



## TECHNICAL GUIDE

### SINGLE PIECE AIR HANDLERS FOR USE WITH SPLIT-SYSTEM COOLING & HEAT PUMPS

MODELS: AHR18 THRU 60\*



Due to continuous product improvement, specifications are subject to change without notice.

Visit us on the web at:

[www.upgnet.com](http://www.upgnet.com) and [www.york.com](http://www.york.com)

Additional rating information can be found at:

[www.ahridirectory.org](http://www.ahridirectory.org)

#### WARRANTY

Standard 5-year limited parts warranty.

**Extended 10-year limited parts warranty when product is registered online within 90 days of purchase for replacement or closing for new home construction.**

## DESCRIPTION

This fan coil line offers the ultimate in application flexibility. This unit may be used for upflow, downflow, horizontal right, or horizontal left applications.

All JCI Unitary Products air handlers and coils use a TXV to provide our customers with the optimum performance and refrigerant control. Air handlers are shipped with "Flex-coils" without a factory installed metering device. For added flexibility, an R-22 or R-410A TXV or orifice can be field installed to meet your refrigerant choice.

## FEATURES

**Thermal Expansion Valve** - Provides the ultimate refrigerant control required for today's high efficient product. The UPG bolt-on TXV provides the added flexibility to convert the air handler to the required refrigerant. The UPG TXV is a true bolt-on which does not require brazing to replace or install.

**Insulated Cabinet** - All air handler cabinets are thermally insulated with 3/4" foil faced insulation to prevent sweating.

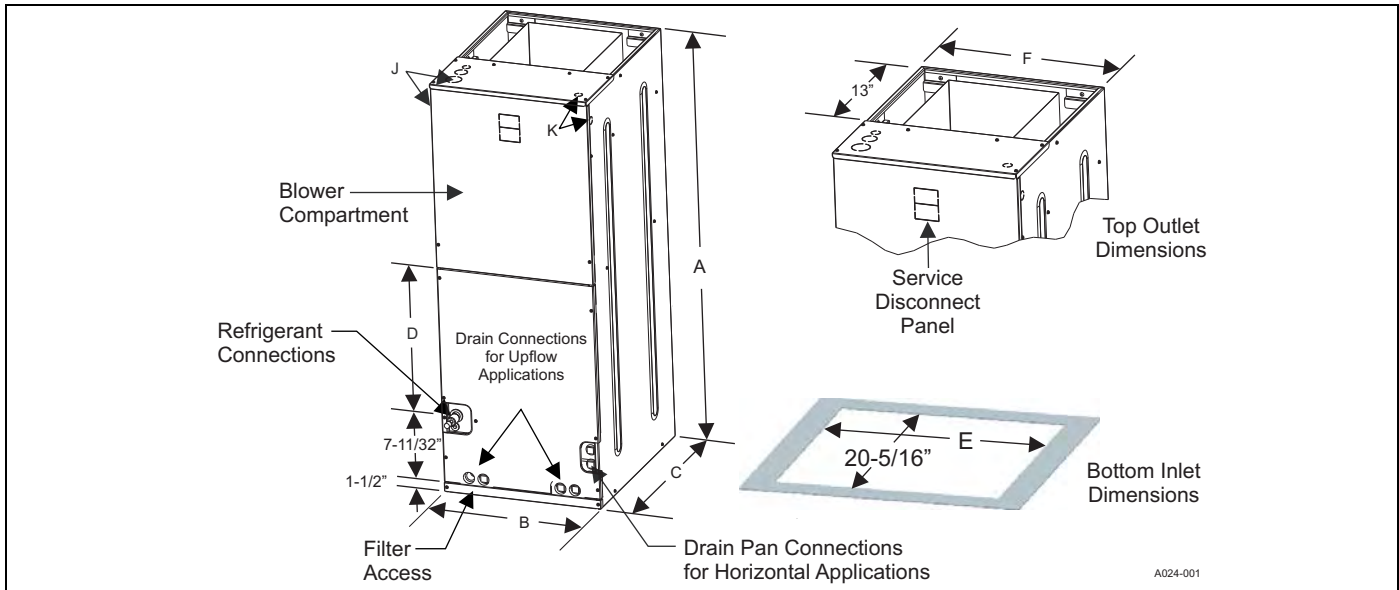
**Factory Sealed** - Achieves 2% or less total airflow leakage rate at duct blaster field test conditions for system airflow verification.

**Durable Finish Inside and Out** - Air handler casings are made of pre-painted galvanized steel which provides a better paint to steel bond that resists corrosion and rust creep. All internal coil sheet metal parts are made of G60 galvanized or prepainted G30 galvanized.

**Filters** - All models have internal filter racks provided for use with 1" thick standard size filters.

**Electric Heat Kits** - 6HK series of field installed electric heat kits are available for installation friendly and easy service applications.

DIMENSIONS & DUCT CONNECTION DIMENSIONS



Dimensions<sup>1</sup>

Models	Dimensions						Wiring Knockouts <sup>2</sup>		Refrigerant Connections Line Size	
	A	B	C	D	E	F	J	K	Liquid	Vapor
	Height	Width	Depth				Power	Control		
AHR18B3XH21	46	17-1/2	21-1/2	16-2	13-29/32	16-1/2	7/8 (1/2) 1-3/8(1) 1-23/32 (1-1/4)	7/8 (1/2)	3/8	3/4
AHR22B3XH21	46	17-1/2		16-2	13-29/32	16-1/2				
AHR24B3XH21	46	17-1/2		16-2	13-29/32	16-1/2				
AHR30B3XH21	46	17-1/2		16-2	13-29/32	16-1/2				
AHR36B3XH21	46	17-1/2		16-2	13-29/32	16-1/2				
AHR29C3XH21	52	21		21-1/2	17-13/32	20				
AHR34C3XH21	52	21		21-1/2	17-13/32	20				
AHR42C3XH21	52	21		21-1/2	17-13/32	20				
AHR48D3XH21	57	24-1/2		26	20-29/32	23-1/2			7/8	
AHR60D3XH21	57	24-1/2	26	20-29/32	23-1/2					

1. All dimensions are in inches.  
2. Actual size (conduit size).

COIL TECHNICAL DATA

Models	Application	Refrig. Conn. Types	Face Area (Sq. Ft.)	Rows Deep	Fins Per In.	Coil Size	Tube Geometry	Tube Dia.	Fin Type
AHR18B	Cooling /Heat Pump	Sweat	3.4	2	14	(2) 14 x 17.5	1 x 0.866	3/8	Enhanced
AHR22B	Cooling /Heat Pump	Sweat	3.9	2	14	(2) 16 x 17.5	1 x 0.866	3/8	Enhanced
AHR24B	Cooling /Heat Pump	Sweat	3.9	3	12	(2) 16 x 17.5	1 x 0.866	3/8	Enhanced
AHR29C	Cooling /Heat Pump	Sweat	4.4	2	14	(2) 18 x 17.5	1 x 0.866	3/8	Enhanced
AHR30B	Cooling /Heat Pump	Sweat	3.9	3	12	(2) 16 x 17.5	1 x 0.866	3/8	Enhanced
AHR34C	Cooling /Heat Pump	Sweat	3.4	3	14	(2) 14 x 17.5	1 x 0.866	3/8	Enhanced
AHR36B	Cooling /Heat Pump	Sweat	4.9	3	12	(2) 20 x 17.5	1 x 0.866	3/8	Enhanced
AHR42C	Cooling /Heat Pump	Sweat	5.4	3	12	(2) 22 x 17.5	1 x 0.866	3/8	Enhanced
AHR48D	Cooling /Heat Pump	Sweat	5.8	3	11	(2) 24 x 17.5	1 x 0.866	3/8	Enhanced
AHR60D	Cooling /Heat Pump	Sweat	6.8	3	12	(2) 28 x 17.5	1 x 0.866	3/8	Enhanced

**COOLING CAPACITY<sup>1</sup>**

Models	Rated CFM <sup>2</sup>	Entering Air Dry/Wet Bulb (°F)	MBH@ Evap. Temp. and Corresponding R-410A Pressure (°F/PSIG)			
			35/107.9	40/118.9	45/130.7	50/143.3
AHR18B	665	85/72	40.7	35.6	30.5	24.1
		80/67	35.0	29.5	23.9	18.6
		75/62	27.9	22.7	18.1	12.4
		70/57	22.1	19.8	16.9	14.1
AHR22B	800	85/72	47.7	42.6	35.3	30.3
		80/67	40.1	34.7	28.9	22.8
		75/62	32.7	27.1	24.7	19.1
		70/57	25.7	23.5	20.5	17.1
AHR24B	740	85/72	47.9	42.4	36.8	29.9
		80/67	40.9	35.2	29.0	22.6
		75/62	33.6	28.0	21.7	15.5
		70/57	26.2	23.0	19.9	16.9
AHR29C	1000	85/72	38.9	35.4	31.6	27.6
		80/67	33.9	30.3	26.8	23.0
		75/62	27.3	23.7	22.5	18.0
		70/57	22.6	20.1	17.5	14.8
AHR30B	1115	85/72	65.8	60.4	50.7	41.5
		80/67	58.0	49.5	39.9	31.2
		75/62	47.1	38.9	30.4	21.1
		70/57	37.1	33.1	28.2	23.9
AHR34C	1000	85/72	35.0	31.8	28.4	24.7
		80/67	32.2	29.1	25.7	22.3
		75/62	26.4	23.4	21.0	17.1
		70/57	21.4	18.6	20.2	12.1
AHR36B	1060	85/72	71.1	62.4	51.5	44.3
		80/67	59.2	51.0	42.0	32.7
		75/62	48.0	39.6	30.8	21.8
		70/57	37.3	32.8	28.3	24.0
	1245	85/72	83.2	66.7	60.1	48.9
		80/67	66.0	59.5	47.8	37.1
		75/62	55.0	45.2	35.5	24.8
		70/57	42.9	38.1	32.6	27.6
AHR42C	1230	85/72	68.2	72.9	62.8	51.6
		80/67	66.3	59.7	48.6	38.4
		75/62	56.4	45.4	36.1	25.5
		70/57	43.7	38.3	33.3	28.3
	1485	85/72	69.8	86.0	74.0	59.1
		80/67	68.5	69.5	56.6	44.2
		75/62	65.3	54.1	42.0	29.8
		70/57	51.0	45.4	39.1	32.8
AHR48D	1320	85/72	87.5	75.9	64.4	51.7
		80/67	71.2	59.9	49.8	37.2
		75/62	56.5	46.6	35.4	23.3
		70/57	43.5	39.5	34.0	28.4
	1610	85/72	102.3	90.1	76.1	60.5
		80/67	83.7	71.5	57.3	43.6
		75/62	67.0	54.0	41.2	27.0
		70/57	50.9	46.6	39.8	33.4

(For notes see page 4.)

**COOLING CAPACITY<sup>1</sup> (Continued)**

Models	Rated CFM <sup>2</sup>	Entering Air Dry/Wet Bulb (°F)	MBH@ Evap. Temp. and Corresponding R-410A Pressure (°F/PSIG)			
			35/107.9	40/118.9	45/130.7	50/143.3
AHR60D	1350	85/72	93.7	82.0	70.0	57.4
		80/67	76.5	65.5	54.1	41.4
		75/62	60.9	50.3	38.4	26.2
		70/57	46.6	41.6	35.5	29.8
	1620	85/72	70.8	96.4	82.4	66.2
		80/67	89.9	76.0	62.8	47.3
		75/62	71.4	58.3	44.8	29.9
		70/57	55.0	48.4	41.9	34.9
	1870	85/72	126.4	110.6	92.8	74.5
		80/67	102.1	86.3	70.0	53.1
		75/62	81.5	65.6	50.0	34.1
		70/57	62.1	55.3	47.1	39.4

- Actual capacity varies with the outdoor AC or HP that is used with the system.
- Airflow is calculated for each system tonnage.

**APPLICATION FACTORS - RATED CFM VS. ACTUAL CFM**

% Of Rated Airflow (CFM)	80%	90%	100%	110%	120%
Capacity Factor	0.96	0.98	1.00	1.02	1.03

**PHYSICAL & ELECTRICAL DATA - COOLING ONLY**

Models	AHR18B	AHR22B	AHR24B	AHR29C	AHR30B	AHR34C	AHR36B	AHR42C	AHR48D	AHR60D	
Blower - Diameter x Width	10 x 8	10 x 8	10 x 8	10 x 10	10 x 8	10 x 10	10 x 8	10 x 10	10X10	10X10	
Motor	HP	1/4 HP	1/3 HP	1/4 HP	1/2 HP	3/4 HP	1/2 HP	3/4 HP	3/4 HP	3/4 HP	
	Nominal RPM	1075	1039	1075	1075	1075	1075	1075	1075	1075	
Voltage	208/230	208/230	208/230	208/230	208/230	208/230	208/230	208/230	208/230	208/230	
Full Load Amps @230V	1.4	2.2	1.4	2.3	3.0	2.3	3.0	3.0	3.0	3.0	
Filter <sup>1</sup>	Type	DISPOSABLE OR PERMANENT									
	Size	16 x 20 x 1	16 x 20 x 1	16 x 20 x 1	20 x 20 x 1	16 x 20 x 1	20 x 20 x 1	16 x 20 x 1	20 x 20 x 1	22 x 20 x 1	22 x 20 x 1
	Permanent Type Kit	1PF0601BK	1PF0601BK	1PF0601BK	1PF0602BK	1PF0601BK	1PF0602BK	1PF0601BK	1PF0602BK	1PF0603BK	1PF0603BK
Shipping / Operating Weight (lbs.)	112/100	112/100	117/102	131/116	117/105	132/117	122/110	148/133	165/147	168/150	

- Field Supplied.

**KW & MBH CONVERSIONS - FOR TOTAL POWER INPUT REQUIREMENT**

For a power distribution voltage that is different than the provided nominal voltage, multiply the kW and MBH data from the table by the conversion factor in the following table.

DISTRIBUTION POWER	NOMINAL VOLTAGE	CONVERSION FACTOR
208V	240V	0.75
220V	240V	0.84
230V	240V	0.92

**ELECTRICAL DATA - COOLING ONLY**

Models	Motor FLA <sup>1</sup>	Minimum Circuit Ampacity	MOP <sup>2</sup>	Minimum Wire Size (AWG) <sup>3</sup>
AHR18B / AHR24B	1.4	1.8	15	14
AHR22B	2.2	2.8	15	14
AHR29C/AHR34C	2.3	2.9	15	14
AHR30B / AHR36B / AHR42C / AHR48D / AHR60D	3.0	3.8	15	14

1. FLA = Full Load Amps
2. MOP = Maximum Overcurrent Protection device; must be HACR type circuit breaker or time delay fuse.
3. 75°C, copper wire only. If wire other than non-plated, 75°C ambient, copper wire is used, consult applicable tables of the NEC and local codes.

**ELECTRICAL HEAT: MINIMUM FAN SPEED**

Heater Kit Models <sup>1,2</sup>	Nom. kW @240V	Air Handler Models									
		AHR18B	AHR22B	AHR24B	AHR29C	AHR30B	AHR34C	AHR36B	AHR42C	AHR48D	AHR60D
6HK(0,1)6500206	2.4kW	Low	Med	Low	Med	Low	Med	Low	Low	Low	Low
6HK(0,1)6500506	4.8kW	Med	Med	Low	Med	Low	Med	Low	Low	Low	Low
6HK(0,1)6500806	7.7kW	Med	High	Med	High	Med	Med	Med	Med	Low	Low
6HK(0,1)6501006 6HK06501025	9.6kW	Med	High	High	High	Med	High	High	Med	Med	Med
6HK(1,2)6501306	12.5kW	-	High	High	High	High	High	High	High	Med	Med
6HK(1,2)6501506 6HK06501525	14.4kW	-	High	High	High	High	High	High	High	Med	Med
6HK(1,2)6501806 6HK06501825	17.3kW	-	-	-	-	-	-	High	-	Med	Med
6HK(1,2)6502006 6HK16502025	19.2kW	-	-	-	-	-	-	High	-	High	High
6HK(1,2)6502506 6HK16502525	24kW	-	-	-	-	-	-	-	-	-	High

1. (0,1) - 0 = no circuit breaker OR 1 = with circuit breaker.
2. (1,2) - 1 = with circuit breaker, no breaker jumper bar OR 2 = with circuit breaker & breaker jumper bar.

**ELECTRIC HEAT PERFORMANCE DATA: 208/230-1-60 & 208/230-3-60**

Heater Models <sup>1,2</sup>		Nominal kW @240V	Total Heat <sup>3</sup>				kW Staging			
			kW		MBH		W1 Only		W1 + W2	
			208V	230V	208V	230V	208V	230V	208V	230V
1PH	6HK(0,1)6500206	2.4	1.8	2.2	6.2	7.5	1.8	2.2	1.8	2.2
	6HK(0,1)6500506	4.8	3.6	4.4	12.3	15.0	3.6	4.4	3.6	4.4
	6HK(0,1)6500806	7.7	5.8	7.1	19.7	24.1	5.8	7.1	5.8	7.1
	6HK(0,1)6501006	9.6	7.2	8.8	24.6	30.1	7.2	8.8	7.2	8.8
	6HK(1,2)6501306	12.5	9.4	11.5	32.0	39.2	3.1	3.8	9.4	11.5
	6HK(1,2)6501506	14.4	10.8	13.2	36.9	45.1	3.6	4.4	10.8	13.2
	6HK(1,2)6501806	17.3	13.0	15.9	44.3	54.2	6.5	7.9	13.0	15.9
	6HK(1,2)6502006	19.2	14.4	17.6	49.2	60.2	7.2	8.8	14.4	17.6
6HK(1,2)6502506	24.0	18.0	22.0	61.5	75.2	7.2	8.8	18.0	22.0	
3PH	6HK06501025	9.6	7.2	8.8	24.6	30.1	7.2	8.8	7.2	8.8
	6HK06501525	14.4	10.8	13.2	36.9	45.1	10.8	13.2	10.8	13.2
	6HK06501825	17.3	13.0	15.9	44.3	54.2	13.0	15.9	13.0	15.9
	6HK16502025	19.2	14.4	17.6	49.2	60.2	7.2	8.8	14.4	17.6
	6HK16502525	24.0	18.0	22.0	61.5	75.2	9.0	11.0	18.0	22.0

1. (0,1) - 0 = no circuit breaker OR 1 = with circuit breaker.
2. (1,2) - 1 = with circuit breaker, no breaker jumper bar OR 2 = with circuit breaker & breaker jumper bar.
3. For different power distributions, see conversion table on Page 4.

## ELECTRICAL DATA FOR SINGLE SOURCE POWER SUPPLY: 208/230-1-60

Air Handler Models	Heater Models <sup>1,2</sup>	Heater Amps @240V	Field Wiring					
			Min. Circuit Ampacity		MOP. <sup>3</sup>		Min Wire Size (AWG) <sup>4</sup>	
			208V	230V	208V	230V	208V	230V
AHR18B	6HK(0,1)6500206	10.0	12.6	14.3	15	15	12	12
	6HK(0,1)6500506	20.0	23.4	26.8	25	30	10	10
	6HK(0,1)6500806	32.0	36.4	41.8	40	45	8	8
	6HK(0,1)6501006	40.0	45.1	51.8	50	60	8	6
AHR22B	6HK(0,1)6500206	10	13.5	15.3	15	20	12	12
	6HK(0,1)6500506	20	24.3	27.8	25	30	10	10
	6HK(0,1)6500806	32	37.3	42.8	40	45	8	8
	6HK(0,1)6501006	40	46.0	52.8	50	60	6	6
	6HK(1,2)6501306	52	59.0	67.8	60	70	6	4
	6HK(1,2)6501506	60	67.7	77.8	70	80	4	4
AHR24B	6HK(0,1)6500206	10.0	12.6	14.3	15	15	12	12
	6HK(0,1)6500506	20.0	23.4	26.8	25	30	10	10
	6HK(0,1)6500806	32.0	36.4	41.8	40	45	8	8
	6HK(0,1)6501006	40.0	45.1	51.8	50	60	8	6
	6HK(1,2)6501306	52.0	58.1	66.8	60	70	6	4
	6HK(1,2)6501506	60.0	66.8	76.8	70	80	4	4
AHR29C AHR34C	6HK(0,1)6500206	10.0	13.8	15.4	15	20	12	12
	6HK(0,1)6500506	20.0	24.6	27.9	25	30	10	10
	6HK(0,1)6500806	32.0	37.6	42.9	40	45	8	8
	6HK(0,1)6501006	40.0	46.3	52.9	50	60	6	6
	6HK(1,2)6501306	52.0	59.3	67.9	60	70	6	4
	6HK(1,2)6501506	60.0	68.0	77.9	70	80	4	4
AHR30B AHR42C	6HK(0,1)6500206	10.0	14.6	16.3	15	20	12	12
	6HK(0,1)6500506	20.0	25.4	28.8	30	30	10	10
	6HK(0,1)6500806	32.0	38.4	43.8	40	45	8	8
	6HK(0,1)6501006	40.0	47.1	53.8	50	60	6	6
	6HK(1,2)6501306	52.0	60.1	68.8	70	70	6	4
	6HK(1,2)6501506	60.0	68.8	78.8	70	80	4	4
AHR36B AHR48D	6HK(0,1)6500206	10.0	14.6	16.3	15	20	12	12
	6HK(0,1)6500506	20.0	25.4	28.8	30	30	10	10
	6HK(0,1)6500806	32.0	38.4	43.8	40	45	8	8
	6HK(0,1)6501006	40.0	47.1	53.8	50	60	8	6
	6HK(1,2)6501306	52.0	60.1	68.8	70	70	6	4
	6HK(1,2)6501506	60.0	68.8	78.8	70	80	4	4
	6HK(1,2)6501806	72.0	81.8	93.8	90	100	4	3
	6HK(1,2)6502006	80.0	90.4	103.8	100	110	3	2
AHR60D	6HK(0,1)6500206	10.0	14.6	16.3	15	20	12	12
	6HK(0,1)6500506	20.0	25.4	28.8	30	30	10	10
	6HK(0,1)6500806	32.0	38.4	43.8	40	45	8	8
	6HK(0,1)6501006	40.0	47.1	53.8	50	60	8	6
	6HK(1,2)6501306	52.0	60.1	68.8	70	70	6	4
	6HK(1,2)6501506	60.0	68.8	78.8	70	80	4	4
	6HK(1,2)6501806	72.0	81.8	93.8	90	100	4	3
	6HK(1,2)6502006	80.0	90.4	103.8	100	110	3	2
	6HK(1,2)6502506	100.0	112.1	128.8	125	150	2	1

- (0,1) - maybe 0 (no circuit breaker) or 1 (with circuit breaker).
- (1,2) maybe 1 (with circuit breaker, no breaker jumper bar) or 2 (with circuit breaker & breaker jumper bar).
- MOP = Maximum Overcurrent Protection device; must be HACR type circuit breaker or time delay fuse.
- Stated sizes are for 75°C, copper wire only. If wire other than non-plated, 75°C ambient, copper wire is used, consult applicable tables of the NEC and local codes.

**ELECTRICAL DATA FOR MULTI-SOURCE POWER SUPPLY: 208/230-1-60**

Air Handlers Models	Heater Models	Total Heater Amps @240V	Min. Circuit Ampacity						MOP <sup>1</sup>						Min. Wire Size (AWG) <sup>2</sup>					
			208V			230V			208V			230V			208V			230V		
			Circuit						Circuit						Circuit					
			1st <sup>3</sup>	2nd	3rd	1st <sup>3</sup>	2nd	3rd	1st <sup>3</sup>	2nd	3rd	1st <sup>3</sup>	2nd	3rd	1st <sup>3</sup>	2nd	3rd	1st <sup>3</sup>	2nd	3rd
AHR22B	6HK16501306	52	21.2	37.6	–	24.4	43.3	–	25	40	–	25	45	–	10	8	–	10	8	–
	6HK16501506	60	22.8	43.3	–	27.8	50.0	–	25	45	–	30	50	–	10	8	–	10	8	–
AHR24B	6HK16501306	52.0	20.6	37.6	–	23.4	43.3	–	25	40	–	25	45	–	10	8	–	10	8	–
	6HK16501506	60.0	23.5	43.3	–	26.8	50.0	–	25	45	–	30	50	–	10	8	–	10	8	–
AHR29C AHR34C	6HK16501306	52.0	21.3	37.6	–	24.5	43.3	–	25	40	–	25	45	–	10	8	–	10	8	–
	6HK16501506	60.0	24.2	43.3	–	27.9	50.0	–	25	45	–	30	50	–	10	8	–	10	8	–
AHR30B AHR42C	6HK16501306	52.0	22.6	37.6	–	25.4	43.3	–	25	40	–	30	45	–	10	8	–	10	8	–
	6HK16501506	60.0	25.5	43.3	–	28.8	50.0	–	30	45	–	30	50	–	10	8	–	10	8	–
AHR36B AHR48D	6HK16501306	52.0	22.6	37.6	–	25.4	43.3	–	25	40	–	30	45	–	10	8	–	10	8	–
	6HK16501506	60.0	25.5	43.3	–	28.8	50.0	–	30	45	–	30	50	–	10	8	–	10	8	–
	6HK16501806	72.0	42.8	39.0	–	48.8	45.0	–	45	40	–	50	45	–	8	8	–	8	8	–
	6HK16502006	80.0	47.1	43.3	–	53.8	50.0	–	50	45	–	60	50	–	8	8	–	6	8	–
AHR60D	6HK16501306	52.0	22.6	37.6	–	25.4	43.3	–	25	40	–	30	45	–	10	8	–	10	8	–
	6HK16501506	60.0	25.5	43.3	–	28.8	50.0	–	30	45	–	30	50	–	10	8	–	10	8	–
	6HK16501806	72.0	42.8	39.0	–	48.8	45.0	–	45	40	–	50	45	–	8	8	–	8	8	–
	6HK16502006	80.0	47.1	43.3	–	53.8	50.0	–	50	45	–	60	50	–	8	8	–	6	8	–
	6HK16502506	100	47.1	43.3	21.7	53.8	50.0	25.0	50	45	25	60	50	25	6	6	10	6	8	10

1. MOP = Maximum Overcurrent Protection device; must be HACR type circuit breaker or time delay fuse.
2. Stated sizes are for 75°C, copper wire only. If wire other than non-plated, 75°C ambient, copper wire is used, consult applicable tables of the NEC and local codes.
3. 1st Circuit includes the blower motor amps.

**ELECTRICAL DATA FOR SINGLE SOURCE POWER SUPPLY - 208/230-3-60**

Air Handler Models	Heater Models	Heater Amps @ 240V	Field Wiring					
			Min. Circuit Ampacity		MOP <sup>1</sup>		Min. Wire Size (AWG) <sup>2</sup>	
			208V	230V	208V	230V	208V	230V
AHR18B	6HK06501025	23.1	26.8	30.7	30	35	10	10
AHR24B	6HK06501025	23.1	26.8	30.7	30	35	10	10
	6HK06501525	34.6	39.2	45.0	40	45	8	8
AHR30B AHR42C	6HK06501025	23.1	28.8	32.7	30	35	10	8
	6HK06501525	34.6	41.2	47.0	45	50	8	8
AHR36B AHR48D	6HK06501025	23.1	28.8	32.7	30	35	10	8
	6HK06501525	34.6	41.2	47.0	45	50	8	8
	6HK06501825	41.6	48.8	55.8	50	60	8	6
	6HK16502025 <sup>3</sup>	46.2	53.8	61.5	60	70	6	6
AHR60D	6HK06501025	23.1	28.8	32.7	30	35	10	8
	6HK06501525	34.6	41.2	47.0	45	50	8	8
	6HK06501825	41.6	48.8	55.8	50	60	8	6
	6HK16502025 <sup>3</sup>	46.2	53.8	61.5	60	70	6	6
	6HK16502525 <sup>3</sup>	57.7	66.3	75.9	70	80	4	4

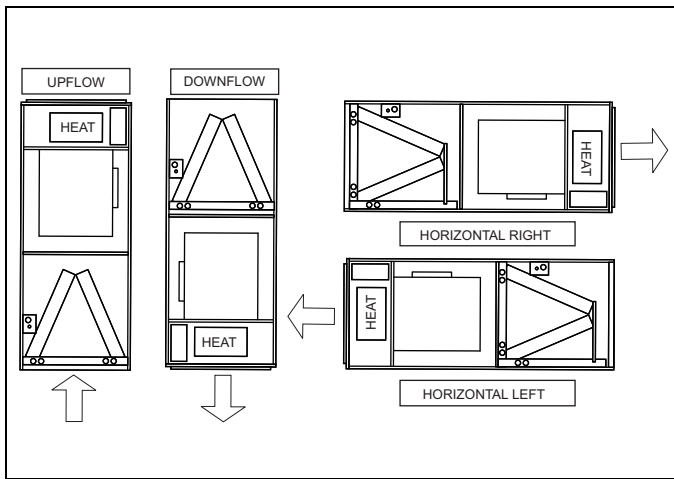
1. MOP = Maximum Overcurrent Protection device; must be HACR type circuit breaker or time delay fuse.
2. Stated sizes are for 75°C, copper wire only. If wire other than non-plated, 75°C ambient, copper wire is used, consult applicable tables of the NEC and local codes.
3. The 20kW and 25kW heater models (6HK16502025 and 6HK16502525) come with circuit breakers standard. Single source power MCA and MOP requirements are given here only for reference if used with field installed single point power modification.

**ELECTRICAL DATA FOR MULTI-SOURCE POWER SUPPLY: 208/230-3-60**

Air Handler Models	Heater Models	Total Heater Amps @ 240V	Min. Circuit Ampacity				MOP <sup>1</sup>				Min. Wire Size (AWG) <sup>2</sup>			
			208V		230V		208V		230V		208V		230V	
			Circuit				Circuit				Circuit			
			1st <sup>3</sup>	2nd	1st <sup>3</sup>	2nd	1st <sup>3</sup>	2nd	1st <sup>3</sup>	2nd	1st <sup>3</sup>	2nd	1st <sup>3</sup>	2nd
AHR36B AHR48D	6HK16502025	46.2	28.8	25.0	32.6	28.9	30	25	35	30	10	10	8	10
AHR60D	6HK16502025	46.2	28.8	25.0	32.6	28.9	30	25	35	30	10	10	8	10
	6HK16502525	57.7	35.0	31.3	39.8	36.1	35	35	40	40	8	8	8	8

1. MOP = Maximum Overcurrent Protection device; must be HACR type circuit breaker or time delay fuse.
2. Stated sizes are for 75°C, copper wire only. If wire other than non-plated, 75°C ambient, copper wire is used, consult applicable tables of the NEC and local codes.
3. 1st Circuit includes the blower motor amps.

**TYPICAL APPLICATIONS**



**ACCESSORIES**

Refer to Price Manual for specific model numbers.  
**TXV Kits** - TXV kits are available for "Flex-coil" applications and converting R22 to R410A or as a service replacement. All kits are bolt-on and require no brazing to install.  
**Electric Heaters** - 6HK models shown under electrical data include sequential operation and temperature dual limit switches for safe, efficient operation. Circuit breakers are provided where shown.

**LIMITATIONS**

These units must be wired and installed in accordance with all national and local safety codes.  
 Voltage limits are as follows:

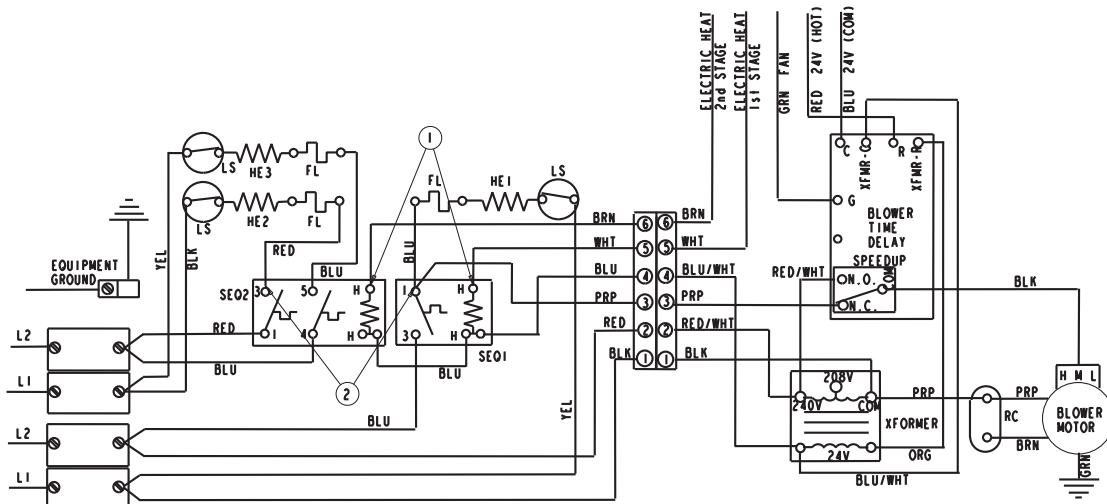
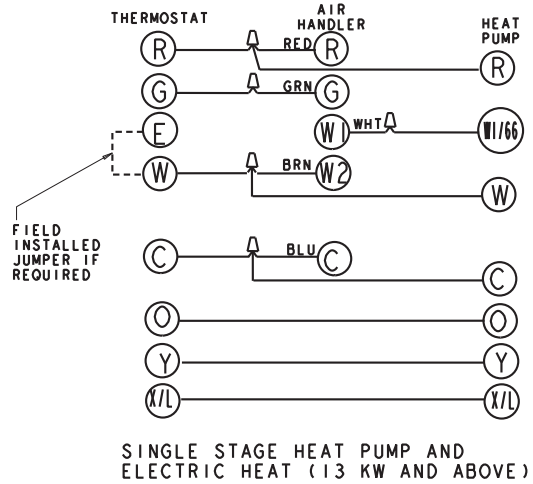
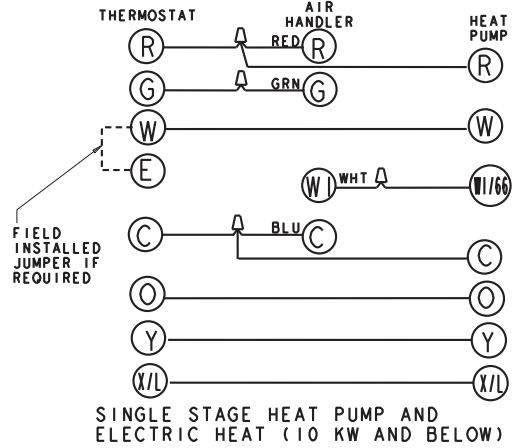
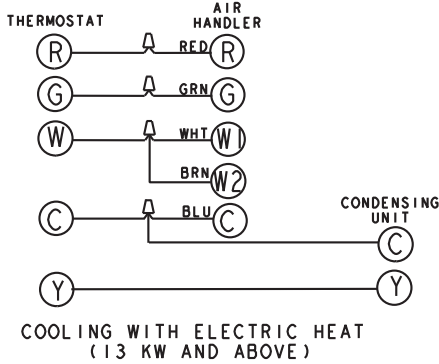
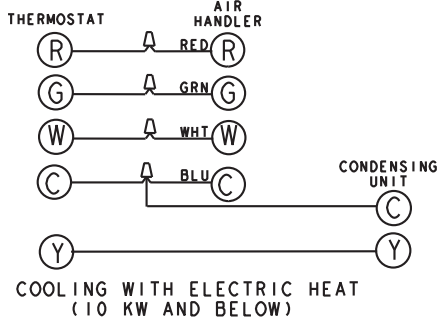
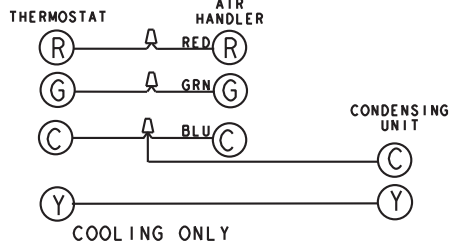
Air Handler Voltage	Voltage code	Normal Operating Voltage Range <sup>1</sup>
208/230-1-60	06	187-253

1. Rated in accordance with ARI Standard 110, utilization range "A".

Airflow must be within the minimum and maximum limits approved for electric heat, evaporator coils and outdoor units.



TYPICAL THERMOSTAT CONNECTIONS



TO CHANGE THE QUANTITY OF HEAT DURING HEAT PUMP DEFROST CYCLE ① REVERSE THE BROWN AND WHITE WIRE CONNECTIONS ON THE SEQUENCERS IN THE HEATER KIT. ② THE PURPLE WIRE MUST BE MOVED FROM #1 ON SEQUENCER 1 TO #3 ON SEQUENCER 2

AIR FLOW DATA (CFM)<sup>1</sup>

Models	Blower Motor Speed	External Static Pressure (in. wc.)						
		0.10	0.20	0.30	0.40	0.50	0.60	0.70
<b>208 Volt</b>								
AHR18B	High	1024	1000	970	930	860	810	NA
	Medium	756	731	700	670	620	550	NA
	Low	557	531	495	445	375	315	195
AHR22B	High	1214	1177	1136	1071	1019	951	828
	Medium	705	684	661	592	548	404	266
	Low	534	512	460	394	261	167	125
AHR24B	High	995	970	935	900	925	795	645
	Medium	820	810	780	745	695	545	485
	Low	715	695	640	405	370	375	220
AHR29C	High	1605	1548	1486	1420	1356	1159	913
	Medium	981	960	921	815	756	697	614
	Low	769	717	654	561	510	451	389
AHR30B	High	1380	1315	1245	1160	1075	990	885
	Medium	1060	1040	1005	955	890	860	820
	Low	1035	980	910	825	770	685	485
AHR34C	High	1496	1423	1328	1217	1105	1041	942
	Medium	976	907	843	815	742	686	582
	Low	729	687	647	602	498	447	366
AHR36B	High	1410	1335	1270	1190	1110	990	820
	Medium	1215	1170	1115	1050	935	850	740
	Low	950	935	895	855	NA	NA	NA
AHR42C	High	1800	1725	1645	1545	1360	1200	1050
	Medium	1535	1480	1415	1280	1155	1010	870
	Low	1225	1195	1095	1025	925	825	680
AHR48D	High	1890	1830	1755	1650	1565	1450	1285
	Medium	1515	1480	1450	1380	1295	1115	985
	Low	1170	1165	1140	1100	965	860	745
AHR60D	High	1911	1841	1757	1668	1564	1439	1233
	Medium	1556	1507	1450	1388	1266	1246	989
	Low	1211	1181	1151	1062	992	911	827
<b>230 Volt</b>								
AHR18B	High	1145	1100	1055	1005	930	845	725
	Medium	755	750	725	665	605	485	435
	Low	680	655	625	585	540	395	300
AHR22B	High	1294	1254	1189	1133	1064	996	907
	Medium	803	785	763	729	645	585	422
	Low	615	600	566	492	447	284	183
AHR24B	High	1305	1285	1225	1175	920	915	835
	Medium	930	920	890	845	705	760	505
	Low	735	730	700	670	545	470	NA
AHR29C	High	1711	1665	1598	1513	1435	1309	1088
	Medium	1134	1111	1068	998	909	813	735
	Low	887	861	792	695	649	576	486
AHR30B	High	1450	1380	1300	1215	1130	1030	910
	Medium	1330	1280	1205	1135	1050	975	780
	Low	1160	1120	1065	1005	930	825	635
AHR34C	High	1579	1511	1399	1273	1145	1068	978
	Medium	1108	1057	987	924	849	770	703
	Low	849	802	756	712	630	527	170
AHR36B	High	1470	1390	1325	1245	1155	1045	880
	Medium	1325	1265	1205	1125	1025	965	840
	Low	1115	1075	1025	950	NA	NA	NA

(For notes see page 11.)

**AIR FLOW DATA (CFM)<sup>1</sup> (Continued)**

Models	Blower Motor Speed	External Static Pressure (in. wc.)						
		0.10	0.20	0.30	0.40	0.50	0.60	0.70
<b>230 Volt</b>								
AHR42C	High	1750	1670	1570	1477	1260	1125	935
	Medium	1590	1520	1435	1277	1150	1010	870
	Low	1330	1280	1200	1083	980	850	NA
AHR48D	High	2005	1940	1850	1755	1650	1530	1405
	Medium	1705	1665	1605	1510	1425	1340	1185
	Low	1355	1330	1300	1245	1170	990	980
AHR60D	High	2034	1955	1858	1753	1640	1522	1296
	Medium	1733	1672	1609	1527	1431	1272	1220
	Low	1388	1359	1313	1255	1133	1004	912

1. Air handler units have been tested to UL 1995 / CSA 22.2 standards up to 0.30" wc. external static pressure. Dry coil conditions only, tested without filters. For optimal performance, external static pressures of 0.2" to 0.5" are recommended. Applications above 0.6" are not recommended. Airflow data shown is from testing performed at 230V. AHE units use a X13 motor, and there is minimal variation of airflow at other distribution voltage values. The above data can be used for airflow at other distribution voltages.

# NOTES