



TECHNICAL GUIDE

AFFINITY SPLIT-SYSTEM HEAT PUMPS

18 SEER – R-410A

MODELS:

YZH024 THRU 060*(C)
(2 THRU 5 NOMINAL
TONS)



Due to continuous product improvement, specifications are subject to change without notice.

Visit us on the web at www.york.com

Additional rating information can be found at www.ahridirectory.org

WARRANTY

Standard 5-year limited parts warranty.

10-year limited compressor warranty.

Premium System Warranty - Limited lifetime compressor when matched with an approved furnace or UPG air handler and coil.

Extended 10-year limited parts warranty when product is registered online within 90 days of purchase for replacement or closing for new home construction.

DESCRIPTION

The 18 SEER Series unit is the outdoor part of a versatile climate system. It is designed with a matching indoor coil component from Johnson Controls Unitary Products. Available for typical applications this climate system is supported with accessories and documents to serve specific functions.

FEATURES

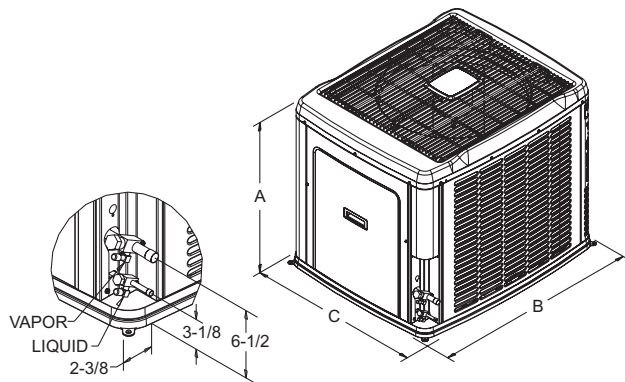
- **Superior Coil Protection** – A stamped decorative metal coil guard completely protects coil from debris and other large damaging material while a polymer mesh further protects the coil against smaller particles.
- **Isolated Compressor Compartment** – A molded composite bulkhead isolates the compressor from the rest of the unit reducing sound and vibration.
- **Protected Compressors** – Each compressor is protected against high and low pressure as well as excessive temperature. This is accomplished by the simultaneous operation of a high pressure relief valve and temperature sensors which protect the compressor if undesirable conditions occur.
- **Environmentally Friendly Refrigerant** – Next generation refrigerant R-410A delivers environmentally friendly performance, with zero ozone depletion.
- **Durable Finish** – Automotive quality finish provides the ultimate protection from harmful U.V. rays as well as rust creep ensuring long-lasting high quality appearance. A powder-paint topcoat is applied over a baked-on primer, using a galvanized, zinc coated steel base material. The result is a finish that has been proven in testing to provide 33% greater durability than conventional powder-coat finishes.
- **Lower Installed Cost** – Designed to provide enhanced installability by featuring a slide-down control compartment allowing easy access to control components along with angled service valves to reduce overall installation time and cost.
- **Low Operating Sound Levels** – A fan design boasting technology adapted from aeronautic and defense engineering provides for whisper quiet operation by allowing airflow to flow smoothly and efficiently across the fan tips.
- **Filter-Drier** – A factory installed, solid core liquid line filter-drier filters harmful debris and moisture from the system.
- **Easy Service Access** – A full end, full service, access panel with handle makes for easy entry to internal components.
- **Long Lasting Operation** – Strong and durable composite base pan provides added strength while resisting rust and corrosion as well as reducing sound and vibration.
- **QuietDrive™ system** - The swept-wing fan, composite base pan, isolated compressor compartment and two-stage compressor are engineered as a system to reduce overall sound to a mere whisper.
- **Complete System Control** – All models utilize the exclusive microprocessor based, on-demand, defrost control system. This system provides optimal comfort, efficiency, and constant monitoring of the entire system for reliable operation. defrost cycles occur only when necessary. an adjustable balance point insures supplemental heat is brought on only when required to meet the space load, for optimum efficiency and reliability.
- In the event improper operating conditions occur (high temperature and/or high pressure), the unit will automatically shut down to protect the refrigeration system, and switch to back-up heat. On-board diagnostic LED's guide the technician to the source of the problem, and an output signal from the control to the thermostat will alert the homeowner. The control also features non-volatile memory, which preserves trouble codes in the event of power loss. An anti-short cycle timer extends the life of the compressor by preventing short-cycling.
- **Agency Listed** - U.L. and C.U.L. listed - approved for outdoor application. The unit is certified in accordance with the Unitary Small Equipment certification program, which is based on ARI Standard 210/240.

Physical and Electrical Data

MODEL		YZH02411(C)	YZH03611(C)	YZH04811(C)	YZH06011(C)
Unit Supply Voltage		208-230V, 1 ϕ , 60Hz			
Normal Voltage Range ¹		187 to 252			
Minimum Circuit Ampacity		18.2	23.6	29.2	34.8
Max. Overcurrent Device Amps ²		30	40	50	60
Min. Overcurrent Device Amps ³		20	25	30	35
Multi-stage Compressor		Yes	Yes	Yes	Yes
Compressor Type		Scroll	Scroll	Scroll	Scroll
Compressor Amps	Rated Load	12.3	16.6	21.1	25.6
	Locked Rotor	52	82	96	118
Crankcase Heater		No	No	No	No
Fan Motor Amps	Rated Load	2.8	2.8	2.8	2.8
Fan Diameter Inches		24	24	24	24
Fan Motor	Rated HP	1/3	1/3	1/3	1/3
	Nominal RPM	685	685	685	685
	Nominal CFM	2,940	2,666	3,376	3,332
Coil	Face Area Sq. Ft.	23.58	23.58	23.58	23.58
	Rows Deep	2	2	2	2
	Fins / Inch	16	16	14	14
Liquid Line Set OD (Field Installed)		3/8	3/8	3/8	3/8
Vapor Line Set OD (Field Installed)		3/4	3/4	7/8	7/8
Unit Charge (Lbs. - Oz.) ⁴		14 - 12	12 - 7	12 - 13	14 - 8
Charge Per Foot, Oz.		0.62	0.62	0.67	0.67
Operating Weight Lbs.		275	275	280	315

1. Rated in accordance with ARI Standard 110, utilization range "A".
2. Dual element fuses or HACR circuit breaker. Maximum allowable overcurrent protection.
3. Dual element fuses or HACR circuit breaker. Minimum recommended overcurrent protection .
4. The Unit Charge is correct for the outdoor unit, matched indoor coil and 15 feet of refrigerant tubing. For tubing lengths other than 15 feet, add or subtract the amount of refrigerant, using the difference in length multiplied by the per foot value.

All dimensions are in inches. They are subject to change without notice. Certified dimensions will be provided upon request.



Unit Model	Dimensions (Inches)			Refrigerant Connection Service Valve Size	
	A	B	C	Liquid	Vapor
024	39-1/2	42	34	3/8"	3/4"
036	39-1/2	42	34		
048	39-1/2	42	34		7/8"
060	39-1/2	42	34		

System Charge for Various Matched Systems				
Outdoor Unit	YZH02411(C)	YZH03611(C)	YZH04811(C)	YZH06011(C)
Approved System Thermal Expansion Valve ¹	1TVM4G1	1TVM4G1	1TVM4H1	1TVM4K1
Factory R-410A Charge, lbs-oz	14 - 12	12 - 7	12 - 13	14 - 8
Indoor Coil ²	TXV Kit ³ - Additional Charge, Oz			
AHX36	0	0	-	-
AHX48	-	9	4	-
AHX60	-	-	7	7
AV*36	0	0	-	-
AV/SV*48	-	9	4	-
AV/SV*60	-	-	4	0
FC/MC/PC37A	0	0	-	-
FC/MC/PC43BC	0	0	-	-
FC/MC/PC48CD	5	5	0	-
FC/MC/PC60CD	9	9	4	0
FC/MC62D	-	16	7	7
FC64D	-	25	15	14
HC42	0	0	-	-
HC60	-	-	4	0
HD48	-	5	0	-
HD60	-	-	4	0

FOOTNOTES:

1. Systems matched with furnace or air handlers not equipped with blower-off delays may require blower Time Delay Kit 2FD06700224.
2. PC coils cannot be used in downflow or horizontal applications. FC coils cannot be used in horizontal applications.
3. A TXV kit must be used with these coils to obtain system performance.

Note: If a TXV is factory installed on the coil, it must be replaced with the listed TXV.

PROCEDURES

1. Unit factory charge listed on the unit nameplate includes refrigerant for the condenser, the smallest evaporator and 15 feet of interconnecting line tubing.
2. Verify the TXV and additional charge required for specific evaporator coil in the system using the above table.
3. Additional charge for the amount of interconnecting line tubing greater than 15 feet at the rate specified in the Physical and Electrical Data Table.
4. Permanently mark the unit nameplate with the total system charge. Total System Charge = Base Charge (as shipped) + adder for evaporator + adder for line set.

COOLING CAPACITY - With Air Handler Coils

UNIT MODEL	AIR HANDLER		COIL ¹ MODEL	COOLING					
	MODEL	W		STAGE	RATED CFM	NET MBH		SEER	EER
						TOTAL	SENSIBLE		
18 SEER HP WITH MV - VARIABLE SPEED									
YZH02411(C)	MV12B	17	FC/MC43B	1	645	18.2	13.5	16.40	13.60
				2	835	23.6	18.8		
	MV12D	24	FC/MC48D	1	645	18.5	14.0	17.00	14.00
				2	835	24.0	19.5		
	MV12D	24	FC/MC60D	1	645	18.5	14.0	17.00	14.00
				2	835	24.0	19.5		
YZH03611(C)	MV16C	21	FC/MC43C	1	775	24.8	18.2	17.10	13.10
				2	1200	35.4	26.6		
	MV16C	21	FC/MC48C	1	775	25.0	18.6	17.30	13.35
				2	1200	35.8	26.8		
	MV12D	24	FC/MC48D	1	845	24.8	18.0	17.35	13.35
				2	1245	35.2	26.2		
	MV12D	24	FC/MC60D	1	845	24.8	18.3	17.50	13.35
				2	1245	35.4	26.4		
	MV12D	24	FC/MC62D	1	845	25.6	19.7	18.00	13.35
				2	1245	36.0	27.8		
	MV12D	24	FC64D	1	780	25.8	19.6	18.20	13.50
				2	1155	36.0	27.6		

For Notes See Page 4.

COOLING CAPACITY - With Air Handler Coils (Continued)

UNIT MODEL	AIR HANDLER		COIL ¹ MODEL	COOLING				SEER	EER
	MODEL	W		STAGE	RATED CFM	NET MBH			
						TOTAL	SENSIBLE		
YZH04811(C)	MV16C	21	FC/MC48C	1	1000	33.4	25.0	16.65	12.20
				2	1600	46.5	35.6		
	MV20D	24	FC/MC48D	1	1045	33.4	25.0	16.30	12.05
				2	1570	46.5	35.6		
	MV20D	24	FC/MC60D	1	1045	33.0	25.0	16.20	12.25
				2	1570	47.0	36.4		
	MV20D	24	FC/MC62D	1	1045	33.8	25.8	17.00	12.50
				2	1570	47.0	36.6		
	MV20D	24	FC64D	1	1075	34.4	26.6	17.40	12.50
				2	1630	47.5	37.8		
YZH06011(C)	MV20D	24	FC/MC60D	1	1175	39.5	27.6	14.75	11.35
				2	1820	57.0	42.0		
	MV20D	24	FC/MC62D	1	1175	41.0	29.8	15.50	11.80
				2	1820	57.0	43.0		
	MV20D	24	FC64D	1	1160	42.0	30.6	16.00	11.80
				2	1855	58.0	44.5		
18 SEER HP WITH AV/SV - VARIABLE SPEED									
YZH02411(C)	AV*36	21	—	1	600	18.1	13.5	16.65	13.70
				2	765	23.4	18.5		
YZH03611(C)	AV*36	21	—	1	830	25.2	19.0	17.45	13.40
				2	1270	35.4	27.4		
	AV/SV*48	24	—	1	910	25.8	20.4	17.65	13.60
				2	1190	35.4	27.0		
YZH04811(C)	AV/SV*48	24	—	1	1135	34.0	26.4	16.75	12.30
				2	1610	47.0	36.4		
	AV/SV*60	24	—	1	1085	33.6	26.0	16.55	12.30
				2	1655	47.0	37.0		
YZH06011(C)	AV/SV*60	24	—	1	1145	40.5	29.0	15.15	11.50
				2	1765	56.5	41.5		
18 SEER HP WITH AHX									
YZH02411(C)	AHX36	21	—	1	505	17.3	12.0	16.65	13.20
				2	820	23.4	18.8		
YZH03611(C)	AHX36	21	—	1	770	24.8	18.4	17.50	13.00
				2	1225	35.0	26.8		
	AHX48	24	—	1	885	26.0	20.4	17.65	13.35
				2	1255	36.0	27.8		
YZH04811(C)	AHX48	24	—	1	1070	33.6	25.6	16.75	12.25
				2	1660	47.0	36.6		
	AHX60	24	—	1	1075	33.6	25.6	16.90	12.10
				2	1680	47.0	37.0		
YZH06011(C)	AHX60	24	—	1	1075	40.5	28.6	15.50	11.30
				2	1905	56.5	43.0		
<p>Rated in accordance with DOE test procedures (Federal Register 12-27-79 and 3-18-88) and ARI Standards 210. Cooling MBH based on 80°F entering air temperature, 50% RH, and rated air flow. EER (Energy Efficiency Ratio) is the total cooling output in BTU's at 95°F outdoor ambient divided by the total electric power in watt-hours at those conditions. SEER (Seasonal Energy Efficiency Ratio) is the total cooling output in BTU's during a normal annual usage period for cooling divided by the total electric power input in watt-hours during the same period.</p>									

1. MC coils available with a factory installed horizontal drain pan. See price pages for specific model number.

— = Not applicable.

COOLING CAPACITY - Upflow, Downflow & Horizontal Furnaces and Coils

UNIT MODEL	FURNACE**		COIL MODEL	COOLING					
	CFM RANGE (Min.-max.)	W		STAGE	RATED CFM	NET MBH		SEER ¹	EER
						TOTAL	SENS.		
YZH02411(C)	450 - 650	21,24	FC/MC/PC48	1	600	17.7	12.9	14.50	12.00
	650 - 1150			2	800	23.2	18.3		
YZH03611(C)	700 - 1000	24	FC/MC62	1	900	25.0	19.5	15.20	12.00
	1000 - 1400			2	1200	35.0	26.4		
	800 - 1000	24	FC64	1	900	25.6	20.4	15.50	12.15
	1000 - 1400			2	1200	35.6	27.4		
YZH04811(C)	1000 - 1400	24	FC/MC62	1	1200	33.4	26.2	14.50	11.50
	1400 - 1800			2	1600	46.0	35.6		
	1000 - 1400	24	FC64	1	1200	34.2	27.2	15.00	11.65
	1400 - 1800			2	1600	46.5	36.6		
YZH06011(C)	1150 - 1550	24	FC/MC62	1	1350	41.0	30.8	14.00	11.20
	1600 - 2000			2	1800	56.0	42.0		
	1150 - 1550	24	FC64	1	1350	42.0	31.8	14.25	11.30
	1600 - 2000			2	1800	57.0	43.0		

1. Requires a 2FD06700224 Blower Time Delay unless a standard furnace is equipped with one.

** Refer to Quick Selection Chart for specific furnace match-up.

COOLING CAPACITY - With High Efficiency Motor Furnaces

UNIT MODEL	FURNACE MODEL	COIL MODEL ¹	W	COOLING					
				STAGE	RATED CFM	NET MBH		SEER	EER
						TOTAL	SENS.		
1 PH 18 SEER AC WITH HIGH EFFICIENCY FURNACES²									
YZH02411(C)	T*(8,L)X*A12	FC/MC/PC37A	14	1	640	18.4	13.9	16.20	13.30
				2	840	24.0	19.4		
	T*(8,L)X*B12	FC/MC/PC43B	17	1	700	18.8	14.6	16.20	13.50
				2	865	24.0	19.7		
	T*(8,L)X*C16	FC/MC/PC43C	21	1	655	18.4	13.9	16.20	13.50
				2	855	24.0	19.4		
	T*9X*B12	FC/MC/PC43B	17	1	645	18.4	13.9	16.30	13.40
				2	800	23.8	19.4		
	T*9X*C16	FC/MC/PC43C	21	1	645	18.4	13.9	16.30	13.40
				2	785	23.8	18.8		
	T*9X*C16	FC/MC/PC48C	21	1	680	18.7	14.4	16.50	13.50
				2	815	24.0	19.3		
	T*(8,L)X*B12	HC42	17	1	650	18.4	14.0	16.15	13.50
				2	855	24.0	18.3		
	T*(8,L)X*C16	HC42	21	1	690	18.6	14.4	17.00	13.50
				2	730	23.2	16.9		
	T*9X*B12	HC42	17	1	625	18.5	13.7	16.00	13.40
				2	790	23.6	17.6		
	T*9X*C16	HC42	21	1	690	18.6	14.4	16.85	13.45
				2	730	23.2	16.9		
T*9X*C16	UC48C	21	1	680	18.5	14.4	16.50	13.50	
			2	815	24.0	19.5			
(Y*(8,L)C/T*8V)*A12	FC/MC/PC37A	14	1	585	18.0	13.0	16.20	13.30	
			2	805	23.4	18.7			
(Y*(8,L)C/T*8V)*B12	FC/MC/PC43B	17	1	515	17.5	12.2	15.70	13.50	
			2	790	23.2	18.3			
(Y*9C/T*9V)*B12	FC/MC/PC43B	17	1	550	17.8	12.6	16.30	13.40	
			2	800	23.4	18.7			

For Notes See Page 12.

COOLING CAPACITY - With High Efficiency Motor Furnaces (Continued)

UNIT MODEL	FURNACE MODEL	COIL MODEL ¹	W	COOLING					
				STAGE	RATED CFM	NET MBH		SEER	EER
						TOTAL	SENS.		
1 PH 18 SEER AC WITH HIGH EFFICIENCY FURNACES²									
YZH02411(C)	(Y*(8,L)C/T*8V)*B12	HC42	17	1	515	17.7	12.3	16.15	13.50
				2	760	23.4	17.2		
	(Y*9C/T*9V)*B12	HC42	17	1	550	17.9	12.7	16.25	13.40
				2	800	23.4	17.5		
YZH03611(C)	T*(8,L)X*A12	FC/MC/PC37A	14	1	810	25.2	19.0	16.70	12.30
				2	1290	35.2	27.4		
	T*(8,L)X*B12	FC/MC/PC43B	17	1	835	25.2	19.0	17.00	12.20
				2	1300	35.2	27.4		
	T*(8,L)X*C16	FC/MC/PC43C	21	1	615	23.6	16.5	16.90	12.80
				2	1175	35.2	26.6		
	T*(8,L)X*C20	FC/MC/PC43C	21	1	780	25.2	19.0	17.30	12.90
				2	1250	35.4	27.6		
	T*9X*B12	FC/MC/PC43B	17	1	775	25.2	19.0	17.00	12.20
				2	1270	35.2	27.4		
	T*9X*C16	FC/MC/PC43C	21	1	695	24.4	17.6	17.10	12.40
				2	1260	35.2	27.2		
	T*9X*C20	FC/MC/PC43C	21	1	810	25.2	18.9	17.30	12.70
				2	1185	35.0	26.4		
	T*(8,L)X*C16	FC/MC/PC48C	21	1	645	24.0	17.0	17.20	12.90
				2	1185	35.6	26.8		
	T*(8,L)X*C20	FC/MC/PC48C	21	1	810	25.4	19.1	17.20	13.00
				2	1270	35.8	27.6		
	T*9X*C16	FC/MC/PC48C	21	1	720	24.8	18.0	17.30	12.70
				2	1280	35.6	27.6		
	T*9X*C20	FC/MC/PC48C	21	1	830	25.4	19.3	17.00	12.40
				2	1205	35.4	26.8		
	T*9X*D20	FC/MC/PC48D	24	1	870	25.8	19.8	17.00	12.40
				2	1240	35.6	27.2		
	T*(8,L)X*C16	FC/PC60C	21	1	650	24.2	17.3	17.30	13.00
				2	1190	35.6	26.8		
	T*(8,L)X*C20	FC/MC/PC60D	21	1	815	25.4	19.2	17.30	12.90
				2	1275	35.8	27.6		
	T*9X*C16	FC/PC60C	21	1	725	24.8	18.2	17.00	12.40
				2	1315	35.8	28.0		
	T*9X*C20	FC/PC60C	21	1	835	25.4	19.5	17.10	12.50
				2	1240	35.6	27.2		
	T*9X*D20	FC/MC/PC60D	24	1	945	26.0	20.8	17.10	12.80
				2	1310	36.0	28.0		
	T*9X*D20	FC/MC62D	24	1	830	25.4	19.5	17.50	13.00
				2	1225	35.8	27.4		
	T*9X*D20	FC64D	24	1	830	26.0	20.2	17.75	13.20
				2	1225	36.0	28.2		
	T*(8,L)X*C16	HC42	21	1	650	23.4	16.6	17.00	12.75
				2	1120	34.6	25.6		
T*(8,L)X*C20	HC42	21	1	820	24.4	18.6	17.15	12.85	
			2	1280	35.0	27.2			
T*9X*C16	HC42	21	1	675	23.4	16.6	16.80	12.40	
			2	1130	34.6	25.6			
T*9X*C20	HC42	21	1	760	24.2	18.0	17.00	12.50	
			2	1245	35.0	26.8			
T*(8,L)X*C16	UC48C	21	1	645	24.0	17.1	17.20	12.80	
			2	1185	35.0	26.8			

For Notes See Page 12.

COOLING CAPACITY - With High Efficiency Motor Furnaces (Continued)

UNIT MODEL	FURNACE MODEL	COIL MODEL ¹	W	COOLING					
				STAGE	RATED CFM	NET MBH		SEER	EER
						TOTAL	SENS.		
1 PH 18 SEER AC WITH HIGH EFFICIENCY FURNACES²									
YZH03611(C)	T*(8,L)X*C20	UC48C	21	1	810	25.2	19.2	17.40	12.90
				2	1270	35.8	27.8		
	T*9X*C16	UC48C	21	1	720	24.6	18.1	17.40	12.70
				2	1280	35.6	27.8		
	T*9X*C20	UC48C	21	1	830	25.2	19.4	17.20	12.50
				2	1205	35.0	26.8		
	T*9X*D20	UC48D	24	1	870	25.6	19.9	17.20	12.50
				2	1240	35.2	27.2		
	T*(8,L)X*C16	UC60C	21	1	650	23.8	16.9	17.00	13.00
				2	1190	35.2	26.6		
	T*(8,L)X*C20	UC60D	21	1	815	25.0	18.9	17.40	12.90
				2	1275	35.4	27.4		
	T*9X*C16	UC60C	21	1	725	24.6	17.9	17.40	12.50
				2	1315	35.4	27.6		
	T*9X*C20	UC60C	21	1	835	25.2	19.2	17.20	12.60
				2	1240	35.2	27.0		
	T*9X*D20	UC60D	24	1	945	25.8	20.4	17.40	12.80
				2	1310	35.6	27.8		
	(Y*(8,L)C/T*8V)*A12	FC/MC/PC37A	14	1	730	24.0	17.0	16.70	12.15
				2	1150	33.6	24.0		
	(Y*(8,L)C/T*8V)*B12	FC/MC/PC43B	17	1	860	24.6	18.1	17.00	12.15
				2	1275	34.6	26.2		
	(Y*(8,L)C/T*8V)*C16	FC/MC/PC43C	21	1	800	25.0	18.8	17.30	12.80
				2	1205	35.2	26.6		
	(Y*(8,L)C/T*8V)*C20	FC/MC/PC43C	21	1	740	24.8	18.1	17.30	12.90
				2	1190	35.2	26.6		
	(Y*9C/T*9V)*B12	FC/MC/PC43B	17	1	815	25.0	18.8	17.00	12.20
				2	1200	34.6	26.2		
	(Y*9C/T*9V)*C16	FC/MC/PC43C	21	1	815	25.2	18.9	17.10	12.40
				2	1240	35.0	26.8		
(Y*9C/T*9V)*C20	FC/MC/PC43C	21	1	780	25.0	18.5	17.30	12.70	
			2	1200	35.0	26.6			
(Y*(8,L)C/T*8V)*C16	FC/MC/PC48C	21	1	725	24.4	18.7	17.30	13.00	
			2	1195	34.8	26.6			
(Y*(8,L)C/T*8V)*C20	FC/MC/PC48C	21	1	715	24.2	17.8	17.20	13.15	
			2	1150	34.8	26.2			
(Y*9C/T*9V)*C16	FC/MC/PC48C	21	1	780	24.4	18.7	17.30	12.70	
			2	1195	34.8	26.6			
(Y*9C/T*9V)*C20	FC/MC/PC48C	21	1	745	24.2	18.0	17.00	12.40	
			2	1305	35.0	27.6			
(Y*(8,L)C/T*8V)*C16	FC/PC60C	21	1	710	24.6	18.9	17.30	13.15	
			2	1185	34.8	26.8			
(Y*(8,L)C/T*8V)*C20	FC/PC60C	21	1	800	24.4	18.6	17.30	13.00	
			2	1215	34.8	27.0			
(Y*9C/T*9V)*C16	FC/PC60C	21	1	810	24.2	18.7	17.00	12.40	
			2	1235	34.4	26.8			
(Y*9C/T*9V)*C20	FC/PC60C	21	1	770	24.2	18.3	17.10	12.50	
			2	1305	35.0	27.8			
(Y*9C/T*9V)*D20	FC/MC/PC60D	24	1	830	24.4	19.0	17.10	12.80	
			2	1225	34.8	27.0			
(Y*9C/T*9V)*D20	FC/MC62D	24	1	835	25.6	19.5	17.50	13.00	
			2	1235	35.8	27.4			

For Notes See Page 12.

COOLING CAPACITY - With High Efficiency Motor Furnaces (Continued)

UNIT MODEL	FURNACE MODEL	COIL MODEL ¹	W	COOLING					
				STAGE	RATED CFM	NET MBH		SEER	EER
						TOTAL	SENS.		
1 PH 18 SEER AC WITH HIGH EFFICIENCY FURNACES²									
YZH03611(C)	(Y*9C/T*9V)*D20	FC64D	24	1	835	26.0	20.2	17.75	13.20
				2	1235	36.0	28.2		
	(Y*(8,L)C/T*8V)*C16	HC42	21	1	800	25.2	18.8	17.30	12.80
				2	1205	35.0	26.6		
	(Y*(8,L)C/T*8V)*C20	HC42	21	1	745	24.8	18.1	17.30	12.90
				2	1190	35.0	26.6		
	(Y*9C/T*9V)*C16	HC42	21	1	815	25.2	18.9	17.10	12.40
				2	1240	34.8	26.4		
	(Y*9C/T*9V)*C20	HC42	21	1	780	25.0	18.5	17.20	12.70
				2	1200	35.0	26.6		
	(Y*(8,L)C/T*8V)*B12	HD48	17	1	750	24.6	18.1	16.80	12.40
				2	1210	34.6	26.2		
	(Y*(8,L)C/T*8V)*C16	HD48	21	1	810	24.8	18.7	17.30	12.80
				2	1210	34.8	26.4		
	(Y*(8,L)C/T*8V)*C20	HD48	21	1	720	24.4	17.8	17.20	12.80
				2	1155	34.4	25.8		
	(Y*9C/T*9V)*B12	HD48	17	1	710	24.4	17.6	16.80	12.10
				2	1150	34.0	25.4		
	(Y*9C/T*9V)*C16	HD48	21	1	780	24.6	18.3	17.10	12.60
				2	1195	34.8	26.4		
	(Y*9C/T*9V)*C20	HD48	21	1	745	24.6	18.1	16.90	12.70
				2	1330	35.8	27.6		
	(Y*(8,L)C/T*8V)*C16	UC48C	21	1	810	25.2	19.2	17.60	12.80
				2	1210	35.0	26.8		
	(Y*(8,L)C/T*8V)*C20	UC48C	21	1	720	24.6	18.1	17.40	12.90
				2	1155	34.8	26.4		
	(Y*9C/T*9V)*C16	UC48C	21	1	780	25.0	18.8	17.40	12.70
				2	1195	34.8	26.8		
(Y*9C/T*9V)*C20	UC48C	21	1	755	24.8	18.4	17.20	12.50	
			2	1330	35.6	28.0			
(Y*(8,L)C/T*8V)*C16	UC60C	21	1	810	25.2	18.8	17.40	13.00	
			2	1195	35.0	26.4			
(Y*(8,L)C/T*8V)*C20	UC60C	21	1	800	25.2	18.8	17.40	12.90	
			2	1215	35.0	26.4			
(Y*9C/T*9V)*C16	UC60C	21	1	810	25.2	18.8	17.40	12.50	
			2	1235	34.8	26.2			
(Y*9C/T*9V)*C20	UC60C	21	1	770	24.8	18.3	17.20	12.60	
			2	1325	35.4	27.6			
(Y*9C/T*9V)*D20	UC60D	24	1	830	25.2	18.8	17.40	12.80	
			2	1225	35.0	26.4			
YZH04811(C)	T*(8,L)X*C16	FC/MC/PC48C	21	1	1115	33.8	25.8	16.60	11.80
				2	1600	46.0	35.4		
	T*(8,L)X*C20	FC/MC/PC48C	21	1	855	32.2	22.8	16.30	11.80
				2	1660	46.5	36.2		
	T*9X*C16	FC/MC/PC48C	21	1	1085	33.8	25.8	16.40	11.70
				2	1565	46.0	35.4		
	T*9X*C20	FC/MC/PC48C	21	1	1215	34.0	26.8	16.50	11.70
				2	1615	46.5	35.8		
	T*9X*D20	FC/MC/PC48D	24	1	1250	34.2	27.2	16.40	11.70
				2	1635	46.5	35.8		

For Notes See Page 12.

COOLING CAPACITY - With High Efficiency Motor Furnaces (Continued)

UNIT MODEL	FURNACE MODEL	COIL MODEL ¹	W	COOLING					
				STAGE	RATED CFM	NET MBH		SEER	EER
						TOTAL	SENS.		
1 PH 18 SEER AC WITH HIGH EFFICIENCY FURNACES²									
YZH04811(C)	T*(8,L)X*C16	FC/PC60C	21	1	1120	33.4	25.6	16.60	12.00
				2	1605	46.5	35.4		
	T*(8,L)X*C20	FC/MC/PC60D	21	1	860	32.2	22.8	16.30	12.00
				2	1595	46.5	35.2		
	T*9X*C16	FC/PC60C	21	1	1085	33.4	25.6	16.30	11.80
				2	1575	46.0	35.4		
	T*9X*C20	FC/PC60C	21	1	1215	33.8	26.6	16.40	11.80
				2	1625	46.5	35.8		
	T*9X*D20	FC/MC/PC60D	24	1	1285	34.4	27.8	16.40	11.80
				2	1490	46.0	34.6		
	T*(8,L)X*C16	FC/MC62D	21	1	1115	33.8	26.0	16.40	11.90
				2	1610	46.5	36.2		
	T*(8,L)X*C20	FC/MC62D	21	1	835	32.2	22.8	16.45	12.50
				2	1665	47.0	37.0		
	T*9X*C16	FC/MC62D	21	1	1085	33.8	26.0	16.40	11.80
				2	1550	46.5	36.2		
	T*9X*C20	FC/MC62D	21	1	1220	34.4	27.2	16.70	12.25
				2	1595	46.5	36.2		
	T*9X*D20	FC/MC62D	24	1	1240	34.4	27.4	16.40	11.90
				2	1610	46.5	36.2		
	T*(8,L)X*C16	FC64D	21	1	1115	34.4	26.8	17.00	12.00
				2	1610	47.0	37.4		
	T*(8,L)X*C20	FC64D	21	1	835	32.8	23.4	16.80	12.50
				2	1665	47.5	38.0		
	T*9X*C16	FC64D	21	1	1085	34.4	26.4	16.75	11.80
				2	1550	47.0	36.6		
	T*9X*C20	FC64D	21	1	1220	35.0	28.2	16.80	12.50
				2	1595	47.0	37.2		
	T*(8,L)X*C20	HC60	21	1	1255	34.6	27.6	16.70	12.10
				2	1665	47.0	36.8		
	T*9X*D20	HC60	24	1	1240	34.6	27.6	16.40	11.90
				2	1645	47.0	36.6		
	T*(8,L)X*C16	UC48C	21	1	1115	33.8	25.8	16.40	11.80
				2	1600	46.5	35.6		
	T*(8,L)X*C20	UC48C	21	1	855	32.2	22.8	16.30	11.80
				2	1515	46.5	35.2		
	T*9X*C16	UC48C	21	1	1085	33.8	25.8	16.30	11.70
				2	1565	46.5	35.6		
	T*9X*C20	UC48C	21	1	1215	34.0	27.0	16.40	11.70
				2	1615	46.5	35.8		
T*9X*D20	UC48D	24	1	1250	34.4	27.4	16.30	11.70	
			2	1635	46.5	36.0			
T*(8,L)X*C16	UC60C	21	1	1120	33.4	25.4	16.40	11.90	
			2	1605	46.0	35.2			
T*(8,L)X*C20	UC60D	21	1	860	31.8	22.6	16.40	11.90	
			2	1540	46.0	35.0			
T*9X*C16	UC60C	21	1	1085	33.4	25.4	16.10	11.70	
			2	1575	46.0	35.0			
T*9X*C20	UC60C	21	1	1215	33.8	26.4	16.20	11.70	
			2	1625	46.5	35.4			
T*9X*D20	UC60D	24	1	1285	34.4	27.8	16.30	11.80	
			2	1490	46.0	34.4			

For Notes See Page 12.

COOLING CAPACITY - With High Efficiency Motor Furnaces (Continued)

UNIT MODEL	FURNACE MODEL	COIL MODEL ¹	W	COOLING					
				STAGE	RATED CFM	NET MBH		SEER	EER
						TOTAL	SENS.		
1 PH 18 SEER AC WITH HIGH EFFICIENCY FURNACES²									
YZH04811(C)	(Y*(8,L)C/T*8V)*C16	FC/MC/PC48C	21	1	1120	33.6	25.0	16.60	11.50
				2	1565	46.0	34.6		
	(Y*(8,L)C/T*8V)*C20	FC/MC/PC48C	21	1	1080	33.6	25.6	16.30	11.80
				2	1640	46.5	35.6		
	(Y*9C/T*9V)*C16	FC/MC/PC48C	21	1	1050	33.4	25.2	16.40	11.70
				2	1590	46.0	35.2		
	(Y*9C/T*9V)*C20	FC/MC/PC48C	21	1	1055	33.6	25.2	16.50	11.70
				2	1655	46.0	35.2		
	(Y*9C/T*9V)*D20	FC/MC/PC48D	24	1	1060	33.6	25.2	16.40	11.70
				2	1645	46.5	35.6		
	(Y*(8,L)C/T*8V)*C16	FC/PC60C	21	1	1025	33.2	24.6	16.35	11.80
				2	1600	46.5	35.0		
	(Y*(8,L)C/T*8V)*C20	FC/PC60C	21	1	1060	33.2	25.0	16.50	11.85
				2	1620	46.5	35.4		
	(Y*9C/T*9V)*C16	FC/PC60C	21	1	1050	33.2	25.2	16.30	11.80
				2	1590	46.5	36.0		
	(Y*9C/T*9V)*C20	FC/PC60C	21	1	1055	33.4	25.4	16.40	11.80
				2	1655	46.5	36.0		
	(Y*9C/T*9V)*D20	FC/MC/PC60D	24	1	1070	33.4	25.6	16.40	11.80
				2	1615	46.5	35.8		
	(Y*(8,L)C/T*8V)*C20	FC/MC62D	21	1	1060	33.0	24.8	16.80	12.00
				2	1620	46.5	36.2		
	(Y*9C/T*9V)*D20	FC/MC62D	24	1	1085	33.6	25.6	17.00	12.00
				2	1630	46.5	36.2		
	(Y*(8,L)C/T*8V)*C16	FC64D	21	1	1025	34.0	25.8	17.00	12.00
				2	1635	47.5	37.6		
	(Y*(8,L)C/T*8V)*C20	FC64D	21	1	1060	34.0	25.6	17.00	12.30
				2	1645	47.0	37.2		
	(Y*9C/T*9V)*C16	FC64D	21	1	1040	34.0	25.8	16.75	11.80
				2	1590	47.0	36.8		
	(Y*9C/T*9V)*C20	FC64D	21	1	1040	34.0	25.8	16.75	11.80
				2	1655	47.0	37.4		
	(Y*9C/T*9V)*D20	FC64D	24	1	1085	34.4	26.6	17.00	12.10
				2	1630	47.0	37.4		
	(Y*(8,L)C/T*8V)*C20	HC60	21	1	1015	33.4	24.8	16.70	12.10
				2	1605	46.5	36.0		
(Y*9C/T*9V)*D20	HC60	24	1	1070	33.2	25.4	16.40	11.90	
			2	1615	46.5	35.8			
(Y*(8,L)C/T*8V)*C16	HD48	21	1	1035	33.2	24.4	16.20	11.70	
			2	1615	46.0	35.0			
(Y*(8,L)C/T*8V)*C20	HD48	21	1	1080	32.4	24.6	16.20	11.70	
			2	1640	46.0	35.0			
(Y*9C/T*9V)*C16	HD48	21	1	1050	33.0	24.4	16.10	11.60	
			2	1590	45.5	34.6			
(Y*9C/T*9V)*C20	HD48	21	1	1055	33.2	24.6	16.20	11.60	
			2	1655	45.5	34.6			
(Y*9C/T*9V)*D20	HD48	24	1	1060	32.2	24.4	16.10	11.60	
			2	1645	45.5	34.8			
(Y*(8,L)C/T*8V)*C16	HD60	21	1	1035	33.4	24.8	16.60	11.80	
			2	1625	46.0	36.0			

For Notes See Page 12.

COOLING CAPACITY - With High Efficiency Motor Furnaces (Continued)

UNIT MODEL	FURNACE MODEL	COIL MODEL ¹	W	COOLING					SEER	EER
				STAGE	RATED CFM	NET MBH				
						TOTAL	SENS.			
1 PH 18 SEER AC WITH HIGH EFFICIENCY FURNACES²										
YZH04811(C)	(Y*(8,L)C/T*8V)*C20	HD60	21	1	1015	33.4	24.8	16.70	12.10	
				2	1605	46.5	36.0			
	(Y*9C/T*9V)*C16	HD60	21	1	1050	33.6	25.0	16.30	11.70	
				2	1590	46.0	35.8			
	(Y*9C/T*9V)*C20	HD60	21	1	1055	33.6	25.0	16.40	11.70	
				2	1655	46.0	35.8			
	(Y*9C/T*9V)*D20	HD60	24	1	1070	33.6	25.2	16.40	11.80	
				2	1615	46.0	35.8			
	(Y*(8,L)C/T*8V)*C16	UC48C	21	1	1035	33.0	25.0	16.40	11.80	
				2	1615	46.5	35.6			
	(Y*(8,L)C/T*8V)*C20	UC48C	21	1	1080	33.6	25.6	16.30	11.80	
				2	1640	46.5	35.6			
	(Y*9C/T*9V)*C16	UC48C	21	1	1050	33.6	25.2	16.30	11.70	
				2	1590	46.5	35.4			
	(Y*9C/T*9V)*C20	UC48C	21	1	1055	33.2	25.2	16.40	11.70	
				2	1655	46.5	35.4			
	(Y*9C/T*9V)*D20	UC48D	24	1	1060	33.0	25.2	16.30	11.70	
				2	1645	46.5	35.4			
	(Y*(8,L)C/T*8V)*C16	UC60C	21	1	1035	33.2	24.6	16.40	11.90	
				2	1625	46.0	35.2			
	(Y*(8,L)C/T*8V)*C20	UC60C	21	1	1015	33.2	24.4	16.60	12.10	
				2	1605	46.5	35.4			
	(Y*9C/T*9V)*C16	UC60C	21	1	1050	33.0	24.6	16.10	11.70	
				2	1590	46.0	35.2			
(Y*9C/T*9V)*C20	UC60C	21	1	1055	33.2	24.8	16.20	11.70		
			2	1655	46.0	35.2				
(Y*9C/T*9V)*D20	UC60D	24	1	1070	33.2	24.8	16.30	11.80		
			2	1615	46.0	35.2				
YZH06011(C)	T*(8,L)X*C20	FC/PC60C	21	1	860	38.0	25.4	14.85	11.60	
				2	1595	55.0	39.5			
	T*9X*D20	FC/MC/PC60D	24	1	1320	41.5	30.8	15.20	11.40	
				2	1730	56.0	41.0			
	T*(8,L)X*C20	FC/MC/PC60D	21	1	905	39.0	26.2	15.00	11.60	
				2	1690	56.0	40.5			
	T*9X*C20	FC/MC/PC60D	21	1	1295	41.0	30.4	15.30	11.30	
				2	1645	55.5	40.0			
	T*(8,L)X*C20	FC/MC62D	21	1	835	38.0	25.6	15.20	11.80	
				2	1665	56.5	41.0			
	T*9X*C20	FC/MC62D	21	1	1220	41.0	30.2	15.20	11.50	
				2	1595	55.5	40.5			
	T*9X*D20	FC/MC62D	24	1	1240	41.0	30.4	15.20	11.50	
				2	1645	56.0	41.0			
	T*(8,L)X*C20	FC64D	21	1	835	39.0	26.4	15.25	12.00	
				2	1665	57.5	43.0			
	T*9X*C20	FC64D	21	1	1220	42.0	31.0	15.75	11.85	
				2	1595	57.0	42.0			
	T*9X*D20	FC64D	24	1	1240	42.0	31.4	15.50	11.60	
				2	1645	57.0	42.0			
	T*(8,L)X*C20	HC60	21	1	1255	41.0	30.4	15.15	11.60	
				2	1665	56.0	41.0			

For Notes See Page 12.

COOLING CAPACITY - With High Efficiency Motor Furnaces (Continued)

UNIT MODEL	FURNACE MODEL	COIL MODEL ¹	W	COOLING					
				STAGE	RATED CFM	NET MBH		SEER	EER
						TOTAL	SENS.		
1 PH 18 SEER AC WITH HIGH EFFICIENCY FURNACES²									
YZH06011(C)	T*9X*D20	HC60	24	1	1240	41.0	30.4	15.20	11.40
				2	1645	56.0	41.0		
	T*(8,L)X*C20	UC60C	21	1	860	38.0	25.4	14.70	11.50
				2	1595	55.0	39.0		
	T*9X*C20	UC60C	21	1	1215	40.5	29.4	15.00	11.20
				2	1625	55.0	39.5		
	T*9X*D20	UC60D	24	1	1320	41.0	30.6	14.90	11.30
				2	1730	55.5	40.5		
	T*(8,L)X*C20	UC60D	21	1	905	38.5	26.2	15.30	11.30
				2	1690	55.5	40.5		
	T*9X*C20	UC60D	21	1	1295	41.0	30.4	15.30	11.30
				2	1645	55.0	40.0		
	(Y*(8,L)C/T*8V)*C20	FC/PC60C	21	1	1060	40.0	27.8	15.30	11.50
				2	1600	55.5	40.0		
	(Y*9C/T*9V)*C20	FC/PC60C	21	1	1055	40.0	28.2	15.20	11.30
				2	1655	55.0	40.0		
	(Y*(8,L)C/T*8V)*C20	FC/MC/PC60D	21	1	1015	40.0	27.8	15.30	11.60
				2	1605	55.5	40.0		
	(Y*9C/T*9V)*C20	FC/MC/PC60D	21	1	1055	40.0	27.8	15.30	11.30
				2	1655	55.0	40.0		
	(Y*9C/T*9V)*D20	FC/MC/PC60D	24	1	1070	40.5	28.4	15.20	11.40
				2	1615	55.0	40.0		
	(Y*(8,L)C/T*8V)*C20	FC/MC62D	21	1	1015	39.5	28.0	14.75	11.30
				2	1600	56.0	40.5		
	(Y*9C/T*9V)*C20	FC/MC62D	21	1	1040	39.5	28.0	15.20	11.40
				2	1655	55.5	40.5		
	(Y*9C/T*9V)*D20	FC/MC62D	24	1	1085	40.5	28.6	15.20	11.50
				2	1630	55.5	40.5		
	(Y*(8,L)C/T*8V)*C20	FC64D	21	1	1060	41.0	28.6	15.55	11.50
				2	1855	57.0	42.0		
	(Y*9C/T*9V)*C20	FC64D	21	1	1040	40.5	28.8	15.40	11.50
				2	1655	56.5	42.0		
	(Y*9C/T*9V)*D20	FC64D	24	1	1085	41.0	29.4	15.55	11.60
				2	1630	57.0	42.0		
	(Y*(8,L)C/T*8V)*C20	HC60	21	1	1015	40.0	27.6	15.15	11.60
				2	1605	55.5	40.0		
(Y*9C/T*9V)*D20	HC60	24	1	1070	40.0	28.2	15.20	11.40	
			2	1615	55.5	40.0			
(Y*(8,L)C/T*8V)*C20	HD60	21	1	1015	39.5	27.6	15.10	11.60	
			2	1605	55.5	40.0			
(Y*9C/T*9V)*C20	HD60	21	1	1055	39.0	27.8	15.10	11.20	
			2	1655	55.0	40.0			
(Y*9C/T*9V)*D20	HD60	24	1	1070	40.0	28.2	15.10	11.40	
			2	1615	55.0	40.0			
(Y*(8,L)C/T*8V)*C20	UC60C	21	1	1015	39.5	27.2	15.00	11.50	
			2	1605	55.0	39.5			
(Y*9C/T*9V)*C20	UC60C	21	1	1055	39.5	27.6	15.00	11.20	
			2	1655	54.5	39.0			
(Y*9C/T*9V)*D20	UC60D	24	1	1070	39.5	27.8	14.90	11.30	
			2	1615	54.5	39.0			

1. MC coils available with a factory installed horizontal drain pan. See price pages for specific model number.

2. Variable speed furnaces have B.O.D (Blower on Delay) standard.

HEATING CAPACITY - With Air Handler

UNIT MODEL	AIR HANDLER MODEL	COIL ¹ MODEL	W	ARI HEATING ²					
				STAGE	RATED CFM	NET MBH		HSPF	COP @ 47°
						47° OD	17° OD		
18 SEER HP WITH MV - VARIABLE SPEED									
YZH02411(C)	MV12B	FC/MC43B	17	1	645	19.3	–	–	4.00
				2	835	24.0	17.0	9.60	4.00
				2	645	24.0	15.2	9.30	3.40
	MV12D	FC/MC48D	24	1	645	19.3	–	–	4.00
				2	835	24.0	16.8	9.80	4.00
				2	645	24.0	15.0	9.50	3.40
	MV12D	FC/MC60D	24	1	645	19.3	–	–	4.00
				2	835	24.0	16.8	9.80	4.00
				2	645	24.0	15.0	9.50	3.40
YZH03611(C)	MV16C	FC/MC43C	21	1	775	26.4	–	–	4.20
				2	1200	36.0	25.8	10.00	4.40
				2	775	36.0	24.0	9.70	3.40
	MV16C	FC/MC48C	21	1	775	26.4	–	–	4.20
				2	1200	36.0	25.8	10.00	4.40
				2	775	36.0	24.0	9.70	3.40
	MV12D	FC/MC48D	24	1	845	26.4	–	–	4.20
				2	1245	36.0	25.8	10.00	4.40
				2	845	36.0	24.0	9.70	3.40
	MV12D	FC/MC60D	24	1	845	26.4	–	–	4.20
				2	1245	36.0	25.8	10.00	4.40
				2	845	36.0	24.0	9.70	3.40
	MV12D	FC/MC62D	24	1	845	26.4	–	–	4.20
				2	1245	36.0	25.8	10.00	4.40
				2	845	36.0	24.0	9.70	3.40
MV12D	FC64D	24	1	780	26.8	–	–	4.28	
			2	1155	35.8	26.0	10.10	4.46	
			2	780	34.4	25.0	9.70	3.40	
YZH04811(C)	MV16C	FC/MC48C	21	1	1000	35.6	–	–	3.60
				2	1600	48.0	32.6	9.30	3.80
				2	1000	38.0	25.4	9.00	3.00
	MV20D	FC/MC48D	24	1	1045	36.0	–	–	3.60
				2	1570	48.0	32.6	9.30	3.80
				2	1045	38.0	25.6	9.00	3.00
	MV20D	FC/MC60D	24	1	1045	36.0	–	–	3.80
				2	1570	48.0	32.4	9.80	4.00
				2	1045	38.5	25.8	9.50	3.20
	MV20D	FC/MC62D	24	1	1045	35.8	–	–	3.80
				2	1570	48.0	32.0	9.80	4.00
				2	1045	38.0	25.0	9.50	3.20
MV20D	FC64D	24	1	1075	35.6	–	–	4.00	
			2	1630	48.0	32.0	9.80	4.06	
			2	1075	38.0	32.0	8.80	3.28	
YZH06011(C)	MV20D	FC/MC60D	24	1	1175	43.0	–	–	3.40
				2	1820	58.0	39.5	9.30	3.80
				2	1175	46.5	27.4	9.00	3.00
	MV20D	FC/MC62D	24	1	1175	43.0	–	–	3.40
				2	1820	58.0	39.0	9.30	3.80
				2	1175	46.0	27.0	9.00	3.00
MV20D	FC64D	24	1	1160	43.5	–	–	3.50	
			2	1855	57.0	39.5	9.30	3.82	
			2	1160	46.0	27.2	8.20	3.06	

For Notes See Page 14.

HEATING CAPACITY - With Air Handler (Continued)

UNIT MODEL	AIR HANDLER MODEL	COIL ¹ MODEL	W	ARI HEATING ²					
				STAGE	RATED CFM	NET MBH		HSPF	COP @ 47°
						47° OD	17° OD		
18 SEER HP WITH AV/SV - VARIABLE SPEED									
YZH02411(C)	AV*36	-	21	1	600	19.2	-	-	3.80
				2	765	24.0	16.9	9.60	4.00
				2	600	24.0	15.1	9.30	3.20
YZH03611(C)	AV*36	-	21	1	830	26.5	-	-	4.20
				2	1270	36.0	26.6	9.60	4.20
				2	830	36.0	24.4	9.30	4.20
	AV/SV*48	-	24	1	910	27.0	-	-	4.60
				2	1190	36.0	26.2	10.00	4.60
				2	910	36.0	24.4	9.70	3.60
YZH04811(C)	AV/SV*48	-	24	1	1135	36.2	-	-	4.00
				2	1610	48.0	32.4	9.80	4.00
				2	1135	38.5	25.6	9.50	3.40
	AV/SV*60	-	24	1	1085	36.0	-	-	4.00
				2	1655	48.0	32.6	9.80	4.00
				2	1085	39.0	25.8	9.50	3.40
YZH06011(C)	AV/SV*60	-	24	1	1145	43.0	-	-	3.60
				2	1765	58.0	39.4	9.30	3.80
				2	1145	46.5	27.2	9.00	3.00
18 SEER HP WITH AHX									
YZH02411(C)	AHX36	-	21	1	505	18.1	-	-	3.52
				2	820	23.0	19.3	9.00	3.80
				2	505	22.2	19.0	8.50	3.00
YZH03611(C)	AHX36	-	21	1	770	26.4	-	-	4.06
				2	1225	35.8	26.6	9.60	4.20
				2	770	35.4	25.2	9.30	3.20
	AHX48	-	24	1	885	27.0	-	-	4.32
				2	1255	36.0	26.4	10.00	4.60
				2	885	36.1	24.9	9.70	3.60
YZH04811(C)	AHX48	-	24	1	1070	36.2	-	-	3.76
				2	1660	48.0	32.6	9.80	4.00
				2	1070	38.0	32.3	9.50	3.40
	AHX60	-	24	1	1075	36.0	-	-	3.76
				2	1680	48.0	32.4	9.80	4.00
				2	1075	38.3	32.1	9.50	3.20
YZH06011(C)	AHX60	-	24	1	1075	43.0	-	-	3.30
				2	1905	57.0	39.5	9.30	3.80
				2	1075	45.8	27.0	9.00	3.00

Rated in accordance with DOE test procedures (Federal Register 12-27-79 and 3-18-88) and ARI Standards 210.

Cooling MBH based on 80°F entering air temperature, 50% RH, and rated air flow.

EER (Energy Efficiency Ratio) is the total cooling output in BTU's at 95°F outdoor ambient divided by the total electric power in watt-hours at those conditions.

SEER (Seasonal Energy Efficiency Ratio) is the total cooling output in BTU's during a normal annual usage period for cooling divided by the total electric power input in watt-hours during the same period.

1. Rated CFM same as for cooling.

2. Heating MBH based on ARI standards of 70° DB entering indoor air, 72% RH outdoor air with 25 feet of interconnecting piping and no supplemental electric heat operation.

CP equals MBH output divided by (total KW input x 3.412).

HSPF (Heating Seasonal Performance Factor) is the total heating output during a normal annual usage period for heating divided by the total electric power input during the same period.

— = Not Applicable.

** Refer to Quick Selection Chart for specific furnace match-up.

HEATING PERFORMANCE - Upflow, Downflow, and Horizontal Furnaces and Coils

UNIT MODEL*	COIL ¹ MODEL	W	ARI HEATING ²					
			STAGE	RATED CFM	NET MBH		HSPF	COP @ 47
					47 OD	17 OD		
YZH02411(C)	FC/MC/PC48	14,17,21	1	600	19.2	—	—	2.98
			2	800	24.0	16.0	7.80	3.24
			2	600	23.6	14.9	7.60	3.04
YZH03611(C)	FC/MC62	21,24	1	900	24.6	—	—	3.50
			2	1200	33.6	21.4	8.00	3.52
			2	900	30.2	20.0	7.35	3.32
	FC64	24	1	900	28.00	—	—	4.04
			2	1200	36.00	27.00	9.3	4.18
			2	900	37.14	25.76	7.8	3.37
YZH04811(C)	FC/MC62	21,24	1	1200	32.8	—	—	3.52
			2	1600	48.0	28.2	8.50	3.84
			2	1200	46.5	27.6	7.25	3.80
	FC64	24	1	1200	37.40	—	—	3.74
			2	1600	48.00	33.00	9.4	3.88
			2	1200	39.22	33.26	8.4	3.22
YZH06011(C)	FC/MC62	24	1	1350	40.0	—	—	3.24
			2	1800	57.0	33.4	8.50	3.82
			2	1350	51.5	30.6	7.85	3.26
	FC64	24	1	1350	44.50	—	—	3.40
			2	1800	57.00	40.00	9.0	3.72
			2	1350	47.34	28.00	7.9	3.10

1. Rated CFM same as for cooling.

2. Heating MBH based on ARI standards of 70° DB entering indoor air, 72% RH outdoor air with 25 feet of interconnecting piping and no supplemental electric heat operation.

CP equals MBH output divided by (total KW input x 3.412).

HSPF (Heating Seasonal Performance Factor) is the total heating output during a normal annual usage period for heating divided by the total electric power input during the same period.

— = Not Applicable.

HEATING CAPACITY - With High Efficiency Motor Furnaces

UNIT MODEL	FURNACE MODEL	COIL MODEL ¹	W	ARI HEATING ²					
				STAGE	RATED CFM	NET MBH		HSPF	COP @ 47
						47 OD	17 OD		
18 SEER HP WITH HIGH EFFICIENCY FURNACES³									
YZH02411(C)	T*(8,L)X*A12	FC/MC/PC37A	14	1	640	18.2	—	—	3.82
				2	840	22.8	18.9	9.30	3.84
				2	640	22.4	18.6	8.90	3.22
	T*(8,L)X*B12	FC/MC/PC43B	17	1	700	18.4	—	—	3.68
				2	865	22.8	18.9	9.60	3.84
				2	700	22.5	18.6	9.40	3.07
	T*(8,L)X*C16	FC/MC/PC43C	21	1	655	18.2	—	—	3.68
				2	855	22.8	18.9	9.60	3.84
				2	655	22.4	18.6	9.40	3.07
	T*9X*B12	FC/MC/PC43B	17	1	645	18.2	—	—	3.76
				2	800	22.8	18.9	9.25	3.86
				2	645	22.4	18.6	8.90	3.16
	T*9X*C16	FC/MC/PC43C	21	1	645	18.2	—	—	3.76
				2	785	22.6	18.9	9.25	3.86
				2	645	22.5	18.7	8.90	3.16
	T*9X*C16	FC/MC/PC48C	21	1	680	18.3	—	—	4.00
				2	815	22.6	18.8	9.40	4.00
				2	680	22.5	18.6	8.70	3.40
	T*(8,L)X*B12	HC42	17	1	650	20.4	—	—	3.68
				2	855	24.0	9.9	9.60	3.84
				2	650	24.2	10.0	8.85	3.06
	T*(8,L)X*C16	HC42	21	1	690	20.0	—	—	3.60
				2	730	24.0	10.1	9.80	3.92
				2	690	23.3	9.8	8.90	3.54
	T*9X*B12	HC42	17	1	625	19.7	—	—	3.76
				2	790	24.0	10.1	9.50	3.92
				2	625	23.3	9.8	8.75	3.16
	T*9X*C16	HC42	21	1	690	20.0	—	—	3.70
				2	730	24.0	10.1	9.60	3.92
				2	690	23.3	9.8	8.80	3.10
	T*9X*C16	UC48C	21	1	680	18.6	—	—	4.00
				2	815	22.8	18.7	9.40	4.00
				2	680	22.8	18.5	8.70	3.40
	(Y*(8,L)C/T*8V)*A12	FC/MC/PC30A	14	1	590	18.9	—	—	3.76
				2	805	24.0	10.1	9.40	3.76
				2	590	23.6	9.4	9.20	3.17
	(Y*(8,L)C/T*8V)*B12	FC/MC/PC30B	17	1	565	18.9	—	—	3.80
				2	815	23.8	10.1	9.60	3.80
				2	565	23.5	9.4	9.40	3.20
	(Y*(8,L)C/T*8V)*A12	FC/MC/PC37A	14	1	585	19.2	—	—	3.82
				2	805	24.2	10.2	9.30	3.84
				2	585	23.7	9.4	9.20	3.22
(Y*(8,L)C/T*8V)*B12	FC/MC/PC43B	17	1	515	18.8	—	—	3.68	
			2	790	24.0	9.8	9.50	3.84	
			2	515	23.4	9.3	9.40	3.06	
(Y*9C/T*9V)*B12	FC/MC/PC43B	17	1	550	19.0	—	—	3.76	
			2	800	24.0	10.1	9.50	3.86	
			2	550	23.5	9.4	9.30	3.16	
(Y*(8,L)C/T*8V)*B12	HC42	17	1	515	19.7	—	—	3.68	
			2	760	24.0	9.8	9.60	3.84	
			2	515	24.0	9.8	8.85	3.06	

For Notes See Page 27.

HEATING CAPACITY - With High Efficiency Motor Furnaces (Continued)

UNIT MODEL	FURNACE MODEL	COIL MODEL ¹	W	ARI HEATING ²					
				STAGE	RATED CFM	NET MBH		HSPF	COP @ 47
						47 OD	17 OD		
18 SEER HP WITH HIGH EFFICIENCY FURNACES³									
YZH02411(C)	(Y*9C/T*9V)*B12	HC42	17	1	550	19.5	—	—	3.76
				2	800	24.0	10.0	9.50	3.92
				2	550	23.3	9.7	8.75	3.16
YZH03611(C)	T*(8,L)X*A12	FC/MC/PC37A	14	1	810	26.6	—	—	3.70
				2	1290	36.0	26.8	9.60	3.90
				2	810	35.6	25.1	9.20	2.95
	T*(8,L)X*B12	FC/MC/PC43B	17	1	835	26.6	—	—	3.88
				2	1300	36.0	26.8	9.40	4.08
				2	835	35.6	25.1	9.20	3.12
	T*(8,L)X*C16	FC/MC/PC43C	21	1	615	26.0	—	—	4.00
				2	1175	35.6	26.4	9.70	4.20
				2	615	34.4	25.1	9.30	3.23
	T*(8,L)X*C20	FC/MC/PC43C	21	1	780	26.8	—	—	3.92
				2	1250	36.0	26.6	9.80	4.24
				2	780	35.6	25.2	9.40	3.14
	T*9X*B12	FC/MC/PC43B	17	1	775	26.6	—	—	3.96
				2	1270	36.0	26.8	9.40	4.08
				2	775	35.6	25.1	9.00	3.22
	T*9X*C16	FC/MC/PC43C	21	1	695	26.4	—	—	3.92
				2	1260	36.0	26.8	9.60	4.16
				2	695	35.4	25.0	9.00	3.20
	T*9X*C20	FC/MC/PC43C	21	1	810	26.8	—	—	3.90
				2	1185	35.8	26.6	9.70	4.20
				2	810	35.6	25.2	3.20	3.12
	T*(8,L)X*C16	FC/MC/PC48C	21	1	645	26.4	—	—	3.80
				2	1185	35.6	26.4	9.90	4.22
				2	645	35.0	25.1	9.30	2.97
	T*(8,L)X*C20	FC/MC/PC48C	21	1	810	26.8	—	—	3.68
				2	1270	36.0	26.4	9.90	4.00
				2	810	35.9	25.3	9.40	3.10
	T*9X*C16	FC/MC/PC48C	21	1	720	26.6	—	—	3.78
				2	1280	36.0	26.6	9.80	4.18
				2	720	35.8	25.1	8.45	3.12
	T*9X*C20	FC/MC/PC48C	21	1	830	27.0	—	—	3.72
				2	1205	36.0	26.6	9.60	4.20
				2	830	35.9	25.3	9.10	3.15
	T*9X*D20	FC/MC/PC48D	24	1	870	26.8	—	—	3.72
				2	1240	36.0	26.4	9.60	4.20
				2	870	36.0	25.3	9.10	3.15
T*(8,L)X*C16	FC/PC60C	21	1	650	26.4	—	—	3.84	
			2	1190	35.6	26.2	10.00	4.24	
			2	650	35.2	24.9	9.30	3.00	
T*(8,L)X*C20	FC/MC/PC60D	21	1	815	27.0	—	—	3.84	
			2	1275	36.0	26.4	9.90	4.34	
			2	815	35.9	25.1	9.40	3.28	
T*9X*C16	FC/PC60C	21	1	725	26.6	—	—	3.80	
			2	1315	36.0	26.6	9.70	4.18	
			2	725	35.5	24.8	9.10	3.15	
T*9X*C20	FC/PC60C	21	1	835	27.0	—	—	3.80	
			2	1240	36.0	26.4	9.70	4.22	
			2	835	35.9	25.1	9.20	3.25	

For Notes See Page 27.

HEATING CAPACITY - With High Efficiency Motor Furnaces (Continued)

UNIT MODEL	FURNACE MODEL	COIL MODEL ¹	W	ARI HEATING ²					
				STAGE	RATED CFM	NET MBH		HSPF	COP @ 47
						47 OD	17 OD		
18 SEER HP WITH HIGH EFFICIENCY FURNACES³									
YZH03611(C)	T*9X*D20	FC/MC/PC60D	24	1	945	27.0	–	–	3.86
				2	1310	36.0	26.4	9.90	4.22
				2	945	36.0	25.1	9.20	3.32
	T*9X*D20	FC/MC62D	24	1	830	26.4	–	–	4.12
				2	1225	36.0	25.8	9.80	4.32
				2	830	36.0	24.1	9.40	3.30
	T*9X*D20	FC64D	24	1	830	27.0	–	–	4.30
				2	1225	36.0	26.2	9.85	4.42
				2	830	34.4	25.0	9.40	3.46
	T*(8,L)X*C16	HC42	21	1	650	26.0	–	–	3.82
				2	1120	35.4	26.2	9.70	4.20
				2	650	34.4	24.8	9.15	3.00
	T*(8,L)X*C20	HC42	21	1	820	26.8	–	–	3.92
				2	1280	35.8	26.4	9.80	4.22
				2	820	35.4	25.0	9.35	3.14
	T*9X*C16	HC42	21	1	675	26.0	–	–	3.82
				2	1130	35.4	26.2	9.50	4.12
				2	675	34.4	24.8	8.95	3.00
	T*9X*C20	HC42	21	1	760	26.6	–	–	4.00
				2	1245	35.8	26.4	9.65	4.18
				2	760	35.2	25.0	9.10	3.18
	T*(8,L)X*C16	UC48C	21	1	645	27.0	–	–	4.04
				2	1185	35.8	26.2	9.90	4.38
				2	645	35.0	25.4	9.60	3.16
	T*(8,L)X*C20	UC48C	21	1	810	27.4	–	–	4.10
				2	1270	36.0	26.4	10.00	4.36
				2	810	36.0	25.3	9.75	3.29
	T*9X*C16	UC48C	21	1	720	27.2	–	–	4.20
				2	1280	36.0	26.6	9.80	4.34
				2	720	36.0	25.3	8.65	3.32
	T*9X*C20	UC48C	21	1	830	27.4	–	–	4.12
				2	1205	36.0	26.4	9.60	4.34
				2	830	36.0	25.3	8.50	3.32
	T*9X*D20	UC48D	24	1	870	27.4	–	–	4.12
				2	1240	36.0	26.4	9.60	4.34
				2	870	36.0	25.2	8.50	3.32
	T*(8,L)X*C16	UC60C	21	1	650	26.6	–	–	3.96
				2	1190	35.8	25.8	10.00	4.36
				2	650	35.0	24.8	9.60	3.14
	T*(8,L)X*C20	UC60D	21	1	815	27.0	–	–	3.96
				2	1275	36.0	26.0	10.00	4.36
				2	815	36.0	25.0	9.60	3.14
	T*9X*C16	UC60C	21	1	725	26.8	–	–	4.12
				2	1315	36.0	26.2	9.70	4.26
				2	725	35.0	24.8	8.60	3.28
	T*9X*C20	UC60C	21	1	835	27.0	–	–	4.08
				2	1240	36.0	26.0	9.70	4.34
				2	835	36.0	25.0	8.60	3.30
T*9X*D20	UC60D	24	1	945	27.0	–	–	4.14	
			2	1310	36.0	26.0	9.80	4.32	
			2	945	36.0	24.9	9.50	3.36	

For Notes See Page 27.

HEATING CAPACITY - With High Efficiency Motor Furnaces (Continued)

UNIT MODEL	FURNACE MODEL	COIL MODEL ¹	W	ARI HEATING ²					
				STAGE	RATED CFM	NET MBH		HSPF	COP @ 47
						47 OD	17 OD		
18 SEER HP WITH HIGH EFFICIENCY FURNACES³									
YZH03611(C)	(Y*(8,L)C/T*8V)*A12	FC/MC/PC37A	14	1	730	26.0	–	–	3.70
				2	1150	35.6	26.4	9.35	3.90
				2	730	35.2	24.6	8.85	2.95
	(Y*(8,L)C/T*8V)*B12	FC/MC/PC43B	17	1	860	26.2	–	–	3.88
				2	1275	36.4	27.0	9.30	4.08
				2	860	35.5	24.7	8.80	3.12
	(Y*(8,L)C/T*8V)*C16	FC/MC/PC43C	21	1	800	26.4	–	–	4.00
				2	1205	36.0	26.6	9.70	4.20
				2	800	35.7	24.9	9.30	3.23
	(Y*(8,L)C/T*8V)*C20	FC/MC/PC43C	21	1	740	26.2	–	–	3.92
				2	1190	36.0	26.4	9.75	4.22
				2	740	35.5	24.7	9.40	3.15
	(Y*9C/T*9V)*B12	FC/MC/PC43B	17	1	815	26.6	–	–	3.96
				2	1200	36.2	27.0	9.40	4.08
				2	815	35.8	25.1	9.00	3.23
	(Y*9C/T*9V)*C16	FC/MC/PC43C	21	1	725	26.8	–	–	3.80
				2	1195	36.0	26.6	9.80	4.22
				2	725	35.6	25.4	9.30	3.28
	(Y*9C/T*9V)*C20	FC/MC/PC43C	21	1	715	26.6	–	–	3.68
				2	1150	35.8	26.4	9.85	4.18
				2	715	35.3	25.3	9.40	3.13
	(Y*(8,L)C/T*8V)*C16	FC/MC/PC48C	21	1	725	26.8	–	–	3.80
				2	1195	36.0	26.8	9.90	4.22
				2	725	35.6	25.4	9.30	3.28
	(Y*(8,L)C/T*8V)*C20	FC/MC/PC48C	21	1	715	26.6	–	–	3.68
				2	1150	35.8	26.4	9.85	4.18
				2	715	35.3	25.3	9.40	3.13
	(Y*9C/T*9V)*C16	FC/MC/PC48C	21	1	780	27.2	–	–	3.78
				2	1195	36.4	27.0	9.80	4.18
				2	780	35.6	25.4	9.20	3.28
	(Y*9C/T*9V)*C20	FC/MC/PC48C	21	1	745	27.0	–	–	3.72
				2	1305	36.6	27.0	9.60	4.20
				2	745	35.1	25.0	9.10	3.17
	(Y*(8,L)C/T*8V)*C16	FC/PC60C	21	1	710	27.0	–	–	3.84
				2	1185	35.8	26.4	9.90	4.24
				2	710	35.5	25.0	9.30	3.32
(Y*(8,L)C/T*8V)*C20	FC/PC60C	21	1	800	27.0	–	–	3.84	
			2	1215	36.0	26.4	9.80	4.24	
			2	800	35.6	24.9	9.40	3.29	
(Y*9C/T*9V)*C16	FC/PC60C	21	1	810	27.2	–	–	3.80	
			2	1235	36.4	27.0	9.70	4.18	
			2	810	35.6	25.0	9.10	3.30	
(Y*9C/T*9V)*C20	FC/PC60C	21	1	770	26.8	–	–	3.80	
			2	1305	36.6	26.8	9.70	4.22	
			2	770	35.4	24.9	9.20	3.25	
(Y*9C/T*9V)*D20	FC/MC/PC60D	24	1	830	27.0	–	–	3.86	
			2	1225	36.2	26.8	9.90	4.22	
			2	830	35.7	25.2	9.20	3.32	
(Y*9C/T*9V)*D20	FC/MC62D	24	1	835	26.4	–	–	4.12	
			2	1235	36.2	26.0	9.80	4.32	
			2	835	36.1	24.1	9.40	3.35	

For Notes See Page 27.

HEATING CAPACITY - With High Efficiency Motor Furnaces (Continued)

UNIT MODEL	FURNACE MODEL	COIL MODEL ¹	W	ARI HEATING ²					
				STAGE	RATED CFM	NET MBH		HSPF	COP @ 47
						47 OD	17 OD		
18 SEER HP WITH HIGH EFFICIENCY FURNACES³									
YZH03611(C)	(Y*9C/T*9V)*D20	FC64D	24	1	835	27.0	–	–	4.30
				2	1235	36.0	26.4	9.85	4.42
				2	835	34.1	25.0	9.40	3.46
	(Y*(8,L)C/T*8V)*C16	HC42	21	1	800	26.4	–	–	4.00
				2	1205	36.0	26.6	9.80	4.20
				2	800	35.7	24.9	9.30	3.23
	(Y*(8,L)C/T*8V)*C20	HC42	21	1	745	26.2	–	–	3.92
				2	1190	35.8	26.4	9.80	4.22
				2	745	35.5	24.6	9.40	3.14
	(Y*9C/T*9V)*C16	HC42	21	1	815	26.4	–	–	3.96
				2	1240	36.2	26.8	9.50	4.12
				2	815	35.8	25.0	9.00	3.21
	(Y*9C/T*9V)*C20	HC42	21	1	780	26.4	–	–	4.00
				2	1200	36.0	26.6	9.70	4.20
				2	780	35.7	24.9	9.30	3.23
	(Y*(8,L)C/T*8V)*B12	HD48	17	1	750	25.2	–	–	3.36
				2	1210	35.6	25.8	9.40	3.76
				2	750	34.7	23.6	8.90	2.67
	(Y*(8,L)C/T*8V)*C16	HD48	21	1	810	25.2	–	–	3.52
				2	1210	35.4	25.6	9.60	3.84
				2	810	34.9	23.7	9.10	2.79
	(Y*(8,L)C/T*8V)*C20	HD48	21	1	720	25.0	–	–	3.32
				2	1155	35.2	25.4	9.70	3.78
				2	720	34.5	23.4	9.10	2.61
	(Y*9C/T*9V)*B12	HD48	17	1	710	25.0	–	–	3.26
				2	1150	35.6	25.8	9.30	3.66
				2	710	34.5	23.5	8.90	2.58
	(Y*9C/T*9V)*C16	HD48	21	1	780	25.2	–	–	3.52
				2	1195	35.4	25.6	9.50	3.80
				2	780	35.0	23.7	9.00	2.79
	(Y*9C/T*9V)*C20	HD48	21	1	745	25.4	–	–	3.30
				2	1330	35.8	26.0	9.40	3.88
				2	745	35.3	23.7	9.20	2.61
	(Y*(8,L)C/T*8V)*C16	UC48C	21	1	810	26.8	–	–	4.24
				2	1210	36.2	26.4	9.90	4.38
				2	810	36.5	25.0	9.60	3.42
	(Y*(8,L)C/T*8V)*C20	UC48C	21	1	720	26.6	–	–	4.10
				2	1155	36.0	26.4	10.00	4.36
				2	720	36.5	25.0	9.80	3.29
	(Y*9C/T*9V)*C16	UC48C	21	1	780	26.8	–	–	4.22
				2	1195	36.2	26.6	9.80	4.34
				2	780	36.6	25.0	9.60	3.42
(Y*9C/T*9V)*C20	UC48C	21	1	755	27.0	–	–	4.12	
			2	1330	36.6	26.8	9.60	4.34	
			2	755	36.8	25.2	8.50	3.32	
(Y*(8,L)C/T*8V)*C16	UC60C	21	1	810	26.4	–	–	4.16	
			2	1195	36.0	26.0	10.00	4.36	
			2	810	36.4	24.7	9.60	3.40	
(Y*(8,L)C/T*8V)*C20	UC60C	21	1	800	26.4	–	–	4.16	
			2	1215	36.0	26.0	9.90	4.36	
			2	800	36.4	24.7	9.60	3.41	

For Notes See Page 27.

HEATING CAPACITY - With High Efficiency Motor Furnaces (Continued)

UNIT MODEL	FURNACE MODEL	COIL MODEL ¹	W	ARI HEATING ²					
				STAGE	RATED CFM	NET MBH		HSPF	COP @ 47
						47 OD	17 OD		
18 SEER HP WITH HIGH EFFICIENCY FURNACES³									
YZH03611(C)	(Y*9C/T*9V)*C16	UC60C	21	1	810	26.6	–	–	4.12
				2	1235	36.4	26.4	9.70	4.26
				2	810	36.4	24.8	9.40	3.39
	(Y*9C/T*9V)*C20	UC60C	21	1	770	26.4	–	–	4.08
				2	1325	36.6	26.4	9.70	4.34
				2	770	36.6	24.8	8.60	3.33
	(Y*9C/T*9V)*D20	UC60D	24	1	830	26.6	–	–	4.14
				2	1225	36.2	26.2	9.80	4.32
				2	830	36.4	24.8	9.50	3.39
YZH04811(C)	T*(8,L)X*C16	FC/MC/PC48C	21	1	1115	36.4	–	–	3.62
				2	1600	48.0	32.8	9.50	3.80
				2	1115	38.2	33.1	9.20	3.02
	T*(8,L)X*C20	FC/MC/PC48C	21	1	855	36.4	–	–	3.42
				2	1660	48.0	32.8	9.50	3.80
				2	855	37.8	33.2	8.35	2.83
	T*9X*C16	FC/MC/PC48C	21	1	1085	36.4	–	–	3.66
				2	1565	48.0	32.8	9.40	3.76
				2	1085	38.2	33.1	9.30	3.04
	T*9X*C20	FC/MC/PC48C	21	1	1215	36.8	–	–	3.68
				2	1615	48.0	32.6	9.40	3.76
				2	1215	38.3	33.0	9.30	3.04
	T*9X*D20	FC/MC/PC48D	24	1	1250	36.6	–	–	3.60
				2	1635	48.0	32.8	9.40	3.78
				2	1250	38.3	32.8	9.10	3.02
	T*(8,L)X*C16	FC/PC60C	21	1	1120	36.2	–	–	3.66
				2	1605	48.0	32.6	9.50	3.82
				2	1120	38.0	32.6	9.20	3.12
	T*(8,L)X*C20	FC/MC/PC60D	21	1	860	36.0	–	–	3.44
				2	1595	48.0	32.6	9.60	3.84
				2	860	37.5	32.7	8.35	2.84
	T*9X*C16	FC/PC60C	21	1	1085	36.2	–	–	3.72
				2	1575	48.0	32.6	9.55	3.82
				2	1085	38.1	32.7	9.30	3.12
	T*9X*C20	FC/PC60C	21	1	1215	36.4	–	–	3.78
				2	1625	48.0	32.4	9.60	3.86
				2	1215	38.1	32.8	9.10	3.20
	T*9X*D20	FC/MC/PC60D	24	1	1285	36.6	–	–	3.88
				2	1490	47.5	32.2	9.80	3.88
				2	1285	38.2	32.8	9.30	3.31
T*(8,L)X*C16	FC/MC62D	21	1	1115	36.2	–	–	3.80	
			2	1610	48.0	32.4	9.65	3.92	
			2	1115	38.2	32.2	9.40	3.22	
T*(8,L)X*C20	FC/MC62D	21	1	835	35.4	–	–	3.46	
			2	1665	48.0	32.2	9.70	3.98	
			2	835	37.6	31.9	8.35	2.89	
T*9X*C16	FC/MC62D	21	1	1085	36.2	–	–	3.78	
			2	1550	48.0	32.4	9.60	3.92	
			2	1085	38.3	32.2	9.40	3.21	
T*9X*C20	FC/MC62D	21	1	1220	36.2	–	–	3.86	
			2	1595	48.0	32.2	9.65	3.92	
			2	1220	38.5	32.3	9.20	3.29	

For Notes See Page 27.

HEATING CAPACITY - With High Efficiency Motor Furnaces (Continued)

UNIT MODEL	FURNACE MODEL	COIL MODEL ¹	W	ARI HEATING ²					
				STAGE	RATED CFM	NET MBH		HSPF	COP @ 47
						47 OD	17 OD		
18 SEER HP WITH HIGH EFFICIENCY FURNACES³									
YZH04811(C)	T*9X*D20	FC/MC62D	24	1	1240	36.4	–	–	3.88
				2	1610	48.0	32.4	9.60	3.90
				2	1240	38.6	32.3	9.30	3.32
	T*(8,L)X*C16	FC64D	21	1	1115	36.6	–	–	3.88
				2	1610	48.0	32.6	9.55	3.98
				2	1115	38.5	32.6	9.15	3.20
	T*(8,L)X*C20	FC64D	21	1	835	35.4	–	–	3.86
				2	1665	48.0	32.2	9.55	3.98
				2	835	36.0	32.0	9.20	2.94
	T*9X*C16	FC64D	21	1	1085	36.2	–	–	3.86
				2	1550	48.0	32.4	9.50	3.96
				2	1085	38.5	32.4	9.40	3.20
	T*9X*C20	FC64D	21	1	1220	36.6	–	–	3.86
				2	1595	48.0	32.4	9.40	3.92
				2	1220	38.5	32.6	9.10	3.20
	T*(8,L)X*C20	HC60	21	1	1255	36.0	–	–	3.68
				2	1665	48.0	32.0	9.60	3.88
				2	1255	38.0	32.4	9.15	3.14
	T*9X*D20	HC60	24	1	1240	36.0	–	–	3.86
				2	1645	48.0	32.2	9.50	3.92
				2	1240	38.0	32.4	8.80	3.24
	T*(8,L)X*C16	UC48C	21	1	1115	37.0	–	–	3.80
				2	1600	48.0	32.6	9.50	3.88
				2	1115	38.7	33.0	8.70	3.16
	T*(8,L)X*C20	UC48C	21	1	855	36.6	–	–	3.66
				2	1515	47.5	32.0	9.50	3.88
				2	855	38.3	33.0	8.60	3.00
	T*9X*C16	UC48C	21	1	1085	37.0	–	–	3.80
				2	1565	48.0	32.8	9.50	3.86
				2	1085	38.7	33.0	8.60	3.16
	T*9X*C20	UC48C	21	1	1215	37.0	–	–	3.80
				2	1615	48.0	32.6	9.50	3.86
				2	1215	38.7	32.9	8.70	3.16
	T*9X*D20	UC48D	24	1	1250	36.6	–	–	3.80
				2	1635	48.0	32.4	9.50	3.86
				2	1250	38.4	32.6	8.60	3.16
	T*(8,L)X*C16	UC60C	21	1	1120	36.8	–	–	3.78
				2	1605	48.0	32.4	9.60	3.90
				2	1120	38.7	32.7	8.70	3.16
	T*(8,L)X*C20	UC60D	21	1	860	36.6	–	–	3.60
				2	1540	47.5	32.0	9.70	3.94
				2	860	38.4	32.8	8.60	3.90
	T*9X*C16	UC60C	21	1	1085	36.8	–	–	3.74
				2	1575	48.0	32.6	9.50	3.86
				2	1085	38.7	32.7	8.60	3.20
	T*9X*C20	UC60C	21	1	1215	37.0	–	–	3.76
				2	1625	48.0	32.4	9.50	3.86
				2	1215	39.0	32.8	8.60	3.10
T*9X*D20	UC60D	24	1	1285	36.8	–	–	3.76	
			2	1490	47.5	32.0	9.50	3.88	
			2	1285	38.5	32.5	8.70	3.10	

For Notes See Page 27.

HEATING CAPACITY - With High Efficiency Motor Furnaces (Continued)

UNIT MODEL	FURNACE MODEL	COIL MODEL ¹	W	ARI HEATING ²					
				STAGE	RATED CFM	NET MBH		HSPF	COP @ 47
						47 OD	17 OD		
18 SEER HP WITH HIGH EFFICIENCY FURNACES³									
YZH04811(C)	(Y*(8,L)C/T*8V)*C16	FC/MC/PC48C	21	1	1120	35.4	—	—	3.62
				2	1565	48.5	32.6	9.25	3.72
				2	1120	37.6	31.8	9.20	3.03
	(Y*(8,L)C/T*8V)*C20	FC/MC/PC48C	21	1	1080	35.4	—	—	3.60
				2	1640	48.0	32.6	9.35	3.80
				2	1080	37.3	31.8	9.10	3.02
	(Y*9C/T*9V)*C16	FC/MC/PC48C	21	1	1050	37.0	—	—	3.66
				2	1590	48.5	37.2	9.40	3.76
				2	1050	38.3	37.9	9.30	3.04
	(Y*9C/T*9V)*C20	FC/MC/PC48C	21	1	1055	37.0	—	—	3.68
				2	1655	48.5	37.2	9.40	3.76
				2	1055	38.2	37.9	9.30	3.05
	(Y*9C/T*9V)*D20	FC/MC/PC48D	24	1	1060	35.4	—	—	3.60
				2	1645	48.5	32.6	9.40	3.78
				2	1060	37.7	31.8	9.10	3.03
	(Y*(8,L)C/T*8V)*C16	FC/PC60C	21	1	1025	35.4	—	—	3.60
				2	1600	48.0	32.6	9.40	3.76
				2	1025	37.5	31.8	9.20	3.12
	(Y*(8,L)C/T*8V)*C20	FC/PC60C	21	1	1060	35.2	—	—	3.66
				2	1620	48.0	32.2	9.50	3.80
				2	1060	37.4	31.7	9.30	3.14
	(Y*9C/T*9V)*C16	FC/PC60C	21	1	1050	35.4	—	—	3.62
				2	1590	48.5	32.6	9.40	3.80
				2	1050	37.5	31.9	9.00	3.11
	(Y*9C/T*9V)*C20	FC/PC60C	21	1	1055	35.4	—	—	3.64
				2	1655	48.5	32.6	9.40	3.80
				2	1055	37.5	31.9	9.10	3.11
	(Y*9C/T*9V)*D20	FC/MC/PC60D	24	1	1070	35.6	—	—	3.68
				2	1615	48.5	32.6	9.50	3.80
				2	1070	37.9	32.1	9.20	3.10
	(Y*(8,L)C/T*8V))*C20	FC/MC62D	21	1	1060	35.4	—	—	3.68
				2	1620	48.0	32.2	9.60	3.86
				2	1060	37.4	31.8	9.25	3.10
	(Y*9C/T*9V)*D20	FC/MC62D	24	1	1085	35.4	—	—	3.72
				2	1630	48.5	32.4	9.50	3.86
				2	1085	37.8	31.8	9.10	3.15
(Y*(8,L)C/T*8V)*C16	FC64D	21	1	1025	35.8	—	—	3.84	
			2	1635	48.0	32.4	9.55	3.98	
			2	1025	37.2	32.2	9.15	3.20	
(Y*(8,L)C/T*8V)*C20	FC64D	21	1	1060	35.8	—	—	3.86	
			2	1645	48.0	32.2	9.55	3.98	
			2	1060	37.8	32.2	9.30	3.18	
(Y*9C/T*9V)*C16	FC64D	21	1	1040	36.6	—	—	3.86	
			2	1590	48.0	32.8	9.50	3.96	
			2	1040	38.5	32.8	9.40	3.20	
(Y*9C/T*9V)*C20	FC64D	21	1	1040	36.0	—	—	3.86	
			2	1655	48.0	32.6	9.40	3.92	
			2	1040	37.6	32.2	9.10	3.20	
(Y*9C/T*9V)*D20	FC64D	24	1	1085	35.6	—	—	3.92	
			2	1630	48.0	32.6	9.50	3.92	
			2	1085	38.0	32.2	9.25	3.22	

For Notes See Page 27.

HEATING CAPACITY - With High Efficiency Motor Furnaces (Continued)

UNIT MODEL	FURNACE MODEL	COIL MODEL ¹	W	ARI HEATING ²					
				STAGE	RATED CFM	NET MBH		HSPF	COP @ 47
						47 OD	17 OD		
18 SEER HP WITH HIGH EFFICIENCY FURNACES³									
YZH04811(C)	(Y*(8,L)C/T*8V)*C20	HC60	21	1	1015	36.2	–	–	3.68
				2	1605	48.0	32.4	9.60	3.88
				2	1015	37.6	32.6	9.30	3.14
	(Y*9C/T*9V)*D20	HC60	24	1	1070	37.8	–	–	3.86
				2	1615	48.5	37.0	9.50	3.92
				2	1070	39.3	38.2	8.80	3.24
	(Y*(8,L)C/T*8V)*C16	HD48	21	1	1035	36.2	–	–	3.26
				2	1615	48.0	36.2	9.30	3.52
				2	1035	38.0	36.6	8.20	2.67
	(Y*(8,L)C/T*8V)*C20	HD48	21	1	1080	36.2	–	–	3.26
				2	1640	48.0	36.2	9.30	3.54
				2	1080	38.1	36.7	9.20	2.67
	(Y*9C/T*9V)*C16	HD48	21	1	1050	36.2	–	–	3.28
				2	1590	48.0	36.2	9.30	3.50
				2	1050	38.1	36.7	8.20	2.68
	(Y*9C/T*9V)*C20	HD48	21	1	1055	36.2	–	–	3.28
				2	1655	48.0	36.2	9.30	3.50
				2	1055	38.1	36.7	8.20	2.69
	(Y*9C/T*9V)*D20	HD48	24	1	1060	36.2	–	–	3.26
				2	1645	48.0	36.2	9.30	3.52
				2	1060	38.1	36.7	8.20	2.67
	(Y*(8,L)C/T*8V)*C16	HD60	21	1	1035	36.4	–	–	3.40
				2	1625	48.0	36.0	9.40	3.62
				2	1035	38.1	36.7	8.30	2.74
	(Y*(8,L)C/T*8V)*C20	HD60	21	1	1015	36.4	–	–	3.42
				2	1605	47.5	35.8	9.50	3.66
				2	1015	38.1	36.6	8.30	2.75
	(Y*9C/T*9V)*C16	HD60	21	1	1050	36.6	–	–	3.38
				2	1590	48.0	36.2	9.30	3.60
				2	1050	38.2	36.8	9.30	2.73
	(Y*9C/T*9V)*C20	HD60	21	1	1055	36.4	–	–	3.38
				2	1655	48.0	36.2	9.30	3.60
				2	1055	38.2	36.8	8.20	2.73
	(Y*9C/T*9V)*D20	HD60	24	1	1070	36.6	–	–	3.38
				2	1615	48.0	36.2	9.40	3.60
				2	1070	38.2	36.8	9.30	2.73
	(Y*(8,L)C/T*8V)*C16	UC48C	21	1	1035	37.8	–	–	3.80
				2	1615	48.5	37.0	9.50	3.88
				2	1035	39.1	38.3	8.70	3.17
	(Y*(8,L)C/T*8V)*C20	UC48C	21	1	1080	37.8	–	–	3.80
				2	1640	48.5	37.0	9.50	3.88
				2	1080	39.2	38.4	8.70	3.16
(Y*9C/T*9V)*C16	UC48C	21	1	1050	37.8	–	–	3.80	
			2	1590	48.5	37.0	9.50	3.86	
			2	1050	39.2	38.4	8.60	3.16	
(Y*9C/T*9V)*C20	UC48C	21	1	1055	37.8	–	–	3.80	
			2	1655	48.5	37.0	9.50	3.86	
			2	1055	39.1	38.3	8.70	3.17	
(Y*9C/T*9V)*D20	UC48D	24	1	1060	37.8	–	–	3.80	
			2	1645	48.5	37.0	9.50	3.86	
			2	1060	39.2	38.4	8.60	3.17	

For Notes See Page 27.

HEATING CAPACITY - With High Efficiency Motor Furnaces (Continued)

UNIT MODEL	FURNACE MODEL	COIL MODEL ¹	W	ARI HEATING ²					
				STAGE	RATED CFM	NET MBH		HSPF	COP @ 47
						47 OD	17 OD		
18 SEER HP WITH HIGH EFFICIENCY FURNACES³									
YZH04811(C)	(Y*(8,L)C/T*8V)*C16	UC60C	21	1	1035	37.4	–	–	3.78
				2	1625	48.5	36.6	9.60	3.90
				2	1035	39.0	37.9	8.70	3.16
	(Y*(8,L)C/T*8V)*C20	UC60C	21	1	1015	37.4	–	–	3.80
				2	1605	48.5	36.4	9.70	3.94
				2	1015	39.0	37.9	8.70	3.18
	(Y*9C/T*9V)*C16	UC60C	21	1	1050	37.4	–	–	3.74
				2	1590	48.5	36.8	9.50	3.86
				2	1050	39.1	38.1	8.60	3.15
	(Y*9C/T*9V)*C20	UC60C	21	1	1055	37.4	–	–	3.76
				2	1655	48.5	36.8	9.50	3.86
				2	1055	39.1	38.0	8.60	3.15
	(Y*9C/T*9V)*D20	UC60D	24	1	1070	37.4	–	–	3.76
				2	1615	48.5	36.6	9.50	3.88
				2	1070	39.1	38.0	8.70	3.15
YZH06011(C)	T*(8,L)X*C20	FC/PC60C	21	1	860	40.0	–	–	3.00
				2	1595	57.0	38.0	9.25	3.54
				2	860	46.1	24.1	8.00	2.55
	T*9X*C20	FC/PC60C	21	1	1215	43.0	–	–	3.14
				2	1625	57.0	37.6	9.10	3.52
				2	1215	45.9	25.6	8.70	2.73
	T*9X*D20	FC/MC/PC60D	24	1	1320	43.0	–	–	3.20
				2	1730	57.0	37.8	9.20	3.54
				2	1320	46.3	25.9	8.80	2.80
	T*(8,L)X*C20	FC/MC/PC60D	21	1	905	40.0	–	–	3.08
				2	1690	57.0	37.8	9.30	3.58
				2	905	43.8	24.0	8.85	2.62
	T*9X*C20	FC/MC/PC60D	21	1	1295	43.0	–	–	3.14
				2	1645	57.0	37.6	9.10	3.52
				2	1295	46.2	25.7	8.80	2.72
	T*(8,L)X*C20	FC/MC62D	21	1	835	42.0	–	–	3.00
				2	1665	57.0	39.0	9.30	3.68
				2	835	44.8	26.9	9.00	2.56
	T*9X*C20	FC/MC62D	21	1	1220	43.0	–	–	3.20
				2	1595	57.0	39.0	9.10	3.60
				2	1220	46.2	27.1	8.80	2.80
	T*9X*D20	FC/MC62D	24	1	1240	43.0	–	–	3.28
				2	1645	57.0	39.0	9.20	3.60
				2	1240	46.2	27.1	8.80	2.88
	T*(8,L)X*C20	FC64D	21	1	835	42.5	–	–	3.32
				2	1665	57.0	39.0	9.30	3.76
				2	835	45.0	27.6	8.90	2.86
T*9X*C20	FC64D	21	1	1220	43.5	–	–	3.34	
			2	1595	57.0	39.0	9.10	3.70	
			2	1220	46.0	27.2	8.85	2.90	
T*9X*D20	FC64D	24	1	1240	43.5	–	–	3.38	
			2	1645	57.0	39.0	9.20	3.70	
			2	1240	46.5	27.4	8.80	2.94	
T*(8,L)X*C20	HC60	21	1	1255	44.0	–	–	3.16	
			2	1665	57.0	39.0	9.25	3.58	
			2	1255	46.5	27.4	8.90	2.74	

For Notes See Page 27.

HEATING CAPACITY - With High Efficiency Motor Furnaces (Continued)

UNIT MODEL	FURNACE MODEL	COIL MODEL ¹	W	ARI HEATING ²					
				STAGE	RATED CFM	NET MBH		HSPF	COP @ 47
						47 OD	17 OD		
18 SEER HP WITH HIGH EFFICIENCY FURNACES³									
YZH06011(C)	T*9X*D20	HC60	24	1	1240	44.0	–	–	3.36
				2	1645	57.0	39.0	9.20	3.68
				2	1240	46.5	27.4	8.90	2.95
	T*(8,L)X*C20	UC60C	21	1	860	40.5	–	–	3.14
				2	1595	57.0	38.0	9.30	3.66
				2	860	45.2	24.1	9.10	2.67
	T*9X*C20	UC60C	21	1	1215	43.0	–	–	3.24
				2	1625	57.0	38.0	9.20	3.60
				2	1215	47.0	25.8	9.00	2.82
	T*9X*D20	UC60D	24	1	1320	43.5	–	–	3.28
				2	1730	57.0	38.5	9.20	3.62
				2	1320	46.7	26.0	9.00	2.89
	T*(8,L)X*C20	UC60D	21	1	905	41.0	–	–	3.14
				2	1690	57.0	38.0	9.30	3.66
				2	905	45.5	24.1	9.10	2.67
	T*9X*C20	UC60D	21	1	1295	43.5	–	–	3.24
				2	1645	57.0	38.0	9.20	3.60
				2	1295	46.6	25.8	9.00	2.82
	(Y*(8,L)C/T*8V)*C20	FC/PC60C	21	1	1060	42.5	–	–	3.16
				2	1620	57.5	39.5	9.10	3.50
				2	1060	45.5	27.3	9.00	2.74
	(Y*9C/T*9V)*C20	FC/PC60C	21	1	1055	42.5	–	–	3.14
				2	1655	58.0	39.5	9.10	3.52
				2	1055	45.6	27.4	8.80	2.73
	(Y*(8,L)C/T*8V)*C20	FC/MC/PC60D	21	1	1015	42.5	–	–	3.16
				2	1605	57.5	39.5	9.30	3.58
				2	1015	45.5	27.3	9.00	2.74
	(Y*9C/T*9V)*C20	FC/MC/PC60D	21	1	1055	43.0	–	–	3.14
				2	1655	58.0	39.5	9.10	3.52
				2	1055	45.6	27.4	8.80	2.73
	(Y*9C/T*9V)*D20	FC/MC/PC60D	24	1	1070	43.0	–	–	3.20
				2	1615	58.0	39.5	9.20	3.54
				2	1070	45.8	27.3	8.80	2.80
	(Y*(8,L)C/T*8V)*C20	FC/MC62D	21	1	1015	42.5	–	–	3.22
				2	1600	57.5	39.0	9.10	3.80
				2	1015	45.7	26.9	9.00	2.82
	(Y*9C/T*9V)*C20	FC/MC62D	21	1	1040	43.0	–	–	3.20
				2	1655	58.0	39.5	9.10	3.60
				2	1040	45.7	26.9	8.90	2.81
	(Y*9C/T*9V)*D20	FC/MC62D	24	1	1085	43.0	–	–	3.28
				2	1630	58.0	39.5	9.20	3.62
				2	1085	45.9	27.0	8.80	2.88
(Y*(8,L)C/T*8V)*C20	FC64D	21	1	1060	43.0	–	–	3.32	
			2	1855	57.0	39.0	9.30	3.76	
			2	1060	45.5	27.4	8.90	2.86	
(Y*9C/T*9V)*C20	FC64D	21	1	1040	43.0	–	–	3.34	
			2	1655	57.0	39.5	9.10	3.70	
			2	1040	46.0	27.4	8.85	2.90	
(Y*9C/T*9V)*D20	FC64D	24	1	1085	43.5	–	–	3.38	
			2	1630	57.0	39.5	9.20	3.70	
			2	1085	46.0	27.4	8.80	2.94	

For Notes See Page 27.

HEATING CAPACITY - With High Efficiency Motor Furnaces (Continued)

UNIT MODEL	FURNACE MODEL	COIL MODEL ¹	W	ARI HEATING ²					
				STAGE	RATED CFM	NET MBH		HSPF	COP @ 47
						47 OD	17 OD		
18 SEER HP WITH HIGH EFFICIENCY FURNACES³									
YZH06011(C)	(Y*(8,L)C/T*8V)*C20	HC60	21	1	1015	43.5	—	—	3.16
				2	1605	57.0	39.0	9.25	3.58
				2	1015	46.0	27.6	9.00	2.74
	(Y*9C/T*9V)*D20	HC60	24	1	1070	43.5	—	—	3.36
				2	1615	58.0	39.5	9.20	3.68
				2	1070	46.4	27.5	9.00	2.95
	(Y*(8,L)C/T*8V)*C20	HD60	21	1	1015	42.0	—	—	2.86
				2	1605	57.0	39.0	9.20	3.34
				2	1015	45.1	26.9	8.80	2.39
	(Y*9C/T*9V)*C20	HD60	21	1	1055	42.0	—	—	2.90
				2	1655	57.5	39.0	9.10	3.32
				2	1055	45.0	26.9	8.60	2.47
	(Y*9C/T*9V)*D20	HD60	24	1	1070	42.0	—	—	2.92
				2	1615	57.5	39.0	9.10	3.30
				2	1070	45.4	27.0	8.70	2.47
	(Y*(8,L)C/T*8V)*C20	UC60C	21	1	1015	43.0	—	—	3.26
				2	1605	57.5	39.0	9.30	3.66
				2	1015	46.1	27.3	9.10	2.84
	(Y*9C/T*9V)*C20	UC60C	21	1	1055	43.0	—	—	3.24
				2	1655	58.0	39.5	9.20	3.60
				2	1055	46.2	27.4	9.00	2.83
(Y*9C/T*9V)*D20	UC60D	24	1	1070	43.0	—	—	3.28	
			2	1615	58.0	39.5	9.20	3.62	
			2	1070	46.4	27.4	9.00	2.89	

1. MC coils available with a factory installed horizontal drain pan. See price pages for specific model number.

2. Heating MBH based on ARI standards of 70° DB entering indoor air, 72% RH outdoor air with 25 feet of interconnecting piping and no supplemental electric heat operation.

3. Variable speed furnaces have B.O.D (Blower on Delay) standard.

CP equals MBH output divided by (total KW input x 3.412).

HSPF (Heating Seasonal Performance Factor) is the total heating output during a normal annual usage period for heating divided by the total electric power input during the same period.

— = Not Applicable.

ACCESSORIES*

TXV Kits - 1TVM4 series thermal expansion valves precisely meter refrigerant for optimum performance.

Bonnet Sensor (2SB13700124) - The bonnet sensor is used to sense plenum temperature, and is optional with a gas or oil back-up heat source. Compatible only with 13 SEER and higher heat pumps.

Dehumidistat (2HU16700124) - Provides increased dehumidification when matched with variable speed furnace or air handler.

Heat Pump Risers - (526-35389-000, 526-35390-000, 526-35391-000) - 3", 6", or 12" risers mount easily in composite base pan recesses, ensuring the unit stays clear of snow and ice build-up in harsh winter weather.

Thermostats - Compatible thermostat controls are available through accessory sourcing. For optimum performance and installation, refer to the UPGNET "Low Voltage Wiring Diagram" document to select and apply controls.

SOUND POWER RATINGS*

UNIT MODEL	(dBA)	
	Cooling	Heating
024	71	72
036	72	73
048	72	73
060	73	74

* Rated in accordance with ARI 270-95 Standards.

COOLING PERFORMANCE DATA - LOW CFM 1-STAGE OPERATION																
OUTDOOR UNIT MODEL NO.		YZH02411(C)														
INDOOR COIL MODEL NO.		FC/MC/PC48D + MV12D														
CONDENSER ENTERING AIR TEMPERATURE	ID CFM	600					650					700				
	ID DB (°F)	80	80	75	80	80	80	80	75	80	80	80	80	75	80	80
	ID WB (°F)	57	62	62	67	72	57	62	62	67	72	57	62	62	67	72
65	T.C.	19.7	20.0	19.9	22.0	23.6	19.7	20.0	19.9	22.0	23.6	19.7	20.0	19.9	22.0	23.6
	S.C.	19.7	19.2	15.7	15.8	13.0	19.7	19.2	15.7	15.8	13.0	19.7	19.2	15.7	15.8	13.0
	K.W.	0.8	0.8	0.8	0.8	0.8	0.8	0.8	0.8	0.8	0.8	0.8	0.8	0.8	0.8	0.8
75	T.C.	18.9	19.0	18.9	21.0	22.6	18.9	19.0	18.9	21.0	22.6	18.9	19.0	18.9	21.0	22.6
	S.C.	18.9	18.5	15.4	15.4	12.5	18.9	18.5	15.4	15.4	12.5	18.9	18.5	15.4	15.4	12.5
	K.W.	0.9	0.9	0.9	0.9	0.9	0.9	0.9	0.9	0.9	0.9	0.9	0.9	0.9	0.9	0.9
85	T.C.	18.1	18.0	18.0	20.0	21.7	18.1	18.0	18.0	20.0	21.7	18.1	18.0	18.0	20.0	21.7
	S.C.	18.1	17.7	15.0	15.0	12.1	18.1	17.7	15.0	15.0	12.1	18.1	17.7	15.0	15.0	12.1
	K.W.	1.0	1.0	1.1	1.1	1.1	1.0	1.0	1.1	1.1	1.1	1.0	1.0	1.1	1.1	1.1
95	T.C.	17.4	17.0	17.1	18.9	20.7	17.4	17.0	17.1	18.9	20.7	17.4	17.0	17.1	18.9	20.7
	S.C.	17.4	17.0	14.6	14.6	11.7	17.4	17.0	14.6	14.6	11.7	17.4	17.0	14.6	14.6	11.7
	K.W.	1.2	1.2	1.2	1.2	1.2	1.2	1.2	1.2	1.2	1.2	1.2	1.2	1.2	1.2	1.2
105	T.C.	16.2	15.9	15.6	17.4	19.1	16.2	15.9	15.6	17.4	19.1	16.2	15.9	15.6	17.4	19.1
	S.C.	16.2	15.9	13.9	14.0	11.1	16.2	15.9	13.9	14.0	11.1	16.2	15.9	13.9	14.0	11.1
	K.W.	1.4	1.4	1.4	1.4	1.4	1.4	1.4	1.4	1.4	1.4	1.4	1.4	1.4	1.4	1.4
115	T.C.	15.0	14.9	14.1	15.9	17.6	15.0	14.9	14.1	15.9	17.6	15.0	14.9	14.1	15.9	17.6
	S.C.	15.0	14.9	13.3	13.5	10.5	15.0	14.9	13.3	13.5	10.5	15.0	14.9	13.3	13.5	10.5
	K.W.	1.6	1.6	1.5	1.6	1.6	1.6	1.6	1.5	1.6	1.6	1.6	1.6	1.5	1.6	1.6
125	T.C.	13.8	13.8	12.7	14.3	16.0	13.8	13.8	12.7	14.3	16.0	13.8	13.8	12.7	14.3	16.0
	S.C.	13.8	13.8	12.7	13.0	10.0	13.8	13.8	12.7	13.0	10.0	13.8	13.8	12.7	13.0	10.0
	K.W.	1.7	1.7	1.7	1.7	1.7	1.7	1.7	1.7	1.7	1.7	1.7	1.7	1.7	1.7	1.7

NOTE: ALL CAPACITIES ARE NET (KBTUH) WITH INDOOR FAN HEAT ALREADY DEDUCTED AT 1250 BTUH/1000 CFM.

Multipliers for determining the performance with other indoor sections.

NOTE: For dry bulb temperatures different than those listed (between 73-87 F), sensible capacity increases by 1060 BTUH per 1000 CFM per degree above the listed temperature and decreases by 1060 BTUH per 1000 CFM per degree below the listed temperature.

NOTE: KW RATING IS FOR OUTDOOR AND INDOOR UNITS.

LOW CFM

Air Handler	Coil	T.C.	S.C.	KW
AHX36	-	0.93	0.86	1.03
AV*36	-	0.98	0.96	0.98
MV12B	FC/MC43B	0.98	0.96	0.97
MV12D	FC/MC60D	1.00	1.00	1.00

Furnace	Coil	T.C.	S.C.	KW
T*(8,L)X*A12	FC/MC/PC37A	0.99	0.99	0.99
T*(8,L)X*B12	FC/MC/PC43B	1.02	1.04	0.98
T*(8,L)X*C16	FC/MC/PC43C	0.99	0.99	1.00
T*9X*B12	FC/MC/PC43B	0.99	0.99	0.99
T*9X*C16	FC/MC/PC43C	0.99	0.99	1.00

Furnace	Coil	T.C.	S.C.	KW
T*9X*C16	FC/MC/PC48C	1.01	1.03	1.00
T*(8,L)X*B12	HC42	0.99	1.00	1.04
T*(8,L)X*C16	HC42	1.01	1.03	1.01
T*9X*B12	HC42	1.00	0.98	1.04
T*9X*C16	HC42	1.01	1.03	1.01
T*9X*C16	UC48C	1.00	1.03	1.00
(Y*(8,L)C/T*8V)*A12	FC/MC/PC37A	0.97	0.93	1.01
(Y*(8,L)C/T*8V)*B12	FC/MC/PC43B	0.95	0.87	1.02
(Y*9C/T*9V)*B12	FC/MC/PC43B	0.96	0.90	1.00
(Y*(8,L)C/T*8V)*B12	HC42	0.96	0.88	1.00
(Y*9C/T*9V)*B12	HC42	0.97	0.91	1.00

COOLING PERFORMANCE DATA - HIGH CFM 2-STAGE OPERATION																
OUTDOOR UNIT MODEL NO.		YZH02411(C)														
INDOOR COIL MODEL NO.		FC/MC/PC48D + MV12D														
CONDENSER ENTERING AIR TEMPERATURE	ID CFM	740					840					940				
	ID DB (°F)	80	80	75	80	80	80	80	75	80	80	80	80	75	80	80
	ID WB (°F)	57	62	62	67	72	57	62	62	67	72	57	62	62	67	72
65	T.C.	24.9	26.6	26.4	28.8	30.9	25.8	27.2	26.9	29.3	31.6	26.7	27.8	27.4	29.8	32.2
	S.C.	24.9	23.2	19.7	19.3	16.3	25.8	24.9	20.8	20.5	16.8	26.7	26.6	21.8	21.6	17.4
	K.W.	1.2	1.2	1.2	1.2	1.2	1.2	1.2	1.2	1.2	1.2	1.2	1.2	1.2	1.2	1.2
75	T.C.	24.0	25.3	25.2	27.5	29.6	24.9	25.8	25.7	28.0	30.2	25.8	26.4	26.2	28.5	30.9
	S.C.	24.0	22.6	19.1	18.8	15.7	24.9	24.1	20.2	20.0	16.2	25.8	25.6	21.3	21.1	16.8
	K.W.	1.4	1.4	1.4	1.4	1.4	1.4	1.4	1.4	1.4	1.4	1.4	1.4	1.4	1.4	1.4
85	T.C.	23.1	24.0	24.0	26.2	28.3	24.0	24.5	24.4	26.7	28.9	24.9	25.0	24.9	27.2	29.5
	S.C.	23.1	22.0	18.5	18.4	15.0	24.0	23.3	19.6	19.5	15.6	24.9	24.6	20.7	20.6	16.2
	K.W.	1.5	1.5	1.5	1.5	1.6	1.5	1.5	1.5	1.5	1.6	1.5	1.5	1.5	1.6	1.6
95	T.C.	22.1	22.7	22.8	24.9	26.9	23.1	23.1	23.2	25.4	27.6	24.0	23.6	23.7	25.9	28.2
	S.C.	22.1	21.4	18.0	17.9	14.4	23.1	22.5	19.1	19.0	15.0	24.0	23.6	20.2	20.0	15.6
	K.W.	1.7	1.7	1.7	1.7	1.7	1.7	1.7	1.7	1.7	1.7	1.7	1.7	1.7	1.7	1.7
105	T.C.	20.9	21.2	21.1	23.3	25.3	21.8	21.8	21.5	23.7	25.8	22.6	22.4	21.9	24.1	26.3
	S.C.	20.9	20.4	17.2	17.2	13.7	21.8	21.4	18.3	18.3	14.3	22.6	22.4	19.5	19.4	14.9
	K.W.	1.9	1.9	1.9	1.9	1.9	1.9	1.9	1.9	1.9	2.0	1.9	1.9	1.9	1.9	2.0
115	T.C.	19.7	19.8	19.5	21.8	23.6	20.5	20.5	19.9	22.1	24.0	21.3	21.2	20.3	22.4	24.5
	S.C.	19.7	19.4	16.5	16.6	13.0	20.5	20.3	17.6	17.6	13.6	21.3	21.2	18.8	18.7	14.2
	K.W.	2.1	2.1	2.1	2.1	2.2	2.1	2.1	2.1	2.1	2.2	2.1	2.1	2.1	2.1	2.2
125	T.C.	18.5	18.4	17.9	20.2	22.0	19.3	19.2	18.3	20.4	22.3	20.0	20.0	18.6	20.7	22.6
	S.C.	18.5	18.4	15.8	15.9	12.2	19.3	19.2	16.9	17.0	12.9	20.0	20.0	18.1	18.1	13.5
	K.W.	2.3	2.3	2.3	2.4	2.4	2.3	2.3	2.3	2.4	2.4	2.4	2.4	2.3	2.4	2.4

NOTE: ALL CAPACITIES ARE NET (KBTUH) WITH INDOOR FAN HEAT ALREADY DEDUCTED AT 1250 BTUH/1000 CFM.

Multipliers for determining the performance with other indoor sections.

NOTE: For dry bulb temperatures different than those listed (between 73-87 F), sensible capacity increases by 1060 BTUH per 1000 CFM per degree above the listed temperature and decreases by 1060 BTUH per 1000 CFM per degree below the listed temperature.

NOTE: KW RATING IS FOR OUTDOOR AND INDOOR UNITS.

HIGH CFM

Air Handler	Coil	T.C.	S.C.	KW
AHX36	-	0.89	0.97	0.97
AV*36	-	0.98	0.95	0.98
MV12B	FC/MC43B	0.98	0.96	0.97
MV12D	FC/MC60D	1.00	1.00	1.00

Furnace	Coil	T.C.	S.C.	KW
T*(8,L)X*A12	FC/MC/PC37A	0.91	1.00	0.93
T*(8,L)X*B12	FC/MC/PC43B	0.91	1.02	0.93
T*(8,L)X*C16	FC/MC/PC43C	0.91	1.00	0.93
T*9X*B12	FC/MC/PC43B	0.91	1.00	0.93

Furnace	Coil	T.C.	S.C.	KW
T*9X*C16	FC/MC/PC43C	0.90	0.97	0.91
T*9X*C16	FC/MC/PC48C	0.91	1.00	0.92
T*(8,L)X*B12	HC42	1.00	1.01	1.04
T*(8,L)X*C16	HC42	0.97	0.93	1.00
T*9X*B12	HC42	0.98	0.97	1.03
T*9X*C16	HC42	0.97	0.93	1.01
T*9X*C16	UC48C	0.91	1.00	0.92
(Y*(8,L)C/T*8V)*A12	FC/MC/PC37A	0.98	0.96	1.03
(Y*(8,L)C/T*8V)*B12	FC/MC/PC43B	0.97	0.94	1.01
(Y*9C/T*9V)*B12	FC/MC/PC43B	0.98	0.96	1.02
(Y*(8,L)C/T*8V)*B12	HC42	0.98	0.95	1.01

COOLING PERFORMANCE DATA - LOW CFM 1-STAGE OPERATION																
OUTDOOR UNIT MODEL NO.		YZH03611(C)														
INDOOR COIL MODEL NO.		FC/MC62D + MV12D														
CONDENSER ENTERING AIR TEMPERATURE	ID CFM	796					846					896				
	ID DB (°F)	80	80	75	80	80	80	80	75	80	80	80	80	75	80	80
	ID WB (°F)	57	62	62	67	72	57	62	62	67	72	57	62	62	67	72
65	T.C.	26.3	27.5	27.3	30.5	33.5	26.9	28.0	27.7	30.9	34.1	27.4	28.4	28.1	31.3	34.7
	S.C.	26.3	23.9	20.3	20.4	16.7	26.9	25.0	20.9	21.0	17.1	27.4	26.1	21.6	21.6	17.5
	K.W.	1.0	1.0	1.0	1.0	1.1	1.0	1.0	1.0	1.0	1.1	1.0	1.0	1.0	1.0	1.1
75	T.C.	25.2	26.0	25.9	28.9	32.0	25.7	26.4	26.3	29.3	32.5	26.3	26.7	26.6	29.7	33.0
	S.C.	25.2	23.6	19.8	19.8	16.1	25.7	24.4	20.4	20.5	16.5	26.3	25.2	21.0	21.1	16.9
	K.W.	1.2	1.2	1.2	1.2	1.2	1.2	1.2	1.2	1.2	1.2	1.2	1.2	1.2	1.2	1.2
85	T.C.	24.1	24.5	24.5	27.4	30.5	24.6	24.8	24.8	27.8	30.8	25.2	25.0	25.1	28.1	31.2
	S.C.	24.1	23.2	19.3	19.3	15.5	24.6	23.8	19.9	19.9	15.9	25.2	24.3	20.5	20.5	16.3
	K.W.	1.4	1.4	1.4	1.4	1.4	1.4	1.4	1.4	1.4	1.4	1.4	1.4	1.4	1.4	1.4
95	T.C.	23.0	22.9	23.0	25.9	28.9	23.5	23.1	23.3	26.2	29.2	24.0	23.4	23.6	26.5	29.5
	S.C.	23.0	22.9	18.7	18.8	15.0	23.5	23.1	19.3	19.4	15.3	24.0	23.4	19.9	20.0	15.6
	K.W.	1.6	1.6	1.6	1.6	1.6	1.6	1.6	1.6	1.6	1.6	1.6	1.6	1.6	1.6	1.6
105	T.C.	21.4	21.3	20.8	23.6	26.6	21.8	21.6	21.1	23.8	26.8	22.3	21.9	21.3	24.1	27.0
	S.C.	21.4	21.3	17.9	18.0	14.2	21.8	21.6	18.4	18.6	14.5	22.3	21.9	18.9	19.2	14.9
	K.W.	1.8	1.8	1.8	1.8	1.9	1.8	1.8	1.8	1.8	1.9	1.8	1.8	1.8	1.8	1.9
115	T.C.	19.8	19.7	18.7	21.3	24.3	20.2	20.1	18.9	21.5	24.5	20.6	20.4	19.1	21.8	24.7
	S.C.	19.8	19.7	17.1	17.3	13.4	20.2	20.1	17.5	17.9	13.8	20.6	20.4	17.9	18.5	14.1
	K.W.	2.1	2.1	2.1	2.1	2.1	2.1	2.1	2.1	2.1	2.1	2.1	2.1	2.1	2.1	2.1
125	T.C.	18.2	18.2	16.5	19.1	22.0	18.6	18.6	16.7	19.2	22.1	19.0	19.0	16.9	19.4	22.3
	S.C.	18.2	18.2	16.4	16.5	12.6	18.6	18.6	16.6	17.1	13.0	19.0	19.0	16.9	17.7	13.4
	K.W.	2.3	2.3	2.3	2.3	2.3	2.3	2.3	2.3	2.3	2.3	2.3	2.3	2.3	2.3	2.3

NOTE: ALL CAPACITIES ARE NET (KBTUH) WITH INDOOR FAN HEAT ALREADY DEDUCTED AT 1250 BTUH/1000 CFM.

Multipliers for determining the performance with other indoor sections.

NOTE: For dry bulb temperatures different than those listed (between 73-87 F), sensible capacity increases by 1060 BTUH per 1000 CFM per degree above the listed temperature and decreases by 1060 BTUH per 1000 CFM per degree below the listed temperature.

NOTE: KW RATING IS FOR OUTDOOR AND INDOOR UNITS.

LOW CFM

Air Handler	Coil	T.C.	S.C.	KW
AHX36	–	0.97	0.94	1.00
AHX48	–	1.01	1.03	1.00
AV*36	–	0.98	0.97	0.97
AV/SV*48	–	1.01	1.04	0.98
MV16C	FC/MC43C	0.97	0.93	0.95
MV16C	FC/MC48C	0.98	0.95	0.96
MV12D	FC/MC48D	0.97	0.91	0.96
MV12D	FC/MC60D	0.97	0.93	0.97
MV12D	FC64D	1.01	0.99	1.00
–	FC64	1.00	1.04	1.14

Continued on next page.

Furnace	Coil	T.C.	S.C.	KW
T*(8,L)X*A12	FC/MC/PC37A	0.98	0.96	1.00
T*(8,L)X*B12	FC/MC/PC43B	0.98	0.96	1.00
T*(8,L)X*C16	FC/MC/PC43C	0.92	0.84	0.98
T*(8,L)X*C20	FC/MC/PC43C	0.98	0.96	1.01
T*9X*B12	FC/MC/PC43B	0.98	0.96	1.00
T*9X*C16	FC/MC/PC43C	0.95	0.89	0.99
T*9X*C20	FC/MC/PC43C	0.98	0.96	1.01
T*(8,L)X*C16	FC/MC/PC48C	0.94	0.87	0.99
T*(8,L)X*C20	FC/MC/PC48C	0.99	0.97	1.01
T*9X*C16	FC/MC/PC48C	0.97	0.92	0.99
T*9X*C20	FC/MC/PC48C	0.99	0.98	1.01
T*9X*D20	FC/MC/PC48D	1.00	1.01	1.01
T*(8,L)X*C16	FC/PC60C	0.95	0.88	0.99
T*(8,L)X*C20	FC/MC/PC60D	0.99	0.98	1.01
T*9X*C16	FC/PC60C	0.97	0.92	0.99
T*9X*C20	FC/PC60C	1.00	0.99	1.01
T*9X*D20	FC/MC/PC60D	1.02	1.05	1.01
T*9X*D20	FC/MC62D	1.00	0.99	1.01
T*9X*D20	FC64D	1.02	1.03	1.02
T*(8,L)X*C16	HC42	0.91	0.84	0.98
T*(8,L)X*C20	HC42	0.95	0.94	1.01
T*9X*C16	HC42	0.91	0.84	0.98
T*9X*C20	HC42	0.95	0.91	1.00
T*(8,L)X*C16	UC48C	0.94	0.87	0.99
T*(8,L)X*C20	UC48C	0.98	0.97	1.01
T*9X*C16	UC48C	0.96	0.92	0.99
T*9X*C20	UC48C	0.99	0.99	1.01
T*9X*D20	UC48D	1.00	1.01	1.01
T*(8,L)X*C16	UC60C	0.93	0.86	0.99
T*(8,L)X*C20	UC60D	0.98	0.96	1.01
T*9X*C16	UC60C	0.96	0.91	0.99
T*9X*C20	UC60C	0.98	0.97	1.01
T*9X*D20	UC60D	1.01	1.04	1.01
(Y*(8,L)C/T*8V)*A12	FC/MC/PC37A	0.94	0.86	1.01
(Y*(8,L)C/T*8V)*B12	FC/MC/PC43B	0.96	0.92	1.02

Furnace	Coil	T.C.	S.C.	KW
(Y*(8,L)C/T*8V)*C16	FC/MC/PC43C	0.98	0.95	1.02
(Y*(8,L)C/T*8V)*C20	FC/MC/PC43C	0.97	0.92	1.01
(Y*9C/T*9V)*B12	FC/MC/PC43B	0.98	0.96	1.04
(Y*9C/T*9V)*C16	FC/MC/PC43C	0.98	0.96	1.03
(Y*9C/T*9V)*C20	FC/MC/PC43C	0.97	0.94	1.02
(Y*(8,L)C/T*8V)*C16	FC/MC/PC48C	0.95	0.95	1.00
(Y*(8,L)C/T*8V)*C20	FC/MC/PC48C	0.95	0.90	0.99
(Y*9C/T*9V)*C16	FC/MC/PC48C	0.96	0.95	1.01
(Y*9C/T*9V)*C20	FC/MC/PC48C	0.95	0.91	1.01
(Y*(8,L)C/T*8V)*C16	FC/PC60C	0.96	0.96	1.02
(Y*(8,L)C/T*8V)*C20	FC/PC60C	0.95	0.94	0.98
(Y*9C/T*9V)*C16	FC/PC60C	0.95	0.95	1.02
(Y*9C/T*9V)*C20	FC/PC60C	0.95	0.93	1.01
(Y*9C/T*9V)*D20	FC/MC/PC60D	0.95	0.96	1.01
(Y*9C/T*9V)*D20	FC/MC62D	1.00	0.99	1.02
(Y*9C/T*9V)*D20	FC64D	1.02	1.03	1.02
(Y*(8,L)C/T*8V)*C16	HC42	0.98	0.95	1.02
(Y*(8,L)C/T*8V)*C20	HC42	0.97	0.92	1.01
(Y*9C/T*9V)*C16	HC42	0.98	0.96	1.03
(Y*9C/T*9V)*C20	HC42	0.98	0.94	1.02
(Y*(8,L)C/T*8V)*B12	HD48	0.96	0.92	1.01
(Y*(8,L)C/T*8V)*C16	HD48	0.97	0.95	1.01
(Y*(8,L)C/T*8V)*C20	HD48	0.96	0.90	1.00
(Y*9C/T*9V)*B12	HD48	0.95	0.89	1.02
(Y*9C/T*9V)*C16	HD48	0.96	0.93	1.01
(Y*9C/T*9V)*C20	HD48	0.96	0.92	1.01
(Y*(8,L)C/T*8V)*C16	UC48C	0.98	0.97	1.01
(Y*(8,L)C/T*8V)*C20	UC48C	0.96	0.92	1.00
(Y*9C/T*9V)*C16	UC48C	0.98	0.95	1.02
(Y*9C/T*9V)*C20	UC48C	0.97	0.93	1.02
(Y*(8,L)C/T*8V)*C16	UC60C	0.98	0.95	1.01
(Y*(8,L)C/T*8V)*C20	UC60C	0.98	0.95	1.01
(Y*9C/T*9V)*C16	UC60C	0.98	0.95	1.03
(Y*9C/T*9V)*C20	UC60C	0.97	0.93	1.02
(Y*9C/T*9V)*D20	UC60D	0.98	0.95	1.02

COOLING PERFORMANCE DATA - HIGH CFM 2-STAGE OPERATION																
OUTDOOR UNIT MODEL NO.		YZH03611(C)														
INDOOR COIL MODEL NO.		FC/MC62D + MV12D														
CONDENSER ENTERING AIR TEMPERATURE	ID CFM	1148					1248					1348				
	ID DB (°F)	80	80	75	80	80	80	80	75	80	80	80	80	75	80	80
	ID WB (°F)	57	62	62	67	72	57	62	62	67	72	57	62	62	67	72
65	T.C.	38.4	39.7	40.2	43.7	47.8	39.4	40.6	40.8	44.4	48.5	40.5	41.5	41.3	45.2	49.1
	S.C.	38.4	35.1	30.0	29.8	24.1	39.4	37.0	31.1	30.9	24.9	40.5	38.8	32.2	32.0	25.7
	K.W.	1.7	1.7	1.7	1.8	1.8	1.7	1.7	1.7	1.8	1.8	1.7	1.8	1.8	1.8	1.8
75	T.C.	37.0	38.0	38.2	41.8	45.7	38.0	38.7	38.8	42.4	46.3	39.0	39.4	39.3	43.0	46.9
	S.C.	37.0	34.5	29.3	29.1	23.4	38.0	36.1	30.4	30.2	24.1	39.0	37.7	31.5	31.3	24.8
	K.W.	2.0	2.0	2.0	2.0	2.0	2.0	2.0	2.0	2.0	2.0	2.0	2.0	2.0	2.0	2.1
85	T.C.	35.6	36.2	36.3	39.9	43.6	36.5	36.8	36.8	40.4	44.1	37.4	37.4	37.3	40.9	44.6
	S.C.	35.6	33.9	28.6	28.4	22.6	36.5	35.2	29.7	29.4	23.3	37.4	36.5	30.8	30.5	24.0
	K.W.	2.2	2.2	2.2	2.2	2.3	2.2	2.2	2.2	2.2	2.3	2.2	2.2	2.2	2.3	2.3
95	T.C.	34.2	34.5	34.3	37.9	41.5	35.0	34.9	34.8	38.3	41.9	35.8	35.3	35.3	38.7	42.4
	S.C.	34.2	33.3	27.8	27.7	21.9	35.0	34.3	28.9	28.7	22.5	35.8	35.3	30.0	29.7	23.2
	K.W.	2.4	2.4	2.4	2.5	2.5	2.4	2.4	2.4	2.5	2.5	2.5	2.4	2.4	2.5	2.5
105	T.C.	32.2	32.4	31.9	35.3	38.7	33.0	32.9	32.3	35.7	39.1	33.8	33.5	32.7	36.0	39.5
	S.C.	32.2	31.6	26.9	26.7	20.9	33.0	32.5	28.0	27.8	21.5	33.8	33.5	29.1	28.8	22.2
	K.W.	2.7	2.7	2.7	2.8	2.8	2.8	2.8	2.7	2.8	2.8	2.8	2.8	2.8	2.8	2.8
115	T.C.	30.3	30.4	29.6	32.7	36.0	31.1	31.0	29.9	33.1	36.4	31.9	31.6	30.3	33.4	36.7
	S.C.	30.3	30.0	26.0	25.8	19.9	31.1	30.8	27.1	26.9	20.6	31.9	31.6	28.2	28.0	21.2
	K.W.	3.0	3.0	3.0	3.1	3.1	3.1	3.1	3.0	3.1	3.1	3.1	3.1	3.0	3.1	3.1
125	T.C.	28.4	28.4	27.2	30.1	33.3	29.2	29.1	27.5	30.5	33.6	29.9	29.8	27.8	30.8	33.9
	S.C.	28.4	28.4	25.0	24.9	19.0	29.2	29.1	26.2	26.0	19.6	29.9	29.8	27.3	27.1	20.3
	K.W.	3.3	3.3	3.3	3.4	3.4	3.4	3.4	3.3	3.4	3.4	3.4	3.4	3.3	3.4	3.4

NOTE: ALL CAPACITIES ARE NET (KBTUH) WITH INDOOR FAN HEAT ALREADY DEDUCTED AT 1250 BTUH/1000 CFM.

Multipliers for determining the performance with other indoor sections.

NOTE: For dry bulb temperatures different than those listed (between 73-87 F), sensible capacity increases by 1060 BTUH per 1000 CFM per degree above the listed temperature and decreases by 1060 BTUH per 1000 CFM per degree below the listed temperature.

NOTE: KW RATING IS FOR OUTDOOR AND INDOOR UNITS.

HIGH CFM

Air Handler	Coil	T.C.	S.C.	KW
AHX36	–	0.94	0.97	0.99
AHX48	–	0.97	1.01	0.99
AV36	–	0.98	0.97	0.97
AV/SV48	–	1.01	1.04	0.98
MV16C	FC/MC43C	0.97	0.93	0.95
MV16C	FC/MC48C	0.98	0.95	0.96
MV12D	FC/MC48D	0.97	0.91	0.96
MV12D	FC/MC60D	0.97	0.93	0.97
MV12D	FC64D	1.00	0.99	0.99
–	FC64	0.99	0.99	1.09

Continued on next page.

Furnace	Coil	T.C.	S.C.	KW
T*(8,L)X*A12	FC/MC/PC37A	0.95	0.99	1.03
T*(8,L)X*B12	FC/MC/PC43B	0.95	0.99	1.03
T*(8,L)X*C16	FC/MC/PC43C	0.95	0.96	0.98
T*(8,L)X*C20	FC/MC/PC43C	0.96	1.00	1.00
T*9X*B12	FC/MC/PC43B	0.95	0.99	1.03
T*9X*C16	FC/MC/PC43C	0.95	0.98	1.02
T*9X*C20	FC/MC/PC43C	0.94	0.96	1.00
T*(8,L)X*C16	FC/MC/PC48C	0.96	0.97	0.98
T*(8,L)X*C20	FC/MC/PC48C	0.96	1.00	1.00
T*9X*C16	FC/MC/PC48C	0.96	1.00	1.02
T*9X*C20	FC/MC/PC48C	0.95	0.97	1.00
T*9X*D20	FC/MC/PC48D	0.96	0.99	1.00
T*(8,L)X*C16	FC/PC60C	0.96	0.97	0.98
T*(8,L)X*C20	FC/MC/PC60D	0.96	1.00	1.00
T*9X*C16	FC/PC60C	0.96	1.01	1.01
T*9X*C20	FC/PC60C	0.96	0.98	1.00
T*9X*D20	FC/MC/PC60D	0.97	1.01	0.99
T*9X*D20	FC/MC62D	0.96	0.99	1.00
T*9X*D20	FC64D	1.00	1.01	1.01
T*(8,L)X*C16	HC42	0.96	0.92	1.01
T*(8,L)X*C20	HC42	0.97	0.98	1.01
T*9X*C16	HC42	0.96	0.92	1.03
T*9X*C20	HC42	0.97	0.96	1.04
T*(8,L)X*C16	UC48C	0.95	0.97	0.98
T*(8,L)X*C20	UC48C	0.96	1.01	1.00
T*9X*C16	UC48C	0.96	1.00	1.02
T*9X*C20	UC48C	0.94	0.97	1.00
T*9X*D20	UC48D	0.95	0.99	1.00
T*(8,L)X*C16	UC60C	0.95	0.96	0.98
T*(8,L)X*C20	UC60D	0.95	0.99	0.99
T*9X*C16	UC60C	0.95	1.00	1.01
T*9X*C20	UC60C	0.95	0.97	1.00
T*9X*D20	UC60D	0.96	1.00	0.99
(Y*(8,L)C/T*8V)*A12	FC/MC/PC37A	0.93	0.86	1.03
(Y*(8,L)C/T*8V)*B12	FC/MC/PC43B	0.96	0.94	1.06
(Y*(8,L)C/T*8V)*C16	FC/MC/PC43C	0.98	0.96	1.02
(Y*(8,L)C/T*8V)*C20	FC/MC/PC43C	0.98	0.96	1.01
(Y*9C/T*9V)*B12	FC/MC/PC43B	0.96	0.94	1.06
(Y*9C/T*9V)*C16	FC/MC/PC43C	0.97	0.96	1.05
(Y*9C/T*9V)*C20	FC/MC/PC43C	0.97	0.95	1.02
(Y*(8,L)C/T*8V)*C16	FC/MC/PC48C	0.97	0.96	0.99

Furnace	Coil	T.C.	S.C.	KW
(Y*(8,L)C/T*8V)*C20	FC/MC/PC48C	0.97	0.94	0.98
(Y*9C/T*9V)*C16	FC/MC/PC48C	0.96	0.95	1.02
(Y*9C/T*9V)*C20	FC/MC/PC48C	0.97	0.99	1.05
(Y*(8,L)C/T*8V)*C16	FC/PC60C	0.97	0.96	0.98
(Y*(8,L)C/T*8V)*C20	FC/PC60C	0.97	0.97	0.99
(Y*9C/T*9V)*C16	FC/PC60C	0.96	0.97	1.03
(Y*9C/T*9V)*C20	FC/PC60C	0.97	1.00	1.04
(Y*9C/T*9V)*D20	FC/MC/PC60D	0.96	0.97	1.01
(Y*9C/T*9V)*D20	FC/MC62D	0.99	0.99	1.02
(Y*9C/T*9V)*D20	FC64D	1.00	1.01	1.01
(Y*(8,L)C/T*8V)*C16	HC42	0.97	0.96	1.02
(Y*(8,L)C/T*8V)*C20	HC42	0.97	0.95	1.01
(Y*9C/T*9V)*C16	HC42	0.97	0.95	1.04
(Y*9C/T*9V)*C20	HC42	0.97	0.96	1.02
(Y*(8,L)C/T*8V)*B12	HD48	0.96	0.94	1.04
(Y*(8,L)C/T*8V)*C16	HD48	0.97	0.95	1.01
(Y*(8,L)C/T*8V)*C20	HD48	0.96	0.93	1.00
(Y*9C/T*9V)*B12	HD48	0.94	0.91	1.04
(Y*9C/T*9V)*C16	HD48	0.96	0.95	1.02
(Y*9C/T*9V)*C20	HD48	1.00	0.99	1.05
(Y*(8,L)C/T*8V)*A12	UC36A	0.94	0.90	1.06
(Y*(8,L)C/T*8V)*B12	UC36B	0.94	0.91	1.04
(Y*(8,L)C/T*8V)*C16	UC36C	0.95	0.91	1.02
(Y*(8,L)C/T*8V)*C20	UC36C	0.95	0.91	1.01
(Y*9C/T*9V)*B12	UC36B	0.94	0.90	1.04
(Y*9C/T*9V)*C16	UC36C	0.95	0.91	1.02
(Y*9C/T*9V)*C20	UC36C	0.96	0.95	1.05
(Y*(8,L)C/T*8V)*B12	UC42B	0.95	0.91	1.02
(Y*(8,L)C/T*8V)*C16	UC42C	0.96	0.93	1.00
(Y*(8,L)C/T*8V)*C20	UC42C	0.96	0.92	0.99
(Y*9C/T*9V)*B12	UC42B	0.95	0.92	1.06
(Y*9C/T*9V)*C16	UC42C	0.95	0.91	1.02
(Y*9C/T*9V)*C20	UC42C	0.96	0.96	1.04
(Y*(8,L)C/T*8V)*C16	UC48C	0.97	0.97	1.01
(Y*(8,L)C/T*8V)*C20	UC48C	0.97	0.95	1.00
(Y*9C/T*9V)*C16	UC48C	0.97	0.96	1.02
(Y*9C/T*9V)*C20	UC48C	0.99	1.01	1.06
(Y*(8,L)C/T*8V)*C16	UC60C	0.97	0.95	1.00
(Y*(8,L)C/T*8V)*C20	UC60C	0.97	0.95	1.01
(Y*9C/T*9V)*C16	UC60C	0.97	0.94	1.04
(Y*9C/T*9V)*C20	UC60C	0.98	0.99	1.05
(Y*9C/T*9V)*D20	UC60D	0.97	0.95	1.02

COOLING PERFORMANCE DATA - LOW CFM 1-STAGE OPERATION																
OUTDOOR UNIT MODEL NO.		YZH04811(C)														
INDOOR COIL MODEL NO.		FC/MC62D + MV20D														
CONDENSER ENTERING AIR TEMPERATURE	ID CFM	1000					1050					1100				
	ID DB (°F)	80	80	75	80	80	80	80	75	80	80	80	80	75	80	80
	ID WB (°F)	57	62	62	67	72	57	62	62	67	72	57	62	62	67	72
65	T.C.	33.8	35.9	35.8	39.4	43.5	34.4	36.3	36.2	39.9	43.9	35.0	36.8	36.6	40.4	44.4
	S.C.	33.8	31.5	26.6	26.7	22.2	34.4	32.4	27.2	27.4	22.5	35.0	33.3	27.8	28.0	22.8
	K.W.	1.5	1.5	1.5	1.5	1.5	1.5	1.5	1.5	1.5	1.5	1.5	1.5	1.5	1.5	1.5
75	T.C.	32.6	34.2	34.1	37.7	41.5	33.2	34.6	34.5	38.1	42.0	33.7	35.0	34.8	38.5	42.4
	S.C.	32.6	30.8	25.9	26.0	21.3	33.2	31.7	26.5	26.6	21.6	33.7	32.6	27.1	27.3	21.9
	K.W.	1.8	1.8	1.8	1.8	1.8	1.8	1.8	1.8	1.8	1.8	1.8	1.8	1.8	1.8	1.8
85	T.C.	31.4	32.5	32.5	36.0	39.6	31.9	32.9	32.8	36.3	40.0	32.5	33.2	33.1	36.7	40.4
	S.C.	31.4	30.1	25.2	25.3	20.4	31.9	31.0	25.8	25.9	20.7	32.5	31.9	26.4	26.5	21.1
	K.W.	2.1	2.1	2.1	2.0	2.0	2.1	2.1	2.1	2.0	2.0	2.1	2.1	2.1	2.0	2.0
95	T.C.	30.2	30.8	30.8	34.2	37.6	30.7	31.1	31.1	34.6	38.0	31.2	31.5	31.4	34.9	38.4
	S.C.	30.2	29.5	24.5	24.5	19.4	30.7	30.3	25.1	25.1	19.8	31.2	31.2	25.7	25.7	20.2
	K.W.	2.3	2.3	2.3	2.3	2.3	2.3	2.3	2.3	2.3	2.3	2.3	2.3	2.3	2.3	2.3
105	T.C.	28.3	28.7	28.2	31.6	34.9	28.7	29.0	28.4	31.8	35.2	29.2	29.4	28.7	32.1	35.5
	S.C.	28.3	27.8	23.3	23.5	18.4	28.7	28.5	24.0	24.1	18.7	29.2	29.2	24.6	24.7	19.1
	K.W.	2.7	2.7	2.7	2.7	2.7	2.7	2.7	2.7	2.7	2.7	2.7	2.7	2.7	2.7	2.7
115	T.C.	26.4	26.7	25.6	29.0	32.2	26.9	27.0	25.9	29.2	32.4	27.3	27.4	26.1	29.4	32.7
	S.C.	26.4	26.2	22.3	22.4	17.3	26.9	26.7	22.9	23.1	17.7	27.3	27.3	23.5	23.7	18.0
	K.W.	3.1	3.1	3.1	3.0	3.0	3.0	3.0	3.1	3.0	3.0	3.0	3.0	3.1	3.0	3.0
125	T.C.	24.6	24.6	23.0	26.5	29.5	25.0	25.0	23.3	26.6	29.7	25.3	25.3	23.5	26.7	29.8
	S.C.	24.6	24.6	21.2	21.4	16.2	25.0	25.0	21.8	22.0	16.6	25.3	25.3	22.4	22.6	17.0
	K.W.	3.4	3.4	3.4	3.4	3.4	3.4	3.4	3.4	3.4	3.4	3.4	3.4	3.4	3.4	3.4

NOTE: ALL CAPACITIES ARE NET (KBTUH) WITH INDOOR FAN HEAT ALREADY DEDUCTED AT 1250 BTUH/1000 CFM.

Multipliers for determining the performance with other indoor sections.

NOTE: For dry bulb temperatures different than those listed (between 73-87 F), sensible capacity increases by 1060 BTUH per 1000 CFM per degree above the listed temperature and decreases by 1060 BTUH per 1000 CFM per degree below the listed temperature.

NOTE: KW RATING IS FOR OUTDOOR AND INDOOR UNITS.

LOW CFM

Air Handler	Coil	T.C.	S.C.	KW
AHX48	-	0.99	0.99	0.99
AHX60	-	1.00	0.99	1.00
AV/SV48	-	1.01	1.02	0.99
AV/SV60	-	0.99	1.01	0.97
MV16C	FC/MC48C	1.01	1.02	0.99
MV20D	FC/MC48D	0.99	0.97	0.96
MV20D	FC/MC60D	0.98	0.97	0.95
MV20D	FC64D	1.02	1.03	0.98
-	FC64	1.01	1.05	1.11

Continued on next page.

Furnace	Coil	T.C.	S.C.	KW
T*(8,L)X*C16	FC/MC/PC48C	1.00	1.00	1.01
T*(8,L)X*C20	FC/MC/PC48C	0.95	0.88	0.98
T*9X*C16	FC/MC/PC48C	1.00	1.00	1.01
T*9X*C20	FC/MC/PC48C	1.01	1.03	1.03
T*9X*D20	FC/MC/PC48D	1.01	1.05	1.02
T*(8,L)X*C16	UC48C	1.00	1.00	1.01
T*(8,L)X*C20	UC48C	0.95	0.89	0.98
T*9X*C16	UC48C	1.00	1.00	1.01
T*9X*C20	UC48C	1.01	1.04	1.03
T*9X*D20	UC48D	1.02	1.06	1.02
T*(8,L)X*C16	FC/PC60C	0.99	0.99	1.01
T*(8,L)X*C20	FC/MC/PC60D	0.95	0.88	0.98
T*9X*C16	FC/PC60C	0.99	0.99	1.01
T*9X*C20	FC/PC60C	1.00	1.03	1.03
T*9X*D20	FC/MC/PC60D	1.02	1.08	1.02
T*(8,L)X*C16	FC/MC62D	1.00	1.01	1.01
T*(8,L)X*C20	FC/MC62D	0.95	0.88	0.98
T*9X*C16	FC/MC62D	1.00	1.01	1.01
T*9X*C20	FC/MC62D	1.01	1.05	1.03
T*9X*D20	FC/MC62D	1.02	1.06	1.02
T*(8,L)X*C16	FC64D	1.02	1.04	1.02
T*(8,L)X*C20	FC64D	0.97	0.91	0.98
T*9X*C16	FC64D	1.02	1.02	1.03
T*9X*C20	FC64D	1.04	1.09	1.03
T*(8,L)X*C20	HC60	1.02	1.07	1.04
T*9X*D20	HC60	1.02	1.07	1.07
T*(8,L)X*C16	UC60C	0.99	0.99	1.01
T*(8,L)X*C20	UC60D	0.94	0.88	0.98
T*9X*C16	UC60C	0.99	0.99	1.01
T*9X*C20	UC60C	1.00	1.02	1.03
T*9X*D20	UC60D	1.02	1.07	1.02
(Y*(8,L)C/T*8V)*C16	FC/MC/PC48C	0.99	0.97	1.02
(Y*(8,L)C/T*8V)*C20	FC/MC/PC48C	0.99	0.99	0.95
(Y*9C/T*9V)*C16	FC/MC/PC48C	0.99	0.97	1.03
(Y*9C/T*9V)*C20	FC/MC/PC48C	0.99	0.98	1.02

Furnace	Coil	T.C.	S.C.	KW
(Y*9C/T*9V)*D20	FC/MC/PC48D	0.99	0.98	1.03
(Y*(8,L)C/T*8V)*C16	FC/PC60C	0.98	0.95	1.02
(Y*(8,L)C/T*8V)*C20	FC/PC60C	0.98	0.97	1.01
(Y*9C/T*9V)*C16	FC/PC60C	0.98	0.98	1.03
(Y*9C/T*9V)*C20	FC/PC60C	0.99	0.98	1.02
(Y*9C/T*9V)*D20	FC/MC/PC60D	0.99	0.99	1.03
(Y*(8,L)C/T*8V)*C20	FC/MC62D	0.98	0.96	1.00
(Y*9C/T*9V)*D20	FC/MC62D	0.99	0.99	1.03
(Y*(8,L)C/T*8V)*C16	FC64D	1.01	1.00	1.01
(Y*(8,L)C/T*8V)*C20	FC64D	1.01	0.99	1.00
(Y*9C/T*9V)*C16	FC64D	1.01	1.00	1.02
(Y*9C/T*9V)*C20	FC64D	1.01	1.00	1.02
(Y*9C/T*9V)*D20	FC64D	1.02	1.03	0.98
(Y*(8,L)C/T*8V)*C20	HC60	0.99	0.96	1.01
(Y*9C/T*9V)*D20	HC60	0.98	0.99	1.03
(Y*(8,L)C/T*8V)*C16	HD48	0.98	0.95	1.02
(Y*(8,L)C/T*8V)*C20	HD48	0.96	0.95	1.03
(Y*9C/T*9V)*C16	HD48	0.98	0.95	1.03
(Y*9C/T*9V)*C20	HD48	0.98	0.95	1.02
(Y*9C/T*9V)*D20	HD48	0.95	0.94	1.03
(Y*(8,L)C/T*8V)*C16	HD60	0.99	0.96	1.01
(Y*(8,L)C/T*8V)*C20	HD60	0.99	0.96	1.00
(Y*9C/T*9V)*C16	HD60	0.99	0.97	1.03
(Y*9C/T*9V)*C20	HD60	0.99	0.97	1.02
(Y*9C/T*9V)*D20	HD60	0.99	0.98	1.03
(Y*(8,L)C/T*8V)*C16	UC48C	0.98	0.97	1.02
(Y*(8,L)C/T*8V)*C20	UC48C	1.00	0.99	1.03
(Y*9C/T*9V)*C16	UC48C	0.99	0.98	1.03
(Y*9C/T*9V)*C20	UC48C	0.98	0.98	1.02
(Y*9C/T*9V)*D20	UC48D	0.98	0.98	1.03
(Y*(8,L)C/T*8V)*C16	UC60C	0.98	0.95	1.01
(Y*(8,L)C/T*8V)*C20	UC60C	0.98	0.95	1.00
(Y*9C/T*9V)*C16	UC60C	0.98	0.95	1.03
(Y*9C/T*9V)*C20	UC60C	0.98	0.96	1.02
(Y*9C/T*9V)*D20	UC60D	0.98	0.96	1.03

COOLING PERFORMANCE DATA - HIGH CFM 2-STAGE OPERATION																
OUTDOOR UNIT MODEL NO.		YZH04811(C)														
INDOOR COIL MODEL NO.		FC/MC62D + MV20D														
CONDENSER ENTERING AIR TEMPERATURE	ID CFM	1470					1570					1670				
	ID DB (°F)	80	80	75	80	80	80	80	75	80	80	80	80	75	80	80
	ID WB (°F)	57	62	62	67	72	57	62	62	67	72	57	62	62	67	72
65	T.C.	47.6	49.8	49.6	54.3	58.9	48.5	50.1	50.2	54.9	59.2	49.5	50.5	50.8	55.5	59.5
	S.C.	47.6	44.6	37.5	37.5	30.0	48.5	46.3	38.7	38.5	30.5	49.5	48.0	39.8	39.6	31.0
	K.W.	2.3	2.3	2.3	2.4	2.5	2.3	2.3	2.3	2.4	2.5	2.3	2.4	2.4	2.4	2.5
75	T.C.	45.9	47.5	47.5	51.8	56.3	46.8	47.9	48.0	52.4	56.7	47.7	48.2	48.5	52.9	57.0
	S.C.	45.9	43.6	36.5	36.4	28.9	46.8	45.1	37.6	37.5	29.5	47.7	46.6	38.7	38.5	30.0
	K.W.	2.7	2.7	2.7	2.7	2.8	2.7	2.7	2.7	2.7	2.8	2.7	2.7	2.7	2.7	2.8
85	T.C.	44.3	45.3	45.4	49.4	53.8	45.1	45.7	45.7	49.8	54.2	46.0	46.0	46.1	50.3	54.6
	S.C.	44.3	42.7	35.5	35.4	27.9	45.1	43.9	36.6	36.4	28.5	46.0	45.2	37.7	37.4	29.0
	K.W.	3.0	3.0	3.0	3.1	3.1	3.0	3.0	3.0	3.1	3.1	3.0	3.0	3.0	3.1	3.1
95	T.C.	42.6	43.0	43.3	47.0	51.2	43.4	43.4	43.5	47.3	51.7	44.2	43.8	43.7	47.7	52.2
	S.C.	42.6	41.7	34.5	34.3	26.8	43.4	42.8	35.6	35.3	27.4	44.2	43.8	36.6	36.3	28.0
	K.W.	3.3	3.3	3.3	3.4	3.5	3.3	3.3	3.3	3.4	3.5	3.3	3.3	3.3	3.4	3.5
105	T.C.	40.1	40.4	40.0	43.6	47.5	40.8	40.8	40.2	43.9	47.9	41.5	41.2	40.5	44.2	48.3
	S.C.	40.1	39.6	33.1	32.9	25.3	40.8	40.4	34.1	33.9	25.9	41.5	41.2	35.2	34.9	26.5
	K.W.	3.8	3.8	3.7	3.8	3.9	3.8	3.8	3.8	3.8	3.9	3.8	3.8	3.8	3.8	3.9
115	T.C.	37.7	37.9	36.8	40.4	44.0	38.3	38.3	37.1	40.6	44.3	38.9	38.8	37.3	40.9	44.6
	S.C.	37.7	37.5	31.6	31.4	23.8	38.3	38.1	32.7	32.5	24.4	38.9	38.8	33.8	33.6	25.1
	K.W.	4.2	4.2	4.1	4.2	4.3	4.2	4.2	4.2	4.2	4.3	4.2	4.2	4.2	4.2	4.3
125	T.C.	35.3	35.3	33.7	37.1	40.4	35.8	35.8	33.9	37.3	40.6	36.3	36.3	34.2	37.5	40.8
	S.C.	35.3	35.3	30.2	30.0	22.3	35.8	35.8	31.3	31.1	22.9	36.3	36.3	32.5	32.2	23.6
	K.W.	4.6	4.6	4.6	4.6	4.7	4.6	4.6	4.6	4.6	4.7	4.6	4.6	4.6	4.6	4.7

NOTE: ALL CAPACITIES ARE NET (KBTUH) WITH INDOOR FAN HEAT ALREADY DEDUCTED AT 1250 BTUH/1000 CFM.

Multipliers for determining the performance with other indoor sections.

NOTE: For dry bulb temperatures different than those listed (between 73-87 F), sensible capacity increases by 1060 BTUH per 1000 CFM per degree above the listed temperature and decreases by 1060 BTUH per 1000 CFM per degree below the listed temperature.

NOTE: KW RATING IS FOR OUTDOOR AND INDOOR UNITS.

HIGH CFM

Air Handler	Coil	T.C.	S.C.	KW
AHX48	–	1.00	1.06	1.01
AHX60	–	1.00	1.07	1.03
AV/SV48	–	1.00	1.00	0.98
AV/SV60	–	1.01	1.01	0.98
MV16C	FC/MC48C	1.00	1.00	0.98
MV20D	FC/MC48D	0.99	0.97	0.96
MV20D	FC/MC60D	1.00	1.00	0.98
MV20D	FC64D	1.01	1.03	1.01
–	FC64	0.99	1.00	1.06

Continued on next page.

Furnace	Coil	T.C.	S.C.	KW
T*(8,L)X*C16	FC/MC/PC48C	0.99	1.02	1.02
T*(8,L)X*C20	FC/MC/PC48C	1.00	1.05	1.01
T*9X*C16	FC/MC/PC48C	0.99	1.02	1.02
T*9X*C20	FC/MC/PC48C	0.99	1.03	1.01
T*9X*D20	FC/MC/PC48D	0.99	1.03	1.02
T*(8,L)X*C16	UC48C	0.99	1.03	1.02
T*(8,L)X*C20	UC48C	0.99	1.02	0.98
T*9X*C16	UC48C	0.99	1.03	1.02
T*9X*C20	UC48C	1.00	1.03	1.01
T*9X*D20	UC48D	0.99	1.04	1.02
T*(8,L)X*C16	FC/PC60C	0.99	1.02	1.02
T*(8,L)X*C20	FC/MC/PC60D	0.99	1.02	1.01
T*9X*C16	FC/PC60C	0.99	1.02	1.02
T*9X*C20	FC/PC60C	1.00	1.03	1.01
T*9X*D20	FC/MC/PC60D	0.99	1.00	0.97
T*(8,L)X*C16	FC/MC62D	1.00	1.05	1.02
T*(8,L)X*C20	FC/MC62D	1.01	1.07	1.01
T*9X*C16	FC/MC62D	1.00	1.04	1.02
T*9X*C20	FC/MC62D	1.00	1.04	1.02
T*9X*D20	FC/MC62D	1.00	1.04	1.03
T*(8,L)X*C16	FC64D	1.00	1.02	1.04
T*(8,L)X*C20	FC64D	1.01	1.04	1.01
T*9X*C16	FC64D	1.00	1.00	1.06
T*9X*C20	FC64D	1.00	1.02	1.00
T*(8,L)X*C20	HC60	1.00	1.01	1.03
T*9X*D20	HC60	1.00	1.00	1.05
T*(8,L)X*C16	UC60C	0.98	1.01	1.02
T*(8,L)X*C20	UC60D	0.99	1.01	0.97
T*9X*C16	UC60C	0.98	1.01	1.02
T*9X*C20	UC60C	0.99	1.02	1.01
T*9X*D20	UC60D	0.98	0.99	0.97
(Y*(8,L)C/T*8V)*C16	FC/MC/PC48C	0.98	0.95	1.06
(Y*(8,L)C/T*8V)*C20	FC/MC/PC48C	0.99	0.97	1.05
(Y*9C/T*9V)*C16	FC/MC/PC48C	0.98	0.96	1.05
(Y*9C/T*9V)*C20	FC/MC/PC48C	0.98	0.96	1.05

Furnace	Coil	T.C.	S.C.	KW
(Y*9C/T*9V)*D20	FC/MC/PC48D	0.99	0.97	1.05
(Y*(8,L)C/T*8V)*C16	FC/PC60C	0.99	0.96	1.05
(Y*(8,L)C/T*8V)*C20	FC/PC60C	0.99	0.97	1.04
(Y*9C/T*9V)*C16	FC/PC60C	0.99	0.98	1.05
(Y*9C/T*9V)*C20	FC/PC60C	0.99	0.98	1.05
(Y*9C/T*9V)*D20	FC/MC/PC60D	0.98	0.98	1.04
(Y*(8,L)C/T*8V)*C20	FC/MC62D	0.99	0.99	1.03
(Y*9C/T*9V)*D20	FC/MC62D	0.99	0.99	1.05
(Y*(8,L)C/T*8V)*C16	FC64D	1.01	1.03	1.05
(Y*(8,L)C/T*8V)*C20	FC64D	1.00	1.02	1.02
(Y*9C/T*9V)*C16	FC64D	1.00	1.01	1.06
(Y*9C/T*9V)*C20	FC64D	1.00	1.02	1.06
(Y*9C/T*9V)*D20	FC64D	1.00	1.02	1.03
(Y*(8,L)C/T*8V)*C20	HC60	0.99	0.98	1.02
(Y*9C/T*9V)*D20	HC60	0.99	0.98	1.05
(Y*(8,L)C/T*8V)*C16	HD48	0.97	0.95	1.05
(Y*(8,L)C/T*8V)*C20	HD48	0.97	0.95	1.05
(Y*9C/T*9V)*C16	HD48	0.97	0.94	1.05
(Y*9C/T*9V)*C20	HD48	0.97	0.94	1.05
(Y*9C/T*9V)*D20	HD48	0.97	0.95	1.05
(Y*(8,L)C/T*8V)*C16	HD60	0.98	0.98	1.04
(Y*(8,L)C/T*8V)*C20	HD60	0.99	0.99	1.02
(Y*9C/T*9V)*C16	HD60	0.98	0.98	1.05
(Y*9C/T*9V)*C20	HD60	0.98	0.98	1.05
(Y*9C/T*9V)*D20	HD60	0.98	0.98	1.05
(Y*(8,L)C/T*8V)*C16	UC48C	0.99	0.97	1.05
(Y*(8,L)C/T*8V)*C20	UC48C	0.99	0.97	1.05
(Y*9C/T*9V)*C16	UC48C	0.99	0.97	1.05
(Y*9C/T*9V)*C20	UC48C	0.99	0.97	1.05
(Y*9C/T*9V)*D20	UC48D	0.99	0.97	1.05
(Y*(8,L)C/T*8V)*C16	UC60C	0.98	0.96	1.04
(Y*(8,L)C/T*8V)*C20	UC60C	0.99	0.97	1.02
(Y*9C/T*9V)*C16	UC60C	0.98	0.96	1.05
(Y*9C/T*9V)*C20	UC60C	0.98	0.96	1.05
(Y*9C/T*9V)*D20	UC60D	0.98	0.96	1.04

COOLING PERFORMANCE DATA - LOW CFM 1-STAGE OPERATION																
OUTDOOR UNIT MODEL NO.		YZH06011(C)														
INDOOR COIL MODEL NO.		FC/MC62D + MV20D														
CONDENSER ENTERING AIR TEMPERATURE	ID CFM	1125					1175					1225				
	ID DB (°F)	80	80	75	80	80	80	80	75	80	80	80	80	75	80	80
	ID WB (°F)	57	62	62	67	72	57	62	62	67	72	57	62	62	67	72
65	T.C.	40.8	44.0	43.6	48.6	53.8	41.5	44.4	44.1	49.2	54.3	42.3	44.8	44.7	49.8	54.9
	S.C.	40.8	37.2	31.3	31.5	25.9	41.5	38.0	32.0	32.1	26.3	42.3	38.9	32.6	32.7	26.8
	K.W.	2.0	2.0	2.0	2.0	2.0	2.0	2.0	2.0	2.0	2.0	2.0	2.0	2.0	2.0	2.0
75	T.C.	39.3	42.0	41.7	46.5	51.4	40.0	42.4	42.2	47.0	51.9	40.8	42.8	42.7	47.5	52.5
	S.C.	39.3	36.4	30.5	30.6	24.9	40.0	37.3	31.2	31.2	25.3	40.8	38.2	31.8	31.8	25.7
	K.W.	2.3	2.3	2.3	2.3	2.3	2.3	2.3	2.3	2.3	2.3	2.3	2.3	2.3	2.3	2.3
85	T.C.	37.9	39.9	39.7	44.3	49.1	38.5	40.4	40.2	44.8	49.6	39.2	40.8	40.8	45.3	50.0
	S.C.	37.9	35.6	29.7	29.8	23.8	38.5	36.6	30.4	30.4	24.3	39.2	37.5	31.1	31.0	24.7
	K.W.	2.7	2.7	2.7	2.7	2.7	2.7	2.7	2.7	2.7	2.7	2.7	2.7	2.7	2.7	2.7
95	T.C.	36.4	37.9	37.8	42.2	46.7	37.0	38.4	38.3	42.6	47.2	37.6	38.9	38.8	43.0	47.6
	S.C.	36.4	34.9	28.9	28.9	22.8	37.0	35.8	29.6	29.5	23.2	37.6	36.8	30.4	30.2	23.7
	K.W.	3.1	3.0	3.1	3.0	3.0	3.1	3.0	3.0	3.0	3.0	3.1	3.0	3.0	3.0	3.0
105	T.C.	34.4	35.1	35.0	39.0	43.7	34.9	35.7	35.4	39.5	44.1	35.4	36.3	35.9	39.9	44.5
	S.C.	34.4	33.1	27.8	27.7	21.6	34.9	34.0	28.5	28.3	22.1	35.4	34.9	29.2	29.0	22.5
	K.W.	3.5	3.5	3.5	3.5	3.5	3.5	3.5	3.5	3.5	3.5	3.5	3.5	3.5	3.5	3.5
115	T.C.	32.4	32.3	32.3	36.0	40.7	32.8	33.1	32.7	36.4	41.1	33.3	33.8	33.0	36.8	41.4
	S.C.	32.4	31.3	26.7	26.5	20.5	32.8	32.2	27.4	27.2	20.9	33.3	33.1	28.0	27.8	21.3
	K.W.	4.0	4.0	4.0	4.0	4.0	4.0	4.0	4.0	4.0	4.0	4.0	4.0	4.0	4.0	4.0
125	T.C.	30.4	29.6	29.6	33.0	37.7	30.7	30.4	29.9	33.4	38.0	31.1	31.3	30.2	33.8	38.4
	S.C.	30.4	29.6	25.5	25.4	19.4	30.7	30.4	26.2	26.0	19.8	31.1	31.3	26.9	26.7	20.2
	K.W.	4.5	4.5	4.5	4.4	4.4	4.5	4.5	4.5	4.4	4.4	4.5	4.5	4.5	4.4	4.4

NOTE: ALL CAPACITIES ARE NET (KBTUH) WITH INDOOR FAN HEAT ALREADY DEDUCTED AT 1250 BTUH/1000 CFM.

Multipliers for determining the performance with other indoor sections.

NOTE: For dry bulb temperatures different than those listed (between 73-87 F), sensible capacity increases by 1060 BTUH per 1000 CFM per degree above the listed temperature and decreases by 1060 BTUH per 1000 CFM per degree below the listed temperature.

NOTE: KW RATING IS FOR OUTDOOR AND INDOOR UNITS.

LOW CFM

Air Handler	Coil	T.C.	S.C.	KW
AHX60	-	0.98	0.96	1.00
AV/SV*60	-	0.99	0.97	0.98
MV20D	FC/MC60D	0.96	0.87	1.09
MV20D	FC64D	1.02	1.03	1.00
-	FC64	1.02	1.07	1.10

Furnace	Coil	T.C.	S.C.	KW
T*(8,L)X*C20	FC/PC60C	0.93	0.86	0.98
T*9X*C20	FC/PC60C	0.99	0.99	1.02
T*9X*D20	FC/MC/PC60D	1.01	1.03	1.01
T*(8,L)X*C20	FC/MC/PC60D	0.95	0.88	0.98
T*9X*C20	FC/MC/PC60D	1.00	1.02	1.01
T*(8,L)X*C20	FC/MC62D	0.93	0.86	0.98
T*9X*C20	FC/MC62D	1.00	1.01	1.02
T*9X*D20	FC/MC62D	1.01	1.02	1.01
T*(8,L)X*C20	FC64D	0.95	0.89	0.97
T*9X*C20	FC64D	1.02	1.04	1.02
T*9X*D20	FC64D	1.02	1.05	1.03
T*(8,L)X*C20	HC60	1.00	1.02	1.03
T*9X*D20	HC60	1.00	1.02	1.03
T*(8,L)X*C20	UC60C	0.93	0.85	0.98
T*9X*C20	UC60C	0.99	0.98	1.02

Furnace	Coil	T.C.	S.C.	KW
T*9X*D20	UC60D	1.01	1.03	1.01
T*(8,L)X*C20	UC60D	0.94	0.88	0.98
T*9X*C20	UC60D	1.00	1.02	1.01
(Y*(8,L)C/T*8V)*C20	FC/PC60C	0.98	0.93	1.00
(Y*9C/T*9V)*C20	FC/PC60C	0.98	0.95	1.01
(Y*(8,L)C/T*8V)*C20	FC/MC/PC60D	0.97	0.93	1.00
(Y*9C/T*9V)*C20	FC/MC/PC60D	0.97	0.93	1.01
(Y*9C/T*9V)*D20	FC/MC/PC60D	0.99	0.95	1.01
(Y*(8,L)C/T*8V)*C20	FC/MC62D	0.96	0.94	1.00
(Y*9C/T*9V)*C20	FC/MC62D	0.97	0.94	1.01
(Y*9C/T*9V)*D20	FC/MC62D	0.98	0.96	1.01
(Y*(8,L)C/T*8V)*C20	FC64D	1.00	0.96	1.00
(Y*9C/T*9V)*C20	FC64D	0.99	0.97	1.00
(Y*9C/T*9V)*D20	FC64D	1.00	0.99	1.00
(Y*(8,L)C/T*8V)*C20	HC60	0.98	0.93	1.01
(Y*9C/T*9V)*D20	HC60	0.98	0.95	1.01
(Y*(8,L)C/T*8V)*C20	HD60	0.96	0.92	0.99
(Y*9C/T*9V)*C20	HD60	0.96	0.93	1.00
(Y*9C/T*9V)*D20	HD60	0.97	0.94	1.01
(Y*(8,L)C/T*8V)*C20	UC60C	0.96	0.91	1.00
(Y*9C/T*9V)*C20	UC60C	0.96	0.93	1.01
(Y*9C/T*9V)*D20	UC60D	0.96	0.93	1.02

COOLING PERFORMANCE DATA - HIGH CFM 2-STAGE OPERATION																
OUTDOOR UNIT MODEL NO.		YZH06011(C)														
INDOOR COIL MODEL NO.		FC/MC62D + MV20D														
CONDENSER ENTERING AIR TEMPERATURE	ID CFM	1718					1818					1918				
	ID DB (°F)	80	80	75	80	80	80	80	75	80	80	80	80	75	80	80
	ID WB (°F)	57	62	62	67	72	57	62	62	67	72	57	62	62	67	72
65	T.C.	57.5	60.6	60.7	65.4	73.0	58.5	61.3	61.4	66.1	73.4	59.5	62.0	62.0	66.8	73.8
	S.C.	57.5	53.3	45.1	44.5	37.1	58.5	54.8	46.3	45.7	37.5	59.5	56.4	47.5	46.9	38.0
	K.W.	2.8	2.9	2.9	3.0	3.1	2.8	2.9	2.9	3.0	3.1	2.9	2.9	2.9	3.0	3.1
75	T.C.	55.5	57.9	58.0	62.8	69.7	56.5	58.6	58.6	63.5	70.1	57.4	59.2	59.2	64.1	70.5
	S.C.	55.5	52.1	43.9	43.4	35.5	56.5	53.6	45.0	44.5	36.0	57.4	55.2	46.2	45.7	36.6
	K.W.	3.3	3.4	3.4	3.5	3.6	3.3	3.4	3.4	3.5	3.6	3.4	3.4	3.4	3.5	3.6
85	T.C.	53.5	55.2	55.3	60.3	66.4	54.4	55.8	55.9	60.8	66.8	55.3	56.4	56.5	61.4	67.2
	S.C.	53.5	50.8	42.6	42.3	33.9	54.4	52.4	43.7	43.3	34.5	55.3	53.9	44.9	44.4	35.1
	K.W.	3.8	3.8	3.8	4.0	4.1	3.8	3.8	3.9	4.0	4.1	3.8	3.9	3.9	4.0	4.1
95	T.C.	51.5	52.6	52.6	57.7	63.1	52.4	53.1	53.2	58.2	63.5	53.3	53.6	53.7	58.7	63.9
	S.C.	51.5	49.6	41.4	41.1	32.4	52.4	51.2	42.5	42.2	33.0	53.3	52.7	43.6	43.2	33.6
	K.W.	4.3	4.3	4.3	4.4	4.6	4.3	4.3	4.3	4.5	4.6	4.3	4.3	4.3	4.5	4.6
105	T.C.	48.8	49.1	49.2	54.0	59.4	49.6	49.9	49.7	54.4	59.8	50.4	50.7	50.1	54.7	60.2
	S.C.	48.8	47.2	39.8	39.5	30.8	49.6	48.6	40.9	40.5	31.5	50.4	50.1	42.0	41.6	32.1
	K.W.	4.9	4.9	4.9	5.0	5.1	4.9	4.9	4.9	5.0	5.1	4.9	4.9	4.9	5.0	5.1
115	T.C.	46.3	45.8	45.9	50.4	55.8	47.0	46.8	46.3	50.6	56.2	47.7	47.8	46.7	50.9	56.5
	S.C.	46.3	44.9	38.2	37.9	29.4	47.0	46.2	39.3	38.9	30.0	47.7	47.5	40.4	40.0	30.6
	K.W.	5.4	5.4	5.4	5.5	5.6	5.5	5.5	5.5	5.5	5.6	5.5	5.5	5.5	5.5	5.6
125	T.C.	43.7	42.5	42.6	46.8	52.2	44.3	43.7	42.9	46.9	52.5	44.9	44.9	43.2	47.1	52.9
	S.C.	43.7	42.5	36.7	36.3	27.9	44.3	43.7	37.8	37.3	28.5	44.9	44.9	38.8	38.4	29.1
	K.W.	6.0	6.0	6.0	6.1	6.1	6.0	6.0	6.0	6.1	6.1	6.1	6.1	6.0	6.1	6.2

NOTE: ALL CAPACITIES ARE NET (KBTUH) WITH INDOOR FAN HEAT ALREADY DEDUCTED AT 1250 BTUH/1000 CFM.

Multipliers for determining the performance with other indoor sections.

NOTE: For dry bulb temperatures different than those listed (between 73-87 F), sensible capacity increases by 1060 BTUH per 1000 CFM per degree above the listed temperature and decreases by 1060 BTUH per 1000 CFM per degree below the listed temperature.

NOTE: KW RATING IS FOR OUTDOOR AND INDOOR UNITS.

HIGH CFM

Air Handler	Coil	T.C.	S.C.	KW
AHX60	-	1.02	1.08	1.03
AV/SV*60C	-	0.99	0.97	0.97
MV20DC	FC/MC60D	1.00	0.60	1.18
MV20D	FC64D	1.00	1.00	1.04
-	FC64	1.02	1.03	1.02

Furnace	Coil	T.C.	S.C.	KW
T*(8,L)X*C20	FC/PC60C	0.99	0.99	0.97
T*9X*C20	FC/PC60C	1.00	1.00	0.97
T*9X*D20	FC/MC/PC60D	1.01	1.03	0.97
T*(8,L)X*C20	FC/MC/PC60D	1.01	1.02	0.97
T*9X*C20	FC/MC/PC60D	1.00	1.00	0.97
T*(8,L)X*C20	FC/MC62D	1.01	1.03	0.98
T*9X*C20	FC/MC62D	1.00	1.01	0.98
T*9X*D20	FC/MC62D	1.01	1.02	0.98
T*(8,L)X*C20	FC64D	1.01	1.00	0.99
T*9X*C20	FC64D	1.00	0.98	1.00
T*9X*D20	FC64D	1.00	0.98	1.02
T*(8,L)X*C20	HC60	0.98	0.95	1.00
T*9X*D20	HC60	0.98	0.95	1.02
T*(8,L)X*C20	UC60C	0.99	0.98	0.97
T*9X*C20	UC60C	0.99	0.99	0.97

Furnace	Coil	T.C.	S.C.	KW
T*9X*D20	UC60D	1.00	1.02	0.97
T*(8,L)X*C20	UC60D	1.00	1.01	0.97
T*9X*C20	UC60D	0.99	1.00	0.97
(Y*(8,L)C/T*8V)*C20	FC/PC60C	0.97	0.93	1.00
(Y*9C/T*9V)*C20	FC/PC60C	0.97	0.93	1.01
(Y*(8,L)C/T*8V)*C20	FC/MC/PC60D	0.97	0.93	0.99
(Y*9C/T*9V)*C20	FC/MC/PC60D	0.96	0.93	1.01
(Y*9C/T*9V)*D20	FC/MC/PC60D	0.97	0.93	1.01
(Y*(8,L)C/T*8V)*C20	FC/MC62D	0.98	0.94	1.03
(Y*9C/T*9V)*C20	FC/MC62D	0.98	0.94	1.02
(Y*9C/T*9V)*D20	FC/MC62D	0.98	0.94	1.01
(Y*(8,L)C/T*8V)*C20	FC64D	1.00	0.98	1.03
(Y*9C/T*9V)*C20	FC64D	0.99	0.98	1.02
(Y*9C/T*9V)*D20	FC64D	1.00	0.98	1.02
(Y*(8,L)C/T*8V)*C20	HC60	0.97	0.93	0.99
(Y*9C/T*9V)*D20	HC60	0.97	0.93	1.01
(Y*(8,L)C/T*8V)*C20	HD60	0.97	0.93	0.99
(Y*9C/T*9V)*C20	HD60	0.96	0.94	1.01
(Y*9C/T*9V)*D20	HD60	0.97	0.93	1.00
(Y*(8,L)C/T*8V)*C20	UC60C	0.96	0.91	0.99
(Y*9C/T*9V)*C20	UC60C	0.95	0.91	1.01
(Y*9C/T*9V)*D20	UC60D	0.96	0.91	1.00

HEATING PERFORMANCE DATA - LOW CFM 1-STAGE OPERATION										
OUTDOOR UNIT MODEL NO.		YZH02411(C)								
INDOOR COIL MODEL NO.		FC/MC/PC48D + MV12D								
AIR TEMP. ENTERING OUTDOOR UNIT	AIR TEMP. ENTERING INDOOR COIL	ID CFM								
		600			650			700		
		MBTUH	KW	C.O.P.	MBTUH	KW	C.O.P.	MBTUH	KW	C.O.P.
60	60	24.2	1.4	5.2	24.4	1.3	5.4	24.5	1.3	5.6
	70	23.9	1.5	4.6	24.0	1.5	4.7	24.1	1.4	4.9
	80	23.5	1.7	4.1	23.5	1.6	4.2	23.6	1.6	4.3
47	60	19.8	1.3	4.5	19.8	1.2	4.6	19.8	1.2	4.8
	70	19.3	1.4	4.0	19.3	1.4	4.1	19.4	1.4	4.2
	80	18.8	1.6	3.6	18.9	1.5	3.6	19.0	1.5	3.7
40	60	17.1	1.2	4.1	17.1	1.2	4.2	17.1	1.2	4.3
	70	16.9	1.4	3.7	16.9	1.3	3.7	17.0	1.3	3.8
	80	16.7	1.5	3.3	16.7	1.5	3.3	16.8	1.4	3.4
30	60	13.9	1.2	3.5	14.0	1.1	3.6	14.1	1.1	3.7
	70	14.0	1.3	3.1	14.0	1.3	3.2	14.0	1.3	3.3
	80	14.0	1.4	2.8	13.9	1.4	2.9	13.9	1.4	2.9
17	60	10.5	1.1	2.8	10.9	1.1	2.9	11.4	1.1	3.0
	70	10.4	1.2	2.5	10.6	1.2	2.5	10.8	1.2	2.6
	80	10.3	1.4	2.2	10.3	1.3	2.2	10.3	1.3	2.3
10	60	9.0	1.1	2.3	9.0	1.1	2.4	9.0	1.1	2.4
	70	8.5	1.2	2.1	8.5	1.2	2.1	8.6	1.2	2.2
	80	8.0	1.2	1.9	8.1	1.2	1.9	8.2	1.2	2.0

NOTE: ALL CAPACITIES INCLUDE INDOOR FAN HEAT AT 1250 BTUH/1000 CFM.

Multipliers for determining the performance with other indoor section.

NOTE: KW RATING IS FOR OUTDOOR AND INDOOR UNITS.

LOW CFM

Air Handler	Coil	MBH	COP	KW
AHX36	-	0.94	0.88	1.06
AV*36	-	1.00	1.00	1.00
MV12B	FC/MC43B	1.00	1.00	1.00
MV12D	FC/MC60D	1.00	1.00	1.00

Furnace	Coil	MBH	COP	KW
T*(8,L)X*A12	FC/MC/PC37A	0.94	0.99	0.95
T*(8,L)X*B12	FC/MC/PC43B	0.95	1.03	0.93
T*(8,L)X*C16	FC/MC/PC43C	0.94	0.98	0.96
T*9X*B12	FC/MC/PC43B	0.94	0.99	0.95
T*9X*C16	FC/MC/PC43C	0.95	0.98	0.96

Furnace	Coil	MBH	COP	KW
T*9X*C16	FC/MC/PC48C	0.95	1.00	0.95
T*(8,L)X*B12	HC42	1.06	0.92	1.15
T*(8,L)X*C16	HC42	1.04	0.90	1.15
T*9X*B12	HC42	1.02	0.94	1.09
T*9X*C16	HC42	1.04	0.93	1.12
T*9X*C16	UC48C	0.96	1.06	0.91
(Y*(8,L)C/T*8V)*A12	FC/MC/PC37A	1.01	0.96	0.97
(Y*(8,L)C/T*8V)*B12	FC/MC/PC43B	0.97	0.92	1.06
(Y*9C/T*9V)*B12	FC/MC/PC43B	1.00	0.97	0.97
(Y*(8,L)C/T*8V)*B12	HC42	1.02	0.92	1.11
(Y*9C/T*9V)*B12	HC42	1.01	0.94	1.07

HEATING PERFORMANCE DATA - HIGH CFM 2-STAGE OPERATION										
OUTDOOR UNIT MODEL NO.		YZH02411(C)								
INDOOR COIL MODEL NO.		FC/MC/PC48D + MV12D								
AIR TEMP. ENTERING OUTDOOR UNIT	AIR TEMP. ENTERING INDOOR COIL	ID CFM								
		750			850			950		
		MBTUH	KW	C.O.P.	MBTUH	KW	C.O.P.	MBTUH	KW	C.O.P.
60	60	31.6	1.7	5.4	32.0	1.7	5.6	32.4	1.6	5.9
	70	30.9	1.9	4.8	31.4	1.8	5.0	31.9	1.8	5.3
	80	30.2	2.0	4.4	30.7	2.0	4.6	31.3	1.9	4.8
47	60	26.8	1.6	4.8	27.0	1.6	5.0	27.2	1.5	5.2
	70	26.4	1.8	4.3	26.6	1.7	4.5	26.8	1.7	4.7
	80	25.9	1.9	3.9	26.1	1.9	4.1	26.3	1.8	4.2
40	60	24.4	1.6	4.5	24.5	1.5	4.7	24.6	1.5	4.9
	70	23.9	1.7	4.1	24.1	1.7	4.2	24.3	1.6	4.4
	80	23.5	1.9	3.7	23.7	1.8	3.8	23.9	1.8	3.9
30	60	20.7	1.5	4.1	20.9	1.5	4.2	21.0	1.4	4.3
	70	20.5	1.6	3.7	20.7	1.6	3.8	20.8	1.6	3.9
	80	20.4	1.8	3.3	20.5	1.7	3.4	20.6	1.7	3.5
17	60	16.6	1.4	3.5	16.7	1.4	3.6	16.8	1.3	3.7
	70	16.6	1.5	3.2	16.6	1.5	3.3	16.7	1.5	3.3
	80	16.5	1.7	2.9	16.6	1.6	3.0	16.6	1.6	3.0
10	60	14.8	1.3	3.2	14.8	1.3	3.3	14.8	1.3	3.4
	70	14.7	1.5	2.9	14.7	1.5	3.0	14.8	1.4	3.0
	80	14.6	1.6	2.7	14.7	1.6	2.7	14.8	1.6	2.8

NOTE: ALL CAPACITIES INCLUDE INDOOR FAN HEAT AT 1250 BTUH/1000 CFM.

Multipliers for determining the performance with other indoor section.

NOTE: KW RATING IS FOR OUTDOOR AND INDOOR UNITS.

HIGH CFM

Air Handler	Coil	MBH	COP	KW
AHX36	-	0.85	0.96	0.82
AV*36	-	1.00	0.99	1.01
MV12B	FC/MC43B	1.00	1.00	1.00
MV12D	FC/MC60D	1.00	1.00	1.00

Furnace	Coil	MBH	COP	KW
T*(8,L)X*A12	FC/MC/PC37A	0.84	1.00	0.77
T*(8,L)X*B12	FC/MC/PC43B	0.84	1.01	0.77
T*(8,L)X*C16	FC/MC/PC43C	0.84	1.00	0.77
T*9X*B12	FC/MC/PC43B	0.84	1.00	0.78
T*9X*C16	FC/MC/PC43C	0.84	0.99	0.78

Furnace	Coil	MBH	COP	KW
T*9X*C16	FC/MC/PC48C	0.84	1.00	0.77
T*(8,L)X*B12	HC42	1.00	0.96	1.04
T*(8,L)X*C16	HC42	1.00	0.98	1.02
T*9X*B12	HC42	1.00	0.98	1.02
T*9X*C16	HC42	1.00	0.98	1.02
T*9X*C16	UC48C	0.85	1.05	0.74
(Y*(8,L)C/T*8V)*A12	FC/MC/PC37A	1.01	0.96	0.97
(Y*(8,L)C/T*8V)*B12	FC/MC/PC43B	1.00	0.96	1.04
(Y*9C/T*9V)*B12	FC/MC/PC43B	1.00	0.97	0.97
(Y*(8,L)C/T*8V)*B12	HC42	1.00	0.96	1.04
(Y*9C/T*9V)*B12	HC42	1.00	0.98	1.02

HEATING PERFORMANCE DATA - LOW CFM 1-STAGE OPERATION										
OUTDOOR UNIT MODEL NO.		YZH03611(C)								
INDOOR COIL MODEL NO.		FC/MC62D + MV12D								
AIR TEMP. ENTERING OUTDOOR UNIT	AIR TEMP. ENTERING INDOOR COIL	ID CFM								
		759			809			859		
		MBTUH	KW	C.O.P.	MBTUH	KW	C.O.P.	MBTUH	KW	C.O.P.
60	60	31.2	1.8	4.9	31.5	1.8	5.1	31.8	1.8	5.3
	70	30.7	2.1	4.2	30.9	2.1	4.4	31.2	2.0	4.5
	80	30.2	2.4	3.7	30.4	2.3	3.8	30.5	2.3	3.9
47	60	23.5	1.7	4.1	23.6	1.6	4.2	23.7	1.6	4.4
	70	23.1	1.9	3.5	23.1	1.9	3.6	23.2	1.8	3.7
	80	22.7	2.2	3.1	22.7	2.1	3.2	22.7	2.0	3.2
40	60	19.4	1.6	3.6	19.5	1.5	3.7	19.6	1.5	3.8
	70	19.2	1.8	3.1	19.3	1.8	3.2	19.4	1.7	3.3
	80	19.0	2.0	2.7	19.1	2.0	2.8	19.1	2.0	2.9
30	60	14.0	1.5	2.8	14.0	1.4	2.9	14.1	1.4	2.9
	70	14.0	1.7	2.4	14.0	1.6	2.5	14.1	1.6	2.6
	80	13.9	1.9	2.2	14.0	1.8	2.2	14.0	1.8	2.3
17	60	7.6	1.3	1.7	7.6	1.3	1.7	7.7	1.3	1.8
	70	7.8	1.5	1.5	8.0	1.5	1.6	8.2	1.5	1.6
	80	8.1	1.7	1.4	8.4	1.7	1.4	8.7	1.7	1.5
10	60	5.3	1.3	1.2	6.0	1.3	1.4	6.7	1.3	1.5
	70	6.5	1.5	1.2	7.0	1.5	1.4	7.5	1.5	1.5
	80	7.6	1.7	1.3	8.0	1.7	1.4	8.3	1.7	1.5

NOTE: ALL CAPACITIES INCLUDE INDOOR FAN HEAT AT 1250 BTUH/1000 CFM.

Multipliers for determining the performance with other indoor sections.

NOTE: KW RATING IS FOR OUTDOOR AND INDOOR UNITS.

LOW CFM

Air Handler	Coil	MBH	COP	KW
AHX36	–	1.00	0.96	1.04
AHX48	–	1.02	1.03	1.00
AV*36	–	1.00	0.98	1.02
AV/SV*48	–	1.00	0.97	1.03
MV16C	FC/MC43C	1.00	0.97	1.03
MV16C	FC/MC48C	1.00	0.97	1.03
MV12D	FC/MC48D	1.00	1.00	1.00
MV12D	FC/MC60D	1.00	1.00	1.00
MV12D	FC64D	1.02	1.02	1.00
–	FC64	1.06	0.96	1.10

Continued on next page.

Furnace	Coil	MBH	COP	KW
T*(8,L)X*A12	FC/MC/PC37A	1.01	0.98	1.03
T*(8,L)X*B12	FC/MC/PC43B	1.01	0.98	1.03
T*(8,L)X*C16	FC/MC/PC43C	0.99	0.89	1.11
T*(8,L)X*C20	FC/MC/PC43C	1.01	0.97	1.04
T*9X*B12	FC/MC/PC43B	1.01	0.98	1.03
T*9X*C16	FC/MC/PC43C	1.00	0.93	1.07
T*9X*C20	FC/MC/PC43C	1.01	0.97	1.04
T*(8,L)X*C16	FC/MC/PC48C	1.00	0.90	1.11
T*(8,L)X*C20	FC/MC/PC48C	1.02	0.97	1.05
T*9X*C16	FC/MC/PC48C	1.01	0.95	1.06
T*9X*C20	FC/MC/PC48C	1.02	0.98	1.04
T*9X*D20	FC/MC/PC48D	1.02	1.00	1.02
T*(8,L)X*C16	FC/PC60C	1.00	0.92	1.10
T*(8,L)X*C20	FC/MC/PC60D	1.02	0.98	1.04
T*9X*C16	FC/PC60C	1.01	0.96	1.05
T*9X*C20	FC/PC60C	1.02	0.99	1.03
T*9X*D20	FC/MC/PC60D	1.03	1.03	0.99
T*9X*D20	FC/MC62D	1.00	0.99	1.01
T*9X*D20	FC64D	1.02	1.02	1.00
T*(8,L)X*C16	HC42	0.98	0.91	1.08
T*(8,L)X*C20	HC42	1.02	0.93	1.09
T*9X*C16	HC42	0.98	0.91	1.08
T*9X*C20	HC42	1.01	0.95	1.06
T*(8,L)X*C16	UC48C	1.02	0.96	1.06
T*(8,L)X*C20	UC48C	1.04	1.03	1.01
T*9X*C16	UC48C	1.03	1.00	1.03
T*9X*C20	UC48C	1.03	1.03	1.00
T*9X*D20	UC48D	1.04	1.05	0.99
T*(8,L)X*C16	UC60C	1.01	0.94	1.07
T*(8,L)X*C20	UC60D	1.02	1.01	1.02
T*9X*C16	UC60C	1.01	0.98	1.03
T*9X*C20	UC60C	1.02	1.01	1.01
T*9X*D20	UC60D	1.02	1.06	0.97
(Y*(8,L)C/T*8V)*B12	FC/MC/PC43B	0.99	0.92	1.07

Furnace	Coil	MBH	COP	KW
(Y*(8,L)C/T*8V)*C16	FC/MC/PC43C	1.00	0.95	1.05
(Y*(8,L)C/T*8V)*C20	FC/MC/PC43C	0.99	0.93	1.06
(Y*9C/T*9V)*B12	FC/MC/PC43B	1.00	0.94	1.06
(Y*9C/T*9V)*C16	FC/MC/PC43C	1.00	0.95	1.06
(Y*9C/T*9V)*C20	FC/MC/PC43C	0.99	0.93	1.07
(Y*(8,L)C/T*8V)*C16	FC/MC/PC48C	1.03	0.90	1.14
(Y*(8,L)C/T*8V)*C20	FC/MC/PC48C	1.01	0.88	1.15
(Y*9C/T*9V)*C16	FC/MC/PC48C	1.03	0.90	1.15
(Y*9C/T*9V)*C20	FC/MC/PC48C	1.03	0.88	1.16
(Y*(8,L)C/T*8V)*C16	FC/PC60C	1.02	0.91	1.12
(Y*(8,L)C/T*8V)*C20	FC/PC60C	1.02	0.91	1.12
(Y*9C/T*9V)*C16	FC/PC60C	1.03	0.91	1.13
(Y*9C/T*9V)*C20	FC/PC60C	1.01	0.91	1.12
(Y*9C/T*9V)*D20	FC/MC/PC60D	1.02	0.92	1.12
(Y*9C/T*9V)*D20	FC/MC62D	1.00	0.98	1.02
(Y*9C/T*9V)*D20	FC64D	1.02	1.02	1.00
(Y*(8,L)C/T*8V)*C16	HC42	1.00	0.95	1.05
(Y*(8,L)C/T*8V)*C20	HC42	0.99	0.93	1.06
(Y*9C/T*9V)*C16	HC42	1.00	0.94	1.06
(Y*9C/T*9V)*C20	HC42	1.00	0.95	1.05
(Y*(8,L)C/T*8V)*B12	HD48	0.95	0.80	1.19
(Y*(8,L)C/T*8V)*C16	HD48	0.95	0.84	1.14
(Y*(8,L)C/T*8V)*C20	HD48	0.95	0.79	1.20
(Y*9C/T*9V)*B12	HD48	0.95	0.78	1.22
(Y*9C/T*9V)*C16	HD48	0.96	0.84	1.14
(Y*9C/T*9V)*C20	HD48	0.96	0.79	1.22
(Y*(8,L)C/T*8V)*C16	UC48C	1.02	1.01	1.01
(Y*(8,L)C/T*8V)*C20	UC48C	1.01	0.98	1.03
(Y*9C/T*9V)*C16	UC48C	1.02	1.01	1.01
(Y*9C/T*9V)*C20	UC48C	1.03	0.98	1.04
(Y*(8,L)C/T*8V)*C16	UC60C	1.00	0.99	1.01
(Y*(8,L)C/T*8V)*C20	UC60C	1.00	0.99	1.01
(Y*9C/T*9V)*C16	UC60C	1.01	0.98	1.03
(Y*9C/T*9V)*C20	UC60C	1.00	0.97	1.03
(Y*9C/T*9V)*D20	UC60D	1.00	0.98	1.02

HEATING PERFORMANCE DATA - HIGH CFM 2-STAGE OPERATION										
OUTDOOR UNIT MODEL NO.		YZH03611(C)								
INDOOR COIL MODEL NO.		FC/MC62D + MV12D								
AIR TEMP. ENTERING OUTDOOR UNIT	AIR TEMP. ENTERING INDOOR COIL	ID CFM								
		1088			1188			1288		
		MBTUH	KW	C.O.P.	MBTUH	KW	C.O.P.	MBTUH	KW	C.O.P.
60	60	48.8	2.5	5.7	49.1	2.5	5.9	49.5	2.4	6.1
	70	47.7	2.8	5.0	48.0	2.7	5.1	48.3	2.6	5.3
	80	46.5	3.1	4.4	46.8	3.0	4.6	47.1	2.9	4.7
47	60	39.9	2.4	4.9	40.0	2.3	5.1	40.1	2.2	5.3
	70	39.3	2.6	4.3	39.4	2.6	4.5	39.5	2.5	4.6
	80	38.6	2.9	3.9	38.7	2.8	4.0	38.9	2.8	4.1
40	60	35.6	2.3	4.6	35.8	2.2	4.7	35.9	2.2	4.9
	70	35.0	2.5	4.0	35.1	2.5	4.1	35.3	2.4	4.3
	80	34.3	2.8	3.6	34.5	2.7	3.7	34.7	2.7	3.8
30	60	29.7	2.2	4.0	29.9	2.1	4.1	30.0	2.1	4.3
	70	29.2	2.4	3.5	29.4	2.4	3.6	29.6	2.3	3.7
	80	28.7	2.7	3.2	28.9	2.6	3.2	29.1	2.6	3.3
17	60	22.6	2.0	3.3	22.8	2.0	3.4	22.9	1.9	3.5
	70	22.4	2.2	2.9	22.5	2.2	3.0	22.7	2.2	3.1
	80	22.2	2.5	2.6	22.3	2.4	2.7	22.4	2.4	2.7
10	60	19.3	1.9	3.0	19.4	1.9	3.0	19.5	1.9	3.1
	70	19.3	2.1	2.6	19.3	2.1	2.7	19.3	2.1	2.7
	80	19.2	2.4	2.4	19.2	2.3	2.4	19.2	2.3	2.4

NOTE: ALL CAPACITIES INCLUDE INDOOR FAN HEAT AT 1250 BTUH/1000 CFM.

Multipliers for determining the performance with other indoor sections.

NOTE: KW RATING IS FOR OUTDOOR AND INDOOR UNITS.

HIGH CFM

Air Handler	Coil	MBH	COP	KW
AHX36	—	0.97	0.97	0.94
AHX48	—	0.97	1.00	0.92
AV*36	—	1.00	0.98	1.02
AV/SV*48	—	1.00	1.00	1.00
MV16C	FC/MC43C	1.00	1.00	1.00
MV16C	FC/MC48C	1.00	1.00	1.00
MV12D	FC/MC48D	1.00	1.00	1.00
MV12D	FC/MC60D	1.00	1.00	1.00
MV12D	FC64D	0.99	1.01	0.98
—	FC64	1.00	0.95	1.05

Continued on next page.

Furnace	Coil	MBH	COP	KW
T*(8,L)X*A12	FC/MC/PC37A	0.97	0.97	0.95
T*(8,L)X*B12	FC/MC/PC43B	0.97	0.97	0.94
T*(8,L)X*C16	FC/MC/PC43C	0.97	0.98	0.93
T*(8,L)X*C20	FC/MC/PC43C	0.97	0.99	0.92
T*9X*B12	FC/MC/PC43B	0.97	0.97	0.95
T*9X*C16	FC/MC/PC43C	0.97	0.97	0.94
T*9X*C20	FC/MC/PC43C	0.97	0.96	0.95
T*(8,L)X*C16	FC/MC/PC48C	0.97	0.98	0.92
T*(8,L)X*C20	FC/MC/PC48C	0.97	0.99	0.92
T*9X*C16	FC/MC/PC48C	0.97	0.97	0.94
T*9X*C20	FC/MC/PC48C	0.97	0.97	0.94
T*9X*D20	FC/MC/PC48D	0.97	0.98	0.93
T*(8,L)X*C16	FC/PC60C	0.97	0.98	0.92
T*(8,L)X*C20	FC/MC/PC60D	0.97	0.99	0.92
T*9X*C16	FC/PC60C	0.97	0.98	0.93
T*9X*C20	FC/PC60C	0.97	0.98	0.93
T*9X*D20	FC/MC/PC60D	0.97	1.00	0.92
T*9X*D20	FC/MC62D	0.97	0.99	0.92
T*9X*D20	FC64D	1.00	1.00	1.00
T*(8,L)X*C16	HC42	0.98	0.95	1.03
T*(8,L)X*C20	HC42	0.99	0.96	1.04
T*9X*C16	HC42	0.98	0.94	1.05
T*9X*C20	HC42	0.99	0.95	1.05
T*(8,L)X*C16	UC48C	0.97	1.02	0.90
T*(8,L)X*C20	UC48C	0.97	1.02	0.90
T*9X*C16	UC48C	0.97	1.00	0.91
T*9X*C20	UC48C	0.97	1.00	0.91
T*9X*D20	UC48D	0.97	1.01	0.90
T*(8,L)X*C16	UC60C	0.97	1.01	0.90
T*(8,L)X*C20	UC60D	0.97	1.01	0.90
T*9X*C16	UC60C	0.97	1.01	0.91
T*9X*C20	UC60C	0.97	1.00	0.91
T*9X*D20	UC60D	0.97	1.02	0.89
(Y*(8,L)C/T*8V)*B12	FC/MC/PC43B	1.01	0.93	1.09

Furnace	Coil	MBH	COP	KW
(Y*(8,L)C/T*8V)*C16	FC/MC/PC43C	1.00	0.95	0.97
(Y*(8,L)C/T*8V)*C20	FC/MC/PC43C	1.00	0.96	1.04
(Y*9C/T*9V)*B12	FC/MC/PC43B	1.01	0.93	1.01
(Y*9C/T*9V)*C16	FC/MC/PC43C	1.01	0.94	0.99
(Y*9C/T*9V)*C20	FC/MC/PC43C	1.00	0.95	0.97
(Y*(8,L)C/T*8V)*C16	FC/MC/PC48C	1.00	0.96	1.04
(Y*(8,L)C/T*8V)*C20	FC/MC/PC48C	0.99	0.95	1.05
(Y*9C/T*9V)*C16	FC/MC/PC48C	1.01	0.95	0.99
(Y*9C/T*9V)*C20	FC/MC/PC48C	1.02	0.95	0.99
(Y*(8,L)C/T*8V)*C16	FC/PC60C	0.99	0.96	1.03
(Y*(8,L)C/T*8V)*C20	FC/PC60C	1.00	0.96	1.04
(Y*9C/T*9V)*C16	FC/PC60C	1.01	0.95	0.99
(Y*9C/T*9V)*C20	FC/PC60C	1.02	0.96	0.98
(Y*9C/T*9V)*D20	FC/MC/PC60D	1.01	0.96	0.97
(Y*9C/T*9V)*D20	FC/MC62D	1.00	0.98	0.95
(Y*9C/T*9V)*D20	FC64D	1.00	1.00	1.00
(Y*(8,L)C/T*8V)*C16	HC42	1.00	0.96	0.97
(Y*(8,L)C/T*8V)*C20	HC42	1.00	0.96	0.96
(Y*9C/T*9V)*C16	HC42	1.01	0.94	0.99
(Y*9C/T*9V)*C20	HC42	1.00	0.95	0.97
(Y*(8,L)C/T*8V)*B12	HD48	0.99	0.85	1.07
(Y*(8,L)C/T*8V)*C16	HD48	0.98	0.87	1.04
(Y*(8,L)C/T*8V)*C20	HD48	0.98	0.86	1.05
(Y*9C/T*9V)*B12	HD48	0.99	0.83	1.10
(Y*9C/T*9V)*C16	HD48	0.99	0.86	1.06
(Y*9C/T*9V)*C20	HD48	1.00	0.88	1.05
(Y*(8,L)C/T*8V)*C16	UC48C	1.00	1.00	0.93
(Y*(8,L)C/T*8V)*C20	UC48C	1.00	0.99	0.93
(Y*9C/T*9V)*C16	UC48C	1.01	0.99	0.95
(Y*9C/T*9V)*C20	UC48C	1.02	0.99	0.96
(Y*(8,L)C/T*8V)*C16	UC60C	1.00	0.99	0.93
(Y*(8,L)C/T*8V)*C20	UC60C	1.00	0.99	0.94
(Y*9C/T*9V)*C16	UC60C	1.01	0.97	0.97
(Y*9C/T*9V)*C20	UC60C	1.02	0.99	0.95
(Y*9C/T*9V)*D20	UC60D	1.00	0.98	0.95

HEATING PERFORMANCE DATA - LOW CFM 1-STAGE OPERATION										
OUTDOOR UNIT MODEL NO.		YZH04811(C)								
INDOOR COIL MODEL NO.		FC/MC62D + MV20D								
AIR TEMP. ENTERING OUTDOOR UNIT	AIR TEMP. ENTERING INDOOR COIL	ID CFM								
		973			1023			1073		
		MBTUH	KW	C.O.P.	MBTUH	KW	C.O.P.	MBTUH	KW	C.O.P.
60	60	41.4	2.5	4.9	41.6	2.5	5.0	41.8	2.4	5.1
	70	40.7	2.8	4.3	40.8	2.7	4.3	40.9	2.7	4.4
	80	40.0	3.1	3.8	40.0	3.0	3.8	40.0	3.0	3.9
47	60	33.7	2.4	4.0	33.8	2.4	4.1	34.0	2.4	4.2
	70	33.2	2.7	3.6	33.3	2.7	3.7	33.4	2.6	3.7
	80	32.8	3.0	3.2	32.8	2.9	3.3	32.8	2.9	3.3
40	60	29.7	2.4	3.7	29.8	2.3	3.7	29.9	2.3	3.8
	70	29.4	2.6	3.3	29.4	2.6	3.3	29.4	2.6	3.4
	80	29.1	2.9	2.9	29.0	2.9	3.0	28.9	2.8	3.0
30	60	24.4	2.3	3.1	24.4	2.3	3.2	24.5	2.2	3.2
	70	24.2	2.6	2.8	24.1	2.5	2.8	24.1	2.5	2.8
	80	23.9	2.8	2.5	23.8	2.8	2.5	23.7	2.7	2.5
17	60	18.1	2.2	2.4	18.2	2.2	2.5	18.2	2.1	2.5
	70	18.0	2.5	2.1	18.0	2.4	2.2	18.1	2.4	2.2
	80	17.8	2.7	1.9	17.9	2.7	2.0	18.0	2.6	2.0
10	60	15.0	2.2	2.0	15.0	2.1	2.1	15.0	2.1	2.1
	70	14.8	2.4	1.8	14.9	2.4	1.8	14.9	2.4	1.9
	80	14.6	2.7	1.6	14.7	2.6	1.6	14.9	2.6	1.7

NOTE: ALL CAPACITIES INCLUDE INDOOR FAN HEAT AT 1250 BTUH/1000 CFM.

Multipliers for determining the performance with other indoor sections.

NOTE: KW RATING IS FOR OUTDOOR AND INDOOR UNITS.

LOW CFM

Air Handler	Coil	MBH	COP	KW
AHX48	–	1.01	0.99	1.03
AHX60	–	1.01	0.99	1.02
AV/SV*48	–	1.00	0.98	1.02
AV/SV*60	–	1.00	0.98	1.02
MV16C	FC/MC48C	1.00	0.98	1.02
MV20D	FC/MC48D	1.00	0.98	1.02
MV20D	FC/MC60D	1.00	0.98	1.02
MV20D	FC64D	0.99	1.05	0.94
–	FC64	1.04	0.98	1.06

Continued on next page.

Furnace	Coil	MBH	COP	KW
T*(8,L)X*C16	FC/MC/PC48C	1.02	0.98	1.04
T*(8,L)X*C20	FC/MC/PC48C	1.01	0.90	1.13
T*9X*C16	FC/MC/PC48C	1.02	0.98	1.04
T*9X*C20	FC/MC/PC48C	1.03	0.99	1.03
T*9X*D20	FC/MC/PC48D	1.02	1.01	1.01
T*(8,L)X*C16	FC/PC60C	1.01	0.98	1.03
T*(8,L)X*C20	FC/MC/PC60D	1.00	0.90	1.11
T*9X*C16	FC/PC60C	1.01	0.98	1.03
T*9X*C20	FC/PC60C	1.02	0.99	1.03
T*9X*D20	FC/MC/PC60D	1.02	1.03	0.99
T*(8,L)X*C16	FC/MC62D	1.01	1.00	1.01
T*(8,L)X*C20	FC/MC62D	0.99	0.91	1.08
T*9X*C16	FC/MC62D	1.01	1.00	1.01
T*9X*C20	FC/MC62D	1.01	1.02	1.00
T*9X*D20	FC/MC62D	1.02	1.02	0.99
T*(8,L)X*C16	FC64D	1.02	1.02	1.00
T*(8,L)X*C20	FC64D	0.99	1.02	0.97
T*9X*C16	FC64D	1.01	1.02	1.00
T*9X*C20	FC64D	1.02	1.02	1.01
T*(8,L)X*C20	HC60	1.01	0.97	1.04
T*9X*D20	HC60	1.01	1.02	0.99
T*(8,L)X*C16	UC48C	1.03	1.02	1.01
T*(8,L)X*C20	UC48C	1.02	0.96	1.06
T*9X*C16	UC48C	1.03	1.02	1.01
T*9X*C20	UC48C	1.03	1.04	1.00
T*9X*D20	UC48D	1.02	1.05	0.97
T*(8,L)X*C16	UC60C	1.03	1.02	1.01
T*(8,L)X*C20	UC60D	1.02	0.95	1.08
T*9X*C16	UC60C	1.03	1.02	1.01
T*9X*C20	UC60C	1.03	1.03	1.00
T*9X*D20	UC60D	1.03	1.06	0.97
(Y*(8,L)C/T*8V)*C16	FC/MC/PC48C	0.99	0.95	1.04
(Y*(8,L)C/T*8V)*C20	FC/MC/PC48C	0.99	0.95	1.04
(Y*9C/T*9V)*C16	FC/MC/PC48C	1.03	0.96	1.07
(Y*9C/T*9V)*C20	FC/MC/PC48C	1.03	0.97	1.07

Furnace	Coil	MBH	COP	KW
(Y*9C/T*9V)*D20	FC/MC/PC48D	0.99	0.95	1.05
(Y*(8,L)C/T*8V)*C16	FC/PC60C	0.99	0.95	1.04
(Y*(8,L)C/T*8V)*C20	FC/PC60C	0.98	0.96	1.02
(Y*9C/T*9V)*C16	FC/PC60C	0.99	0.95	1.04
(Y*9C/T*9V)*C20	FC/PC60C	0.99	0.96	1.03
(Y*9C/T*9V)*D20	FC/MC/PC60D	1.00	0.97	1.03
(Y*(8,L)C/T*8V)*C20	FC/MC62D	0.99	0.97	1.02
(Y*9C/T*9V)*D20	FC/MC62D	0.99	0.98	1.01
(Y*(8,L)C/T*8V)*C16	FC64D	1.00	1.01	0.99
(Y*(8,L)C/T*8V)*C20	FC64D	1.00	1.02	0.98
(Y*9C/T*9V)*C16	FC64D	1.02	1.02	1.01
(Y*9C/T*9V)*C20	FC64D	1.01	1.02	0.99
(Y*9C/T*9V)*D20	FC64D	0.99	1.03	0.96
(Y*(8,L)C/T*8V)*C20	HC60	1.01	0.97	1.04
(Y*9C/T*9V)*D20	HC60	1.06	1.02	1.04
(Y*(8,L)C/T*8V)*C16	HD48	1.01	0.86	1.17
(Y*(8,L)C/T*8V)*C20	HD48	1.01	0.86	1.18
(Y*9C/T*9V)*C16	HD48	1.01	0.86	1.17
(Y*9C/T*9V)*C20	HD48	1.01	0.86	1.17
(Y*9C/T*9V)*D20	HD48	1.01	0.86	1.18
(Y*(8,L)C/T*8V)*C16	HD60	1.02	0.89	1.14
(Y*(8,L)C/T*8V)*C20	HD60	1.02	0.90	1.13
(Y*9C/T*9V)*C16	HD60	1.02	0.89	1.15
(Y*9C/T*9V)*C20	HD60	1.02	0.89	1.14
(Y*9C/T*9V)*D20	HD60	1.02	0.89	1.15
(Y*(8,L)C/T*8V)*C16	UC48C	1.06	1.00	1.05
(Y*(8,L)C/T*8V)*C20	UC48C	1.06	1.00	1.06
(Y*9C/T*9V)*C16	UC48C	1.06	1.00	1.06
(Y*9C/T*9V)*C20	UC48C	1.06	1.00	1.06
(Y*9C/T*9V)*D20	UC48D	1.06	1.00	1.06
(Y*(8,L)C/T*8V)*C16	UC60C	1.04	0.99	1.05
(Y*(8,L)C/T*8V)*C20	UC60C	1.04	1.00	1.04
(Y*9C/T*9V)*C16	UC60C	1.05	0.99	1.06
(Y*9C/T*9V)*C20	UC60C	1.05	0.99	1.06
(Y*9C/T*9V)*D20	UC60D	1.05	0.99	1.06

HEATING PERFORMANCE DATA - HIGH CFM 2-STAGE OPERATION										
OUTDOOR UNIT MODEL NO.		YZH04811(C)								
INDOOR COIL MODEL NO.		FC/MC62D + MV20D								
AIR TEMP. ENTERING OUTDOOR UNIT	AIR TEMP. ENTERING INDOOR COIL	ID CFM								
		1423			1523			1623		
		MBTUH	KW	C.O.P.	MBTUH	KW	C.O.P.	MBTUH	KW	C.O.P.
60	60	59.6	3.3	5.3	60.0	3.2	5.4	60.4	3.2	5.6
	70	58.2	3.6	4.7	58.6	3.5	4.9	59.0	3.5	5.0
	80	56.8	3.9	4.3	57.2	3.8	4.4	57.6	3.8	4.5
47	60	49.4	3.1	4.7	49.6	3.0	4.8	49.9	3.0	4.9
	70	48.4	3.4	4.2	48.6	3.3	4.3	48.9	3.3	4.4
	80	47.4	3.6	3.8	47.6	3.6	3.9	47.8	3.5	4.0
40	60	44.4	3.0	4.4	44.5	2.9	4.4	44.5	2.9	4.5
	70	43.7	3.3	3.9	43.8	3.2	4.0	43.8	3.2	4.1
	80	43.0	3.6	3.5	43.1	3.5	3.6	43.1	3.4	3.7
30	60	38.0	2.8	3.9	38.1	2.8	4.0	38.2	2.8	4.1
	70	37.5	3.1	3.5	37.6	3.1	3.6	37.7	3.0	3.6
	80	37.0	3.4	3.2	37.1	3.3	3.3	37.2	3.3	3.3
17	60	30.4	2.7	3.3	30.5	2.6	3.4	30.6	2.6	3.5
	70	30.1	2.9	3.0	30.2	2.9	3.1	30.3	2.9	3.1
	80	29.8	3.2	2.8	29.9	3.1	2.8	30.0	3.1	2.8
10	60	26.7	2.6	3.1	26.8	2.5	3.1	26.9	2.5	3.2
	70	26.4	2.8	2.8	26.5	2.8	2.8	26.6	2.7	2.8
	80	26.1	3.0	2.5	26.3	3.0	2.6	26.4	3.0	2.6

NOTE: ALL CAPACITIES INCLUDE INDOOR FAN HEAT AT 1250 BTUH/1000 CFM.

Multipliers for determining the performance with other indoor sections.

NOTE: KW RATING IS FOR OUTDOOR AND INDOOR UNITS.

HIGH CFM

Air Handler	Coil	MBH	COP	KW
AHX48	–	0.98	0.98	0.95
AHX60	–	0.98	0.99	0.94
AV/SV*48	–	1.00	0.98	1.02
AV/SV*60	–	1.00	0.97	1.03
MV16C	FC/MC48C	1.00	0.98	1.02
MV20D	FC/MC48D	1.00	1.00	1.00
MV20D	FC/MC60D	1.00	1.00	1.00
MV20D	FC64D	1.00	0.97	1.03
–	FC64	1.00	1.02	0.99

Continued on next page.

Furnace	Coil	MBH	COP	KW
T*(8,L)X*C16	FC/MC/PC48C	0.98	0.96	0.97
T*(8,L)X*C20	FC/MC/PC48C	0.98	0.98	0.95
T*9X*C16	FC/MC/PC48C	0.98	0.96	0.97
T*9X*C20	FC/MC/PC48C	0.98	0.97	0.96
T*9X*D20	FC/MC/PC48D	0.98	0.96	0.96
T*(8,L)X*C16	FC/PC60C	0.98	0.96	0.97
T*(8,L)X*C20	FC/MC/PC60D	0.98	0.96	0.97
T*9X*C16	FC/PC60C	0.98	0.95	0.97
T*9X*C20	FC/PC60C	0.98	0.96	0.96
T*9X*D20	FC/MC/PC60D	0.97	0.97	0.94
T*(8,L)X*C16	FC/MC62D	0.98	0.98	0.94
T*(8,L)X*C20	FC/MC62D	0.98	1.00	0.93
T*9X*C16	FC/MC62D	0.98	0.98	0.95
T*9X*C20	FC/MC62D	0.98	0.98	0.94
T*9X*D20	FC/MC62D	0.98	0.98	0.95
T*(8,L)X*C16	FC64D	1.00	1.00	1.01
T*(8,L)X*C20	FC64D	1.00	1.00	1.01
T*9X*C16	FC64D	1.00	0.99	1.01
T*9X*C20	FC64D	1.00	0.98	1.02
T*(8,L)X*C20	HC60	1.00	0.97	1.03
T*9X*D20	HC60	1.00	0.98	1.02
T*(8,L)X*C16	UC48C	0.98	0.99	0.94
T*(8,L)X*C20	UC48C	0.97	1.01	0.91
T*9X*C16	UC48C	0.98	0.98	0.94
T*9X*C20	UC48C	0.98	0.99	0.93
T*9X*D20	UC48D	0.98	0.98	0.94
T*(8,L)X*C16	UC60C	0.98	0.98	0.94
T*(8,L)X*C20	UC60D	0.98	1.01	0.91
T*9X*C16	UC60C	0.98	0.98	0.94
T*9X*C20	UC60C	0.98	0.99	0.93
T*9X*D20	UC60D	0.97	1.00	0.92
(Y*(8,L)C/T*8V)*C16	FC/MC/PC48C	1.01	0.93	1.09
(Y*(8,L)C/T*8V)*C20	FC/MC/PC48C	1.00	0.95	1.05
(Y*9C/T*9V)*C16	FC/MC/PC48C	1.01	0.94	1.03
(Y*9C/T*9V)*C20	FC/MC/PC48C	1.01	0.94	1.03

Furnace	Coil	MBH	COP	KW
(Y*9C/T*9V)*D20	FC/MC/PC48D	1.01	0.95	1.03
(Y*(8,L)C/T*8V)*C16	FC/PC60C	1.00	0.94	1.06
(Y*(8,L)C/T*8V)*C20	FC/PC60C	1.00	0.95	1.05
(Y*9C/T*9V)*C16	FC/PC60C	1.01	0.95	1.02
(Y*9C/T*9V)*C20	FC/PC60C	1.01	0.95	1.02
(Y*9C/T*9V)*D20	FC/MC/PC60D	1.01	0.95	1.02
(Y*(8,L)C/T*8V)*C20	FC/MC62D	1.00	0.97	1.04
(Y*9C/T*9V)*D20	FC/MC62D	1.01	0.97	1.00
(Y*(8,L)C/T*8V)*C16	FC64D	1.00	1.00	1.01
(Y*(8,L)C/T*8V)*C20	FC64D	1.00	1.00	1.01
(Y*9C/T*9V)*C16	FC64D	1.00	0.99	1.01
(Y*9C/T*9V)*C20	FC64D	1.00	0.98	1.02
(Y*9C/T*9V)*D20	FC64D	1.00	0.98	1.02
(Y*(8,L)C/T*8V)*C20	HC60	1.00	0.97	1.03
(Y*9C/T*9V)*D20	HC60	1.01	0.98	0.99
(Y*(8,L)C/T*8V)*C16	HD48	1.00	0.88	1.08
(Y*(8,L)C/T*8V)*C20	HD48	1.00	0.88	1.08
(Y*9C/T*9V)*C16	HD48	1.00	0.87	1.09
(Y*9C/T*9V)*C20	HD48	1.00	0.88	1.09
(Y*9C/T*9V)*D20	HD48	1.00	0.88	1.09
(Y*(8,L)C/T*8V)*C16	HD60	1.00	0.90	1.06
(Y*(8,L)C/T*8V)*C20	HD60	0.99	0.92	1.04
(Y*9C/T*9V)*C16	HD60	1.00	0.90	1.07
(Y*9C/T*9V)*C20	HD60	1.00	0.90	1.07
(Y*9C/T*9V)*D20	HD60	1.00	0.90	1.06
(Y*(8,L)C/T*8V)*C16	UC48C	1.01	0.97	1.00
(Y*(8,L)C/T*8V)*C20	UC48C	1.01	0.97	1.00
(Y*9C/T*9V)*C16	UC48C	1.01	0.97	1.01
(Y*9C/T*9V)*C20	UC48C	1.01	0.97	1.01
(Y*9C/T*9V)*D20	UC48D	1.01	0.97	1.01
(Y*(8,L)C/T*8V)*C16	UC60C	1.01	0.97	1.00
(Y*(8,L)C/T*8V)*C20	UC60C	1.01	0.99	0.98
(Y*9C/T*9V)*C16	UC60C	1.01	0.97	1.01
(Y*9C/T*9V)*C20	UC60C	1.01	0.97	1.01
(Y*9C/T*9V)*D20	UC60D	1.01	0.97	1.00

HEATING PERFORMANCE DATA - LOW CFM 1-STAGE OPERATION										
OUTDOOR UNIT MODEL NO.		YZH06011(C)								
INDOOR COIL MODEL NO.		FC/MC62D + MV20D								
AIR TEMP. ENTERING OUTDOOR UNIT	AIR TEMP. ENTERING INDOOR COIL	ID CFM								
		1066			1116			1166		
		MBTUH	KW	C.O.P.	MBTUH	KW	C.O.P.	MBTUH	KW	C.O.P.
60	60	50.9	3.5	4.3	51.1	3.4	4.4	51.2	3.4	4.5
	70	50.1	3.9	3.8	50.2	3.8	3.9	50.4	3.7	4.0
	80	49.3	4.2	3.4	49.4	4.1	3.5	49.6	4.1	3.6
47	60	41.8	3.3	3.7	41.9	3.3	3.7	41.9	3.2	3.8
	70	41.3	3.7	3.3	41.3	3.6	3.3	41.3	3.6	3.4
	80	40.7	4.1	2.9	40.8	4.0	3.0	40.8	3.9	3.0
40	60	37.0	3.3	3.3	36.9	3.2	3.4	36.8	3.2	3.4
	70	36.9	3.6	3.0	36.9	3.6	3.0	36.9	3.5	3.1
	80	36.9	4.0	2.7	36.9	4.0	2.7	36.9	3.9	2.8
30	60	31.3	3.2	2.9	31.3	3.1	2.9	31.3	3.1	3.0
	70	31.3	3.5	2.6	31.4	3.5	2.6	31.4	3.5	2.7
	80	31.4	3.9	2.4	31.5	3.9	2.4	31.5	3.8	2.4
17	60	24.2	3.0	2.3	24.3	3.0	2.4	24.3	3.0	2.4
	70	24.8	3.5	2.1	25.0	3.5	2.1	25.2	3.5	2.1
	80	25.4	4.0	1.9	25.7	3.9	1.9	26.0	3.9	1.9
10	60	21.0	3.0	2.1	21.0	2.9	2.1	21.1	2.9	2.1
	70	21.6	3.5	1.8	21.8	3.5	1.8	22.0	3.5	1.9
	80	22.2	4.0	1.6	22.6	4.0	1.7	23.0	4.0	1.7

NOTE: ALL CAPACITIES INCLUDE INDOOR FAN HEAT AT 1250 BTUH/1000 CFM.

Multipliers for determining the performance with other indoor sections.

NOTE: KW RATING IS FOR OUTDOOR AND INDOOR UNITS.

LOW CFM

Air Handler	Coil	MBH	COP	KW
AHX60	-	0.99	0.97	1.03
AV/SV*60	-	1.00	1.00	1.00
MV20D	FC/MC60D	1.00	1.00	1.00
MV20D	FC64D	1.01	1.03	0.98
-	FC64	1.03	1.00	1.03

Furnace	Coil	MBH	COP	KW
T*(8,L)X*C20	FC/PC60C	0.93	0.88	1.06
T*9X*C20	FC/PC60C	1.00	0.99	1.00
T*9X*D20	FC/MC/PC60D	1.00	1.03	0.98
T*(8,L)X*C20	FC/MC/PC60D	0.93	0.90	1.03
T*9X*C20	FC/MC/PC60D	1.00	1.02	0.98
T*(8,L)X*C20	FC/MC62D	0.98	0.88	1.11
T*9X*C20	FC/MC62D	1.01	1.00	1.00
T*9X*D20	FC/MC62D	1.01	1.01	1.00
T*(8,L)X*C20	FC64D	0.99	0.98	1.01
T*9X*C20	FC64D	1.01	0.98	1.03
T*9X*D20	FC64D	1.01	0.99	1.02
T*(8,L)X*C20	HC60	1.02	0.93	1.10
T*9X*D20	HC60	1.02	0.99	1.04
T*(8,L)X*C20	UC60C	0.94	0.92	1.02
T*9X*C20	UC60C	1.00	1.02	0.98

Furnace	Coil	MBH	COP	KW
T*9X*D20	UC60D	1.01	1.05	0.96
T*(8,L)X*C20	UC60D	0.95	0.94	1.01
T*9X*C20	UC60D	1.01	1.05	0.96
(Y*(8,L)C/T*8V)*C20	FC/PC60C	0.99	0.93	1.06
(Y*9C/T*9V)*C20	FC/PC60C	0.99	0.93	1.07
(Y*(8,L)C/T*8V)*C20	FC/MC/PC60D	0.99	0.93	1.07
(Y*9C/T*9V)*C20	FC/MC/PC60D	1.00	0.93	1.08
(Y*9C/T*9V)*D20	FC/MC/PC60D	1.00	0.94	1.06
(Y*(8,L)C/T*8V)*C20	FC/MC62D	0.99	0.95	1.04
(Y*9C/T*9V)*C20	FC/MC62D	0.99	0.94	1.06
(Y*9C/T*9V)*D20	FC/MC62D	1.00	0.96	1.04
(Y*(8,L)C/T*8V)*C20	FC64D	1.00	0.98	1.02
(Y*9C/T*9V)*C20	FC64D	1.00	0.98	1.02
(Y*9C/T*9V)*D20	FC64D	1.01	0.99	1.02
(Y*(8,L)C/T*8V)*C20	HC60	1.01	0.93	1.09
(Y*9C/T*9V)*D20	HC60	1.01	0.99	1.02
(Y*(8,L)C/T*8V)*C20	HD60	0.97	0.84	1.16
(Y*9C/T*9V)*C20	HD60	0.98	0.85	1.14
(Y*9C/T*9V)*D20	HD60	0.98	0.86	1.14
(Y*(8,L)C/T*8V)*C20	UC60C	1.00	0.96	1.04
(Y*9C/T*9V)*C20	UC60C	1.00	0.95	1.06
(Y*9C/T*9V)*D20	UC60D	1.01	0.97	1.04

HEATING PERFORMANCE DATA - HIGH CFM 2-STAGE OPERATION

OUTDOOR UNIT MODEL NO.		YZH06011(C)								
INDOOR COIL MODEL NO.		FC/MC62D + MV20D								
AIR TEMP. ENTERING OUTDOOR UNIT	AIR TEMP. ENTERING INDOOR COIL	ID CFM								
		1621			1721			1821		
		MBTUH	KW	C.O.P.	MBTUH	KW	C.O.P.	MBTUH	KW	C.O.P.
60	60	72.8	4.3	5.0	73.2	4.2	5.1	73.7	4.1	5.2
	70	71.5	4.7	4.5	71.9	4.6	4.6	72.3	4.5	4.7
	80	70.2	5.1	4.1	70.6	5.0	4.1	70.9	4.9	4.2
47	60	60.3	4.0	4.4	60.5	3.9	4.5	60.8	3.9	4.6
	70	59.4	4.4	4.0	59.7	4.3	4.1	59.9	4.2	4.2
	80	58.6	4.7	3.6	58.8	4.7	3.7	59.0	4.6	3.8
40	60	53.7	3.8	4.1	53.8	3.8	4.2	53.9	3.7	4.3
	70	53.1	4.2	3.7	53.2	4.1	3.8	53.3	4.1	3.8
	80	52.4	4.6	3.4	52.6	4.5	3.4	52.8	4.4	3.5
30	60	45.9	3.6	3.7	46.1	3.6	3.8	46.3	3.5	3.8
	70	45.4	4.0	3.3	45.6	3.9	3.4	45.7	3.9	3.5
	80	45.0	4.3	3.0	45.1	4.3	3.1	45.1	4.2	3.1
17	60	36.6	3.4	3.2	36.7	3.3	3.2	36.8	3.3	3.3
	70	36.6	3.7	2.9	36.6	3.7	2.9	36.7	3.6	3.0
	80	36.5	4.1	2.6	36.6	4.0	2.7	36.6	4.0	2.7
10	60	32.5	3.2	2.9	32.6	3.2	3.0	32.6	3.2	3.0
	70	32.5	3.6	2.7	32.5	3.5	2.7	32.6	3.5	2.7
	80	32.5	3.9	2.4	32.5	3.9	2.5	32.6	3.8	2.5

NOTE: ALL CAPACITIES INCLUDE INDOOR FAN HEAT AT 1250 BTUH/1000 CFM.

Multipliers for determining the performance with other indoor sections.

NOTE: KW RATING IS FOR OUTDOOR AND INDOOR UNITS.

HIGH CFM

Air Handler	Coil	MBH	COP	KW
AHX60	-	1.00	0.98	0.95
AV/SV*60	-	1.00	0.98	1.02
MV20D	FC/MC60D	1.00	1.00	1.00
MV20D	FC64D	1.00	1.01	0.99
-	FC64	1.00	1.01	0.99

Furnace	Coil	MBH	COP	KW
T*(8,L)X*C20	FC/PC60C	1.00	0.93	0.99
T*9X*C20	FC/PC60C	1.00	0.94	0.98
T*9X*D20	FC/MC/PC60D	1.00	0.96	0.96
T*(8,L)X*C20	FC/MC/PC60D	1.00	0.96	0.97
T*9X*C20	FC/MC/PC60D	1.00	0.95	0.98
T*(8,L)X*C20	FC/MC62D	1.00	0.98	0.95
T*9X*C20	FC/MC62D	1.00	0.96	0.96
T*9X*D20	FC/MC62D	1.00	0.97	0.96
T*(8,L)X*C20	FC64D	1.00	0.99	1.01
T*9X*C20	FC64D	1.00	0.97	1.03
T*9X*D20	FC64D	1.00	0.97	1.03
T*(8,L)X*C20	HC60	1.00	0.94	1.06
T*9X*D20	HC60	1.00	0.97	1.03
T*(8,L)X*C20	UC60C	1.00	0.97	0.96
T*9X*C20	UC60C	1.00	0.97	0.95

Furnace	Coil	MBH	COP	KW
T*9X*D20	UC60D	1.00	0.99	0.93
T*(8,L)X*C20	UC60D	1.00	0.99	0.94
T*9X*C20	UC60D	1.00	0.98	0.95
(Y*(8,L)C/T*8V)*C20	FC/PC60C	0.99	0.94	1.06
(Y*9C/T*9V)*C20	FC/PC60C	1.00	0.93	0.99
(Y*(8,L)C/T*8V)*C20	FC/MC/PC60D	0.99	0.94	0.96
(Y*9C/T*9V)*C20	FC/MC/PC60D	1.00	0.93	0.99
(Y*9C/T*9V)*D20	FC/MC/PC60D	1.00	0.93	0.98
(Y*(8,L)C/T*8V)*C20	FC/MC62D	0.99	0.97	1.02
(Y*9C/T*9V)*C20	FC/MC62D	1.00	0.95	0.97
(Y*9C/T*9V)*D20	FC/MC62D	1.00	0.95	0.96
(Y*(8,L)C/T*8V)*C20	FC64D	0.98	0.99	0.99
(Y*9C/T*9V)*C20	FC64D	1.00	0.97	1.03
(Y*9C/T*9V)*D20	FC64D	1.00	0.97	1.03
(Y*(8,L)C/T*8V)*C20	HC60	1.00	0.94	1.06
(Y*9C/T*9V)*D20	HC60	1.00	0.97	0.95
(Y*(8,L)C/T*8V)*C20	HD60	0.98	0.88	1.03
(Y*9C/T*9V)*C20	HD60	0.99	0.87	1.04
(Y*9C/T*9V)*D20	HD60	0.99	0.87	1.04
(Y*(8,L)C/T*8V)*C20	UC60C	0.99	0.96	0.95
(Y*9C/T*9V)*C20	UC60C	1.00	0.95	0.97
(Y*9C/T*9V)*D20	UC60D	1.00	0.95	0.96

Subject to change without notice. Published in U.S.A. Copyright © 2010 by Johnson Controls, Inc. All rights reserved.

561927-YTG-A-0410 Supersedes: 505591-YTG-A-0909