



# YORK®

## Heating and Air Conditioning

### TECHNICAL GUIDE

#### SINGLE PIECE STANDARD ECM AIR HANDLERS

FOR USE WITH SPLIT-SYSTEM  
COOLING & HEAT PUMPS

MODELS: AHE18 THRU 60\*



Due to continuous product improvement, specifications are subject to change without notice.

Visit us on the web at:

[www.york.com](http://www.york.com)

Additional rating information can be found at:

[www.ahridirectory.org](http://www.ahridirectory.org)

#### WARRANTY

Standard 5-year limited parts warranty.

**Extended 10-year limited parts warranty when product is registered online within 90 days of purchase for replacement or closing for new home construction.**

#### DESCRIPTION

The Air Handler line offers the ultimate in comfort, sound and application flexibility. The air handler is shipped ready to be installed in upflow, horizontal left or right position, with minor adjustments. No special kits are required to install this deluxe product.

All JCI Unitary Products air handlers and coils use a TXV to provide our customers with the optimum performance and refrigerant control. Air handlers are shipped with "Flex-coils" without a factory installed metering device. For added flexibility, an R-22 or R-410A TXV or orifice can be field installed to meet your refrigerant choice.

#### FEATURE

**Thermal Expansion Valve** - Provides the ultimate refrigerant control required for today's high efficient product. The UPG bolt-on TXV provides easy installation to convert the air handler to the required refrigerant, which is a true bolt-on design that does not require brazing to replace or install.

**Insulated Cabinet** - All air handler cabinets are thermally insulated with 3/4" foil faced insulation to prevent sweating.

**Factory Sealed** - Achieves 2% or less total airflow leakage rate at duct blaster field test conditions for system airflow verification.

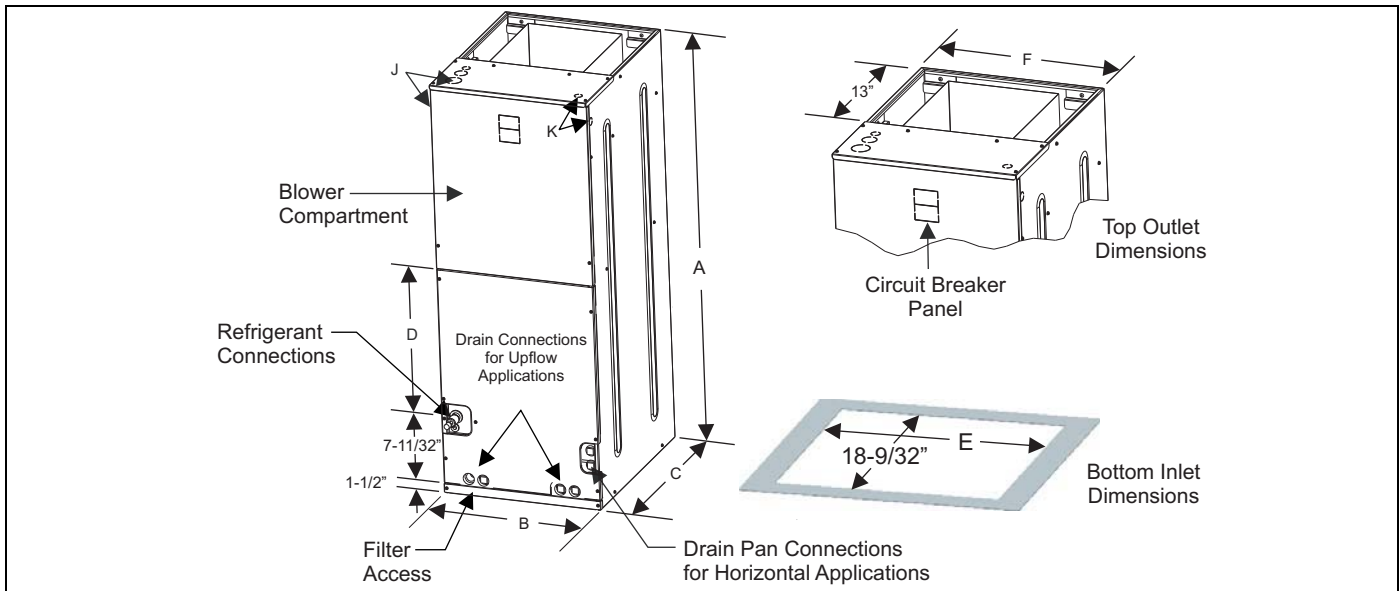
**Durable Finish Inside and Out** - Air handler casings are made of pre-painted galvanized steel which provides a better paint to steel bond that resists corrosion and rust creep. All internal coil sheet metal parts are made of G60 galvanized or prepainted G30 galvanized.

**Filters** - All models have internal filter racks provided for use with 1" thick standard size filters.

**Electric Heat Kits** - New 6HK series of field installed electric heat kits are available for installation friendly and easy service applications. These 6HK kits are unique to these new models.

**High Efficiency Blowers** - All models use high efficiency brushless DC motors to provide cooling SEER rating enhancement.

DIMENSIONS & DUCT CONNECTION DIMENSIONS



Dimensions

Models	Dimensions						Wiring Knockouts		Refrigerant Connections Line Size	
	A	B	C	D	E	F	J	K	Liquid	Vapor
	Height	Width	Depth				Power	Control		
AHE18B3XH21	46"	17 1/2"	21 1/2"	16 1/2"	13-29/32"	16 1/2"	7/8" (1/2") <sup>1</sup> 1-3/8"(1") 1-23/32" (1-1/4")	7/8" (1/2")	3/8"	3/4"
AHE22B3XH21	46"	17 1/2"		16 1/2"	13-29/32"	16 1/2"				
AHE24B3XH21	46"	17 1/2"		16 1/2"	13-29/32"	16 1/2"				
AHE30B3XH21	46"	17 1/2"		16 1/2"	13-29/32"	16 1/2"				
AHE34C3XH21	52"	21"		21 1/2"	17-13/32"	20"				
AHE36C3XH21	52"	21"		21 1/2"	17-13/32"	20"				
AHE42D3XH21	57"	24 1/2"		26"	20-29/32"	23-1/2"				
AHE48D3XH21	57"	24 1/2"		26"	20-29/32"	23-1/2"				
AHE60D3XH21	57"	24 1/2"		26"	20-29/32"	23-1/2"				

1. Actual size (conduit size).

COIL TECHNICAL DATA

Models	Application	Refrig. Conn. Types	Face Area (Sq. Ft.)	Rows Deep	Fin Per In.	Coil Size	Tube Geometry	Tube Dia.	Fin Type
AHE18B3XH21	Cooling / Heat Pump	Sweat	3.40	2	14	(2) 14 x 17.5	1 x 0.866	3/8	Enhanced
AHE22B3XH21	Cooling / Heat Pump	Sweat	3.90	2	14	(2) 16 x 17.5	1 x 0.866	3/8	Enhanced
AHE24B3XH21	Cooling / Heat Pump	Sweat	3.90	3	12	(2) 16 x 17.5	1 x 0.866	3/8	Enhanced
AHE30B3XH21	Cooling / Heat Pump	Sweat	3.90	3	12	(2) 16 x 17.5	1 x 0.866	3/8	Enhanced
AHE34C3XH21	Cooling / Heat Pump	Sweat	3.90	3	12	(2) 16 x 17.5	1 x 0.866	3/8	Enhanced
AHE36C3XH21	Cooling / Heat Pump	Sweat	4.86	3	12	(2) 20 x 17.5	1 x 0.866	3/8	Enhanced
AHE42D3XH21	Cooling / Heat Pump	Sweat	5.35	3	12	(2) 22 x 17.5	1 x 0.866	3/8	Enhanced
AHE48D3XH21	Cooling / Heat Pump	Sweat	5.83	3	11	(2) 24 x 17.5	1 x 0.866	3/8	Enhanced
AHE60D3XH21	Cooling / Heat Pump	Sweat	6.80	3	12	(2) 28 x 17.5	1 x 0.866	3/8	Enhanced

## COOLING CAPACITY

Models	Rated CFM	Entering Air °F (Dry/Wet Bulb)	MBH@ Evaporator Temperature and Corresponding Pressure °F/PSIG			
			35/61.5	40/68.5	45/76.0	50/84.0
<b>FULL-CASED "A" TYPE MULTI-POSITION</b>						
AHE18B3XH21	610	72	37.9	33.7	28.3	23.3
		67	31.8	27.0	22.5	17.6
		62	26.4	21.5	16.7	11.6
		57	20.7	18.4	15.8	13.5
	850	72	49.7	43.2	36.9	28.4
		67	42.1	35.1	28.8	22.5
		62	33.7	28.0	21.4	14.7
		57	26.5	23.8	20.3	16.9
AHE22B3XH21	585	72	37.9	33.8	29.0	24.4
		67	31.7	27.7	23.0	22.8
		62	26.4	22.1	19.5	15.8
		57	20.2	18.4	16.0	13.5
	795	72	47.7	42.6	35.3	30.3
		67	40.1	34.7	28.9	22.8
		62	32.7	27.1	24.7	19.1
		57	25.7	23.5	20.5	17.1
	985	72	55.5	47.5	41.6	34.4
		67	45.8	40.1	32.5	22.8
		62	38.1	31.7	28.2	23.2
		57	29.9	27.8	23.9	20.3
AHE24B3XH21	585	72	38.7	34.4	30.1	24.7
		67	33.6	28.9	23.9	18.9
		62	27.2	22.7	17.8	12.8
		57	21.2	18.6	16.2	13.7
	795	72	50.8	45.2	38.4	32.0
		67	43.7	36.8	31.0	24.0
		62	35.7	29.5	23.1	16.1
		57	27.9	24.5	21.0	17.6
	985	72	64.9	54.0	45.6	37.8
		67	52.3	44.6	36.9	28.4
		62	42.2	35.2	26.8	19.3
		57	33.6	29.6	25.4	21.4
AHE30B3XH21	585	72	38.7	34.4	30.1	24.7
		67	33.6	28.9	23.9	18.9
		62	27.2	22.7	17.8	12.8
		57	21.2	18.6	16.2	13.7
	795	72	50.8	45.2	38.4	32.0
		67	43.7	36.8	31.0	24.0
		62	35.7	29.5	23.1	16.1
		57	27.9	24.5	21.0	17.6
	985	72	64.9	54.0	45.6	37.8
		67	52.3	44.6	36.9	28.4
		62	42.2	35.2	26.8	19.3
		57	33.6	29.6	25.4	21.4
AHE34C3XH21	730	72	49.4	44.0	37.6	31.3
		67	42.0	36.4	29.5	22.9
		62	34.0	28.4	25.1	20.2
		57	26.6	23.9	20.7	17.5
	855	72	55.5	50.4	42.1	35.2
		67	48.0	40.3	33.3	26.4
		62	38.8	32.5	28.6	23.1
		57	30.6	28.0	23.8	19.9
	1,000	72	63.3	56.3	48.3	40.1
		67	54.2	46.4	38.3	29.8
		62	43.8	36.3	32.9	26.4
	1,190	72	71.3	63.5	55.1	44.8
67		61.3	53.1	43.5	33.7	
62		49.8	40.3	37.5	30.2	
57		38.8	36.5	31.5	26.7	

For notes see Page 4.

## COOLING CAPACITY (Continued)

Models	Rated CFM	Entering Air °F (Dry/Wet Bulb)	MBH @ Evaporator Temperature and Corresponding Pressure °F/PSIG			
			35/61.5	40/68.5	45/76.0	50/84.0
<b>FULL-CASED "A" TYPE MULTI-POSITION</b>						
AHE36C3XH21	730	72	49.3	45.2	38.3	31.4
		67	43.0	37.3	31.0	24.0
		62	34.7	28.8	22.8	16.2
		57	26.8	23.4	20.4	16.9
	855	72	59.1	51.0	44.1	36.5
		67	49.3	42.4	35.4	27.6
		62	39.9	33.1	26.1	18.2
		57	31.1	26.9	23.5	19.7
	1000	72	65.2	59.5	51.2	41.3
		67	56.4	48.3	39.9	31.3
		62	45.8	38.1	29.7	20.8
		57	35.7	31.2	26.9	22.6
1190	72	67.5	65.9	59.8	48.7	
	67	64.9	56.7	46.2	35.7	
	62	53.5	43.2	34.1	24.0	
	57	41.4	36.6	31.5	26.2	
AHE42D3XH21	820	72	56.6	51.1	42.8	35.6
		67	48.6	41.1	34.8	27.6
		62	39.4	33.0	26.0	18.3
		57	30.5	26.6	23.1	19.6
	1000	72	65.7	61.0	52.7	42.9
		67	58.0	49.6	41.1	32.1
		62	46.7	38.9	30.4	21.8
		57	36.4	31.6	27.6	23.3
	1180	72	67.9	71.4	60.2	48.8
		67	65.6	56.9	47.1	37.1
		62	53.8	45.2	34.7	24.6
		57	42.2	37.1	31.9	27.0
1385	72	69.4	81.0	68.0	57.2	
	67	77.1	65.4	54.1	41.6	
	62	62.1	51.0	39.8	28.1	
	57	48.1	42.5	36.8	30.6	
AHE48D3XH21	1000	72	69.0	59.8	51.3	41.5
		67	56.5	48.2	39.7	29.9
		62	45.1	36.8	28.3	18.9
		57	34.4	31.0	26.8	22.5
	1195	72	79.5	69.7	59.9	48.6
		67	65.2	55.5	45.5	34.9
		62	52.2	42.5	32.6	21.8
		57	40.1	36.1	31.1	26.2
	1385	72	90.0	78.1	66.0	54.5
		67	73.5	62.7	51.3	38.7
		62	59.2	48.2	36.9	24.0
		57	45.2	41.0	35.4	29.7
1600	72	102.2	90.0	74.3	60.4	
	67	83.6	70.6	57.2	43.1	
	62	66.1	54.0	41.2	27.0	
	57	50.7	46.1	39.8	33.4	
AHE60D3XH21	1190	72	83.6	73.7	62.9	51.6
		67	68.2	58.4	48.4	37.1
		62	54.9	45.3	34.8	23.9
		57	42.2	37.3	31.9	26.9
	1390	72	95.9	84.1	71.9	58.8
		67	79.2	67.4	54.4	41.6
		62	62.4	51.2	39.7	26.9
		57	48.0	42.5	36.8	30.6
	1565	72	106.3	94.2	78.5	63.5
		67	87.6	73.9	60.2	45.9
		62	69.3	56.8	43.5	29.7
		57	53.1	46.9	40.5	34.1
1835	72	122.1	107.1	90.9	72.6	
	67	100.2	85.9	69.8	51.8	
	62	79.7	65.3	49.8	32.9	
	57	60.8	54.1	46.4	38.7	

Note: Airflow is calculated for each system tonnage. Capacity varies with O.D. product.

**APPLICATION FACTORS - RATED CFM VS. ACTUAL CFM**

% Of Rated Airflow (CFM)	80%	90%	100%	110%	120%
Capacity Factor	0.96	0.98	1.00	1.02	1.03

**PHYSICAL & ELECTRICAL DATA - COOLING ONLY (60 Hz)**

Models	AHE18B	AHE22B	AHE24B	AHE30B	AHE34C	AHE36C	AHE42D	AHE48D	AHE60D
Blower - Diameter x Width	10 x 8	10 x 8	10 x 8	10 x 8	11 x 10	11 x 10	11 x 10	11 x 10	11 x 10
Motor	HP	1/3 HP	1/3 HP	1/3 HP	1/3 HP	1/2 HP	1/2 HP	1/2 HP	3/4 HP
	Nominal RPM	1050	1050	1050	1050	1050	1050	1050	1050
Voltage	208/230	208/230	208/230	208/230	208/230	208/230	208/230	208/230	208/230
Amps	Full Load (230)	2.8	2.8	2.8	2.8	4.1	4.1	4.1	6.0
	Type	DISPOSABLE OR PERMANENT							
Filter <sup>1</sup>	Size	16 x 20 x 1	16 x 20 x 1	16 x 20 x 1	16 x 20 x 1	20 x 20 x 1	20 x 20 x 1	22 x 20 x 1	22 x 20 x 1
	Permanent Type Kit	1PF0601BK	1PF0601BK	1PF0601BK	1PF0601BK	1PF0602BK	1PF0602BK	1PF0603BK	1PF0603BK
Shipping / Operating Weight (lbs.)	115/103	120/105	120/105	120/105	152/137	152/137	168/150	171/153	174/156

1. Field supplied.

**KW & MBH CONVERSIONS - FOR TOTAL POWER INPUT REQUIREMENT**

FOR	208V	OPERATION MULTIPLY	240V	TABULATED KW & MBH BY	.751
	230V		240V		.918
	220V		240V		.840

**ELECTRICAL DATA - COOLING ONLY (60 Hz)**

Models	Total Motor Amps		Minimum Circuit Ampacity		Max. O.C.P. <sup>1</sup> Amps/Type	Minimum Wire Size A.W.G.
	60 Hertz		60 Hertz			
	208V	230V	208V	230V		
<b>AHE MODELS</b>						
AHE18B3XH21	2.8	2.8	3.5	3.5	15	14
AHE22B3XH21	2.8	2.8	3.5	3.5	15	14
AHE24B3XH21	2.8	2.8	3.5	3.5	15	14
AHE30B3XH21	2.8	2.8	3.5	3.5	15	14
AHE34C3XH21	4.1	4.1	5.1	5.1	15	14
AHE36C3XH21	4.1	4.1	5.1	5.1	15	14
AHE42D3XH21	4.1	4.1	5.1	5.1	15	14
AHE48D3XH21	6.0	6.0	7.5	7.5	15	14
AHE60D3XH21	6.0	6.0	7.5	7.5	15	14

1. OCP = Over current protection device, must be HACR type circuit breaker or time delay fuse.

**ELECTRICAL DATA - 208/230-1-60**

Models	Heater Models <sup>1,2</sup>	Max. Static	ECM Min. Speed Tap	Total Heat <sup>3</sup>				kW Staging			
				kW		MBH		W1 Only		W1 + W2	
				208V	230V	208V	230V	208V	230V	208V	230V
AHE18B3XH21	6HK(0,1)6500206	0.3	Med Low #2	1.8	2.2	6.1	7.5	1.8	2.2	1.8	2.2
	6HK(0,1)6500506	0.3	Med Low #2	3.6	4.4	12.3	15.0	3.6	4.4	3.6	4.4
	6HK(0,1)6500806	0.3	Med High #4	5.8	7.0	19.7	24.0	5.8	7.0	5.8	7.0
	6HK(0,1)6501006	0.3	Med High #4	7.2	8.8	24.6	29.9	7.2	8.8	7.2	8.8
AHE22B3XH21	6HK(0,1)6500206	0.3	Low #1	1.8	2.2	6.1	7.5	1.8	2.2	1.8	2.2
	6HK(0,1)6500506	0.3	Med Low #2	3.6	4.4	12.3	15.0	3.6	4.4	3.6	4.4
	6HK(0,1)6500806	0.3	Med #3	5.8	7.0	19.7	24.0	5.8	7.0	5.8	7.0
	6HK(0,1)6501006	0.3	Med High #4	7.2	8.8	24.6	29.9	7.2	8.8	7.2	8.8
	6HK(1,2)6501306	0.3	Med High #4	9.4	11.4	31.9	38.9	3.1	3.8	9.4	11.4
	6HK(1,2)6501506	0.3	High #5	10.8	13.2	36.9	44.9	3.6	4.4	10.8	13.2

For notes see Page 6.

## ELECTRICAL DATA - 208/230-1-60 (Continued)

Models	Heater Models <sup>1,2</sup>	Max. Static	ECM Min. Speed Tap	Total Heat <sup>3</sup>				kW Staging			
				kW		MBH		W1 Only		W1 + W2	
				208V	230V	208V	230V	208V	230V	208V	230V
AHE24B3XH21	6HK(0,1)6500206	0.3	Low #1	1.8	2.2	6.1	7.5	1.8	2.2	1.8	2.2
	6HK(0,1)6500506	0.3	Med Low #2	3.6	4.4	12.3	15.0	3.6	4.4	3.6	4.4
	6HK(0,1)6500806	0.3	Med #3	5.8	7.0	19.7	24.0	5.8	7.0	5.8	7.0
	6HK(0,1)6501006	0.3	Med High #4	7.2	8.8	24.6	29.9	7.2	8.8	7.2	8.8
	6HK(1,2)6501306	0.3	Med High #4	9.4	11.4	31.9	38.9	3.1	3.8	9.4	11.4
	6HK(1,2)6501506	0.3	High #5	10.8	13.2	36.9	44.9	3.6	4.4	10.8	13.2
AHE30B3XH21	6HK(0,1)6500206	0.3	Low #1	1.8	2.2	6.1	7.5	1.8	2.2	1.8	2.2
	6HK(0,1)6500506	0.3	Med Low #2	3.6	4.4	12.3	15.0	3.6	4.4	3.6	4.4
	6HK(0,1)6500806	0.3	Med #3	5.8	7.0	19.7	24.0	5.8	7.0	5.8	7.0
	6HK(0,1)6501006	0.3	Med High #4	7.2	8.8	24.6	29.9	7.2	8.8	7.2	8.8
	6HK(1,2)6501306	0.3	Med High #4	9.4	11.4	31.9	38.9	3.1	3.8	9.4	11.4
	6HK(1,2)6501506	0.3	High #5	10.8	13.2	36.9	44.9	3.6	4.4	10.8	13.2
AHE34C3XH21	6HK(0,1)6500206	0.3	Low #1	1.8	2.2	6.1	7.5	1.8	2.2	1.8	2.2
	6HK(0,1)6500506	0.3	Med Low #2	3.6	4.4	12.3	15.0	3.6	4.4	3.6	4.4
	6HK(0,1)6500806	0.3	Med #3	5.8	7.0	19.7	24.0	5.8	7.0	5.8	7.0
	6HK(0,1)6501006	0.3	Med High #4	7.2	8.8	24.6	29.9	7.2	8.8	7.2	8.8
	6HK(1,2)6501306	0.3	Med High #4	9.4	11.4	31.9	38.9	3.1	3.8	9.4	11.4
	6HK(1,2)6501506	0.3	Med High #4	10.8	13.2	36.9	44.9	3.6	4.4	10.8	13.2
	6HK(1,2)6501806	0.3	High #5	13.0	15.8	44.2	53.9	6.5	7.9	13.0	15.8
	6HK(1,2)6502006	0.3	High #5	14.4	17.5	49.1	59.9	7.2	8.8	14.4	17.6
AHE36C3XH21	6HK(0,1)6500206	0.3	Low #1	1.8	2.2	6.1	7.5	1.8	2.2	1.8	2.2
	6HK(0,1)6500506	0.3	Med Low #2	3.6	4.4	12.3	15.0	3.6	4.4	3.6	4.4
	6HK(0,1)6500806	0.3	Med #3	5.8	7.0	19.7	24.0	5.8	7.0	5.8	7.0
	6HK(0,1)6501006	0.3	Med High #4	7.2	8.8	24.6	29.9	7.2	8.8	7.2	8.8
	6HK(1,2)6501306	0.3	Med High #4	9.4	11.4	31.9	38.9	3.1	3.8	9.4	11.4
	6HK(1,2)6501506	0.3	Med High #4	10.8	13.2	36.9	44.9	3.6	4.4	10.8	13.2
	6HK(1,2)6501806	0.3	High #5	13.0	15.8	44.2	53.9	6.5	7.9	13.0	15.8
	6HK(1,2)6502006	0.3	High #5	14.4	17.5	49.1	59.9	7.2	8.8	14.4	17.6
AHE42D3XH21	6HK(0,1)6500206	0.3	Low #1	1.8	2.2	6.1	7.5	1.8	2.2	1.8	2.2
	6HK(0,1)6500506	0.3	Med #3	3.6	4.4	12.3	15.0	3.6	4.4	3.6	4.4
	6HK(0,1)6500806	0.3	Med #3	5.8	7.0	19.7	24.0	5.8	7.0	5.8	7.0
	6HK(0,1)6501006	0.3	Med High #4	7.2	8.8	24.6	29.9	7.2	8.8	7.2	8.8
	6HK(1,2)6501306	0.3	High #5	9.4	11.4	31.9	38.9	3.1	3.8	9.4	11.4
	6HK(1,2)6501506	0.3	High #5	10.8	13.2	36.9	44.9	3.6	4.4	10.8	13.2
AHE48D3XH21	6HK(0,1)6500206	0.3	Low #1	1.8	2.2	6.1	7.5	1.8	2.2	1.8	2.2
	6HK(0,1)6500506	0.3	Low #1	3.6	4.4	12.3	15.0	3.6	4.4	3.6	4.4
	6HK(0,1)6500806	0.3	Med Low #2	5.8	7.0	19.7	24.0	5.8	7.0	5.8	7.0
	6HK(0,1)6501006	0.3	Med Low #2	7.2	8.8	24.6	29.9	7.2	8.8	7.2	8.8
	6HK(1,2)6501306	0.3	Med #3	9.4	11.4	31.9	38.9	3.1	3.8	9.4	11.4
	6HK(1,2)6501506	0.3	Med #3	10.8	13.2	36.9	44.9	3.6	4.4	10.8	13.2
	6HK(1,2)6501806	0.3	Med High #4	13.0	15.8	44.2	53.9	6.5	7.9	13.0	15.8
	6HK(1,2)6502006	0.3	High #5	14.4	17.5	49.1	59.9	7.2	8.8	14.4	17.6
AHE60D3XH21	6HK(0,1)6500206	0.3	Low #1	1.8	2.2	6.1	7.5	1.8	2.2	1.8	2.2
	6HK(0,1)6500506	0.3	Low #1	3.6	4.4	12.3	15.0	3.6	4.4	3.6	4.4
	6HK(0,1)6500806	0.3	Low #1	5.8	7.0	19.7	24.0	5.8	7.0	5.8	7.1
	6HK(0,1)6501006	0.3	Med Low #2	7.2	8.8	24.6	29.9	7.2	8.8	7.2	8.8
	6HK(1,2)6501306	0.3	Med #3	9.4	11.4	31.9	38.9	3.1	3.8	9.4	11.4
	6HK(1,2)6501506	0.3	Med #3	10.8	13.2	36.9	44.9	3.6	4.4	10.8	13.2
	6HK(1,2)6501806	0.3	Med High #4	13.0	15.8	44.2	53.9	6.5	7.9	13.0	15.8
	6HK(1,2)6502006	0.3	Med High #4	14.4	17.5	49.1	59.9	7.2	8.8	14.4	17.6
	6HK(1,2)6502506	0.3	High #5	18.0	21.9	61.4	74.9	7.2	8.8	18.0	22.0

1. (0,1) - maybe 0 (no circuit breaker) or 1 (with circuit breaker).

2. (1,2) maybe 1 (with circuit breaker, no breaker jumper bar) or 2 (with circuit breaker &amp; breaker jumper bar).

3. See conversion table on Page 5.

## ELECTRICAL DATA - (FOR SINGLE SOURCE POWER SUPPLY) - COPPER WIRE - 208/230-1-60

Models	Heater Models <sup>1,2</sup>	Heater Amps 240V	Field Wiring					
			Min. Circuit Ampacity		Max. O.C.P. <sup>3</sup> Amps/Type		75°C Wire Size - AWG	
			208V	230V	208V	230V	208V	230V
AHE18B3XH21	6HK(0,1)6500206	10.0	14.33	15.48	15	20	12	12
	6HK(0,1)6500506	20.0	25.17	27.46	30	30	10	10
	6HK(0,1)6500806	32.0	38.17	41.83	40	45	8	8
	6HK(0,1)6501006	40.0	46.83	51.42	50	60	8	6
AHE22B3XH21	6HK(0,1)6500206	10.0	14.33	15.48	15	20	12	12
	6HK(0,1)6500506	20.0	25.17	27.46	30	30	10	10
	6HK(0,1)6500806	32.0	38.17	41.83	40	45	8	8
	6HK(0,1)6501006	40.0	46.83	51.42	50	60	8	6
	6HK(1,2)6501306	52.0	59.83	65.79	60	70	6	4
	6HK(1,2)6501506	60.0	68.50	75.38	70	80	4	4
AHE24B3XH21	6HK(0,1)6500206	10.0	14.33	15.48	15	20	12	12
	6HK(0,1)6500506	20.0	25.17	27.46	30	30	10	10
	6HK(0,1)6500806	32.0	38.17	41.83	40	45	8	8
	6HK(0,1)6501006	40.0	46.83	51.42	50	60	8	6
	6HK(1,2)6501306	52.0	59.83	65.79	60	70	6	4
	6HK(1,2)6501506	60.0	68.50	75.38	70	80	4	4
AHE30B3XH21	6HK(0,1)6500206	10.0	14.33	15.48	15	20	12	12
	6HK(0,1)6500506	20.0	25.17	27.46	30	30	10	10
	6HK(0,1)6500806	32.0	38.17	41.83	40	50	8	8
	6HK(0,1)6501006	40.0	46.83	51.42	50	60	6	6
	6HK(1,2)6501306	52.0	59.83	65.79	60	70	6	4
	6HK(1,2)6501506	60.0	68.50	75.38	70	80	4	4
AHE34C3XH21	6HK(0,1)6500206	10.0	15.96	17.10	20	20	12	12
	6HK(0,1)6500506	20.0	26.79	29.08	30	30	10	10
	6HK(0,1)6500806	32.0	39.79	43.46	40	45	8	8
	6HK(0,1)6501006	40.0	48.46	53.04	50	60	8	6
	6HK(1,2)6501306	52.0	61.46	67.42	70	70	6	4
	6HK(1,2)6501506	60.0	70.13	77.00	80	80	4	4
	6HK(1,2)6501806	72.0	83.13	91.38	90	100	3	3
	6HK(1,2)6502006	80.0	91.79	100.96	100	110	3	2
AHE36C3XH21	6HK(0,1)6500206	10.0	15.96	17.10	20	20	12	12
	6HK(0,1)6500506	20.0	26.79	29.08	30	30	10	10
	6HK(0,1)6500806	32.0	39.79	43.46	40	45	8	8
	6HK(0,1)6501006	40.0	48.46	53.04	50	60	8	6
	6HK(1,2)6501306	52.0	61.46	67.42	70	70	6	4
	6HK(1,2)6501506	60.0	70.13	77.00	80	80	4	4
	6HK(1,2)6501806	72.0	83.13	91.38	90	100	3	3
	6HK(1,2)6502006	80.0	91.79	100.96	100	110	3	2
AHE42D3XH21	6HK(0,1)6500206	10.0	15.96	17.10	20	20	12	12
	6HK(0,1)6500506	20.0	26.79	29.08	30	30	10	10
	6HK(0,1)6500806	32.0	39.79	43.46	40	45	8	8
	6HK(0,1)6501006	40.0	48.46	53.04	50	60	6	6
	6HK(1,2)6501306	52.0	61.46	67.42	70	70	6	4
	6HK(1,2)6501506	60.0	70.13	77.00	80	80	4	4
AHE48D3XH21	6HK(0,1)6500206	10.0	18.3	19.5	20	20	12	12
	6HK(0,1)6500506	20.0	29.2	31.5	30	35	10	10
	6HK(0,1)6500806	32.0	42.2	45.8	45	50	8	8
	6HK(0,1)6501006	40.0	50.8	55.4	60	60	6	6
	6HK(1,2)6501306	52.0	63.8	69.8	70	70	4	4
	6HK(1,2)6501506	60.0	72.5	79.4	80	80	4	4
	6HK(1,2)6501806	72.0	85.5	93.8	90	100	3	3
	6HK(1,2)6502006	80.0	94.2	103.3	100	110	3	2

For notes see Page 8.

**ELECTRICAL DATA - (FOR SINGLE SOURCE POWER SUPPLY) - COPPER WIRE - 208/230-1-60**

Models	Heater Models <sup>1,2</sup>	Heater Amps 240V	Field Wiring					
			Min. Circuit Ampacity		Max. O.C.P. <sup>3</sup> Amps/Type		75°C Wire Size - AWG	
			208V	230V	208V	230V	208V	230V
AHE60D3XH21	6HK(0,1)6500206	10.0	18.3	19.5	20	20	12	12
	6HK(0,1)6500506	20.0	29.2	31.5	30	35	10	10
	6HK(0,1)6500806	32.0	42.2	45.8	45	50	8	8
	6HK(0,1)6501006	40.0	50.8	55.4	60	60	6	6
	6HK(1,2)6501306	52.0	63.8	69.8	70	70	4	4
	6HK(1,2)6501506	60.0	72.5	79.4	80	80	4	4
	6HK(1,2)6501806	72.0	85.5	93.8	90	100	3	3
	6HK(1,2)6502006	80.0	94.2	103.3	100	110	3	2
	6HK(1,2)6502506	100.0	115.8	127.3	120	130	1	1

- (0,1) - maybe 0 (no circuit breaker) or 1 (with circuit breaker).
- (1,2) maybe 1 (with circuit breaker, no breaker jumper bar) or 2 (with circuit breaker & breaker jumper bar).
- OCP = Over current protection device, must be HACR type circuit breaker or time delay fuse.

**ELECTRICAL DATA - (FOR MULTI-SOURCE POWER SUPPLY) - COPPER WIRE - 208/230-1-60<sup>1</sup>**

Models	Heater Models <sup>2,3</sup>	Min. Circuit Ampacity		Max. O.C.P. <sup>4</sup> Amps/Type		75°C Wire Size - AWG	
		Circuit		Circuit		Circuit	
		1st	2nd	1st	2nd	1st	2nd
		208/230	208/230	208/230	208/230	208/230	208/230
AHE22B3XH21	6HK(1,2)6501306	37.5/41.3	22.3/24.2	40/45	25/25	8/8	12/12
	6HK(1,2)6501506	43.3/47.8	25.1/27.4	45/50	30/30	8/8	10/10
AHE24B3XH21	6HK(1,2)6501306	37.5/41.3	22.3/24.2	40/45	25/25	8/8	12/12
	6HK(1,2)6501506	43.3/47.8	25.1/27.4	45/50	30/30	8/8	10/10
AHE30B3XH21	6HK(1,2)6501306	37.5/41.3	22.3/24.2	40/45	25/25	8/8	12/12
	6HK(1,2)6501506	43.3/47.8	26.8/27.4	45/50	30/30	8/8	10/10
AHE34C3XH21	6HK(1,2)6501306	37.5/41.3	23.9/25.8	40/45	25/30	8/8	12/10
	6HK(1,2)6501506	43.3/47.8	27.7/29.0	45/50	30/30	8/8	10/10
	6HK(1,2)6501806	38.9/42.9	44.1/48.0	40/45	45/50	8/8	8/8
	6HK(1,2)6502006	43.3/47.8	48.4/53.0	45/50	50/60	8/8	6/6
AHE36C3XH21	6HK(1,2)6501306	37.5/41.3	23.9/25.8	40/45	25/30	8/8	12/10
	6HK(1,2)6501506	43.3/47.8	27.7/29.0	45/50	30/30	8/8	10/10
	6HK(1,2)6501806	38.9/42.9	44.1/48.0	40/45	45/50	8/8	8/8
	6HK(1,2)6502006	43.3/47.8	48.4/53.0	45/50	50/60	8/8	6/6
AHE42D3XH21	6HK(1,2)6501306	37.5/41.3	23.9/25.8	45/45	25/30	8/8	12/10
	6HK(1,2)6501506	43.3/47.8	27.7/29.0	45/50	30/30	8/8	10/10
AHE48D3XH21	6HK(1,2)6501306	37.5/41.3	26.3/28.2	40/45	30/30	8/8	10/10
	6HK(1,2)6501506	43.3/47.8	29.1/31.4	45/50	30/35	8/8	10/10
	6HK(1,2)6501806	38.9/42.9	46.4/50.4	40/45	50/60	8/8	8/8
	6HK(1,2)6502006	43.3/47.8	50.8/55.3	45/50	60/60	8/8	6/6
AHE60D3XH21	6HK(1,2)6501306	37.5/41.3	26.3/28.2	40/45	30/30	8/8	10/10
	6HK(1,2)6501506	43.3/47.8	29.1/31.4	45/50	30/35	8/8	10/10
	6HK(1,2)6501806	38.9/42.9	46.4/50.4	40/45	50/60	8/8	8/8
	6HK(1,2)6502006	43.3/47.8	50.8/55.3	45/50	60/60	8/8	6/6
	6HK(1,2)6502506	64.9/71.7	50.8/55.3	70/80	60/60	4/4	6/6

- If wire other than non-plated, 75° ambient, copper wire is used. consult applicable tables of the NEC and local codes.
- (0,1) - maybe 0 (no circuit breaker) or 1 (with circuit breaker).
- (1,2) maybe 1 (with circuit breaker, no breaker jumper bar) or 2 (with circuit breaker & breaker jumper bar).
- OCP = Over current protection device, must be HACR type circuit breaker or time delay fuse.



## Electrical Data - 208/230-3-60

Models	Heat Kit - Three Phase	Max. Static	Min. Speed Tap	Total Heat <sup>1</sup>				KW Staging			
				KW		MBH		W1 Only		W1 + W2	
				208V	230V	208V	230V	208V	230V	208V	230V
AHE22B3XH21	6HK06501525	0.3	High #5	10.8	14.4	36.9	49.1	10.8	14.4	10.8	14.4
AHE24B3XH21	6HK06501525	0.3	High #5	10.8	14.4	36.9	49.1	10.8	14.4	10.8	14.4
AHE30B3XH21	6HK06501525	0.3	High #5	10.8	14.4	36.9	49.1	10.8	14.4	10.8	14.4
AHE34C3XH21	6HK06501525	0.3	Med High #4	10.8	14.4	36.9	49.1	10.8	14.4	10.8	14.4
	6HK16502025	0.3	High #5	14.4	19.2	49.1	65.5	7.2	9.6	14.4	19.2
AHE36C3XH21	6HK06501525	0.3	Med High #4	10.8	14.4	36.9	49.1	10.8	14.4	10.8	14.4
	6HK16502025	0.3	High #5	14.4	19.2	49.1	65.5	7.2	9.6	14.4	19.2
AHE42D3XH21	6HK06501525	0.3	High #5	10.8	14.4	36.9	49.1	10.8	14.4	10.8	14.4
	6HK16502025	0.3	High #5	14.4	19.2	49.1	65.5	7.2	9.6	14.4	19.2
AHE48D3XH21	6HK06501525	0.3	High #5	10.8	14.4	36.9	49.1	10.8	14.4	10.8	14.4
	6HK16502025	0.3	High #5	14.4	19.2	49.1	65.5	7.2	9.6	14.4	19.2
AHE60D3XH21	6HK06501525	0.3	High #5	10.8	14.4	36.9	49.1	10.8	14.4	10.8	14.4
	6HK16502025	0.3	High #5	14.4	19.2	49.1	65.5	7.2	9.6	14.4	19.2
	6HK16502525	0.3	High #5	18	24	61.4	81.9	9.0	12.0	18.0	24.0

1. See conversion table on Page 5.

## Electrical Data - (For Single Source Power Supply) - Copper Wire - 208/230-3-60

Models	Heat Kit - Three Phase	Heater Amps 240V	Field Wiring					
			Min. Circuit Ampacity		Max. O.C.P. <sup>1</sup> Amps/Type		75°C Wire Size - AWG	
			208V	230V	208V	230V	208V	230V
AHE22B3XH21	6HK06501525	34.6	41.0	44.95	45	50	8	8
AHE24B3XH21	6HK06501525	34.6	41.0	44.95	45	50	8	8
AHE30B3XH21	6HK06501525	34.6	41.0	44.95	45	50	8	8
AHE34C3XH21	6HK06501525	34.6	42.6	46.57	45	50	8	8
	6HK16502025	46.2	55.2	60.47	60	70	6	4
AHE36C3XH21	6HK06501525	34.6	42.6	46.57	45	50	8	8
	6HK16502025	46.2	55.2	60.47	60	70	6	4
AHE42D3XH21	6HK06501525	34.6	42.6	46.57	45	50	8	8
	6HK16502025	46.2	55.2	60.47	60	70	6	4
AHE48D3XH21	6HK06501525	34.6	45.0	48.95	50	50	8	8
	6HK16502025	46.2	57.6	62.84	60	70	6	4
AHE60D3XH21	6HK06501525	34.6	45.0	48.95	50	50	8	8
	6HK16502025	46.2	57.6	62.84	60	70	6	4
	6HK16502525	57.7	70.0	76.62	80	80	4	4

1. OCP = Over current protection device, must be HACR type circuit breaker or time delay fuse.

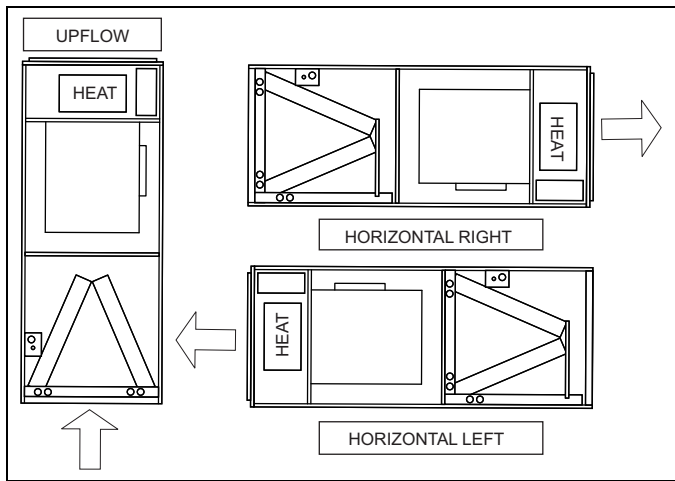
2. Heaters are 3 phase.

## Electrical Data - (For Multi-Source Power Supply) - Copper Wire - 208/230-3-60

Models	Heater Model	Minimum Circuit Ampacity		Max. O.C.P. <sup>1</sup> Amps/Type		75°C Wire Size - AWG	
		Circuit					
		1st	2nd	1st	2nd	1st	2nd
		208/230	208/230	208/230	208/230	208/230	208/230
AHE34C3XH21	6HK16502025	30.1/34.0	25/28.9	35/35	30/30	10/10	10/10
AHE36C3XH21	6HK16502025	30.1/34.0	25/28.9	35/35	30/30	10/10	10/10
AHE42D3XH21	6HK16502025	30.1/34.0	25/28.9	35/35	30/30	10/10	10/10
AHE48D3XH21	6HK16502025	32.5/36.4	25/28.9	35/40	30/30	10/8	10/10
AHE60D3XH21	6HK16502025	32.5/36.4	25/28.9	35/40	30/30	10/8	10/10
	6HK16502525	38.8/43.6	31.3/36.1	40/45	35/40	8/8	10/8

1. OCP = Over current protection device, must be HACR type circuit breaker or time delay fuse.

TYPICAL APPLICATIONS



ACCESSORIES

Refer to Price Manual for specific model numbers where not shown.

**TXV Kits** - TXV kits are available for "Flex-coil" applications and converting R-22 to R-410A or as a service replacement. All kits are bolt-on and require no brazing to install.

**Electric Heaters** - 6HK models shown under electrical data include sequential operation and temperature dual limit switches for safe, efficient operation. Circuit breakers are provided where shown.

LIMITATIONS

These units must be wired and installed in accordance with all national and local safety codes.

Voltage limits are as follows:

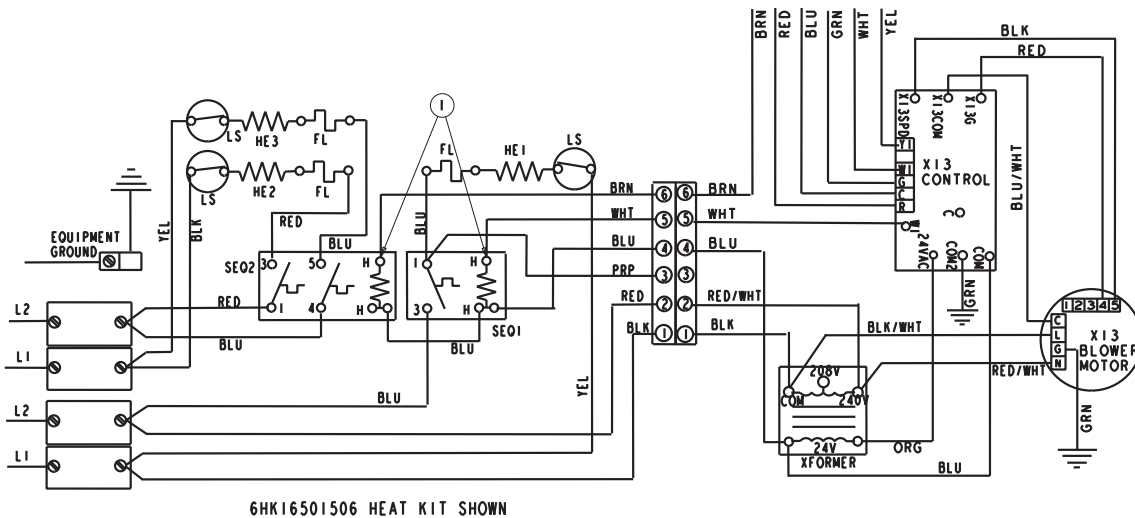
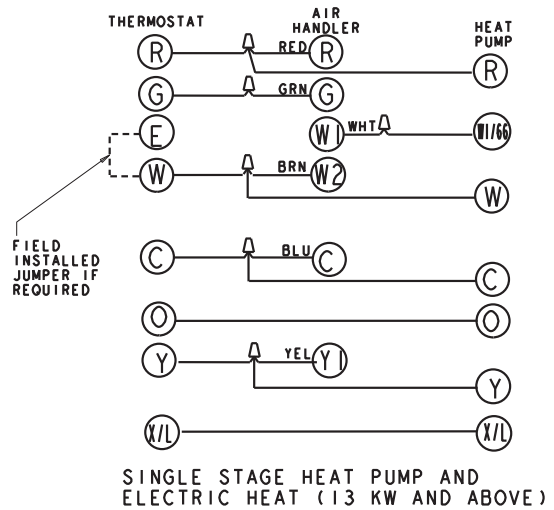
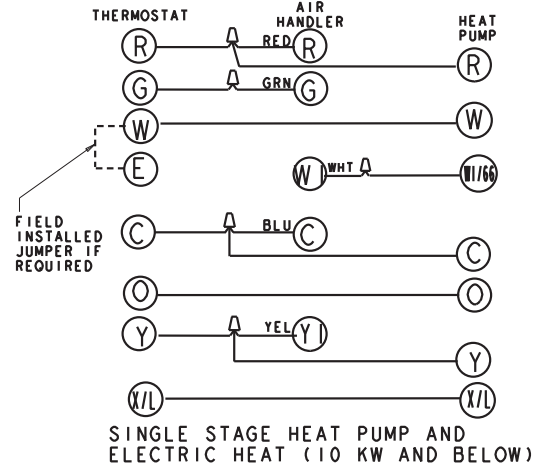
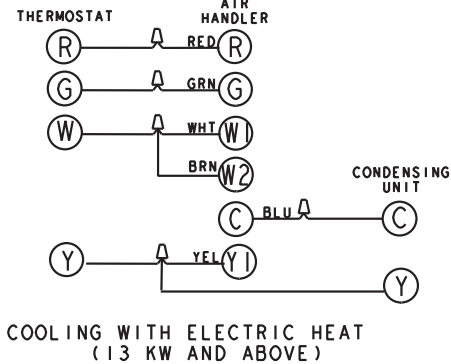
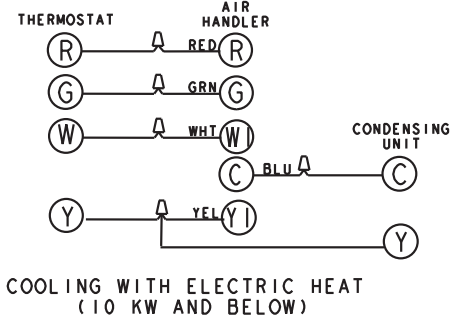
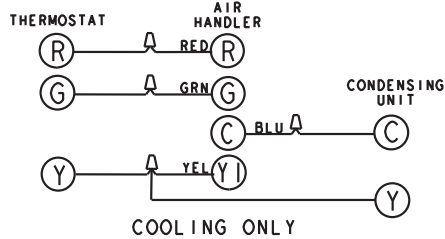
Air Handler Voltage	Voltage code	<sup>1</sup> Normal Operating Voltage Range
208/230-1-60	06	187-253

1. Rated in accordance with ARI Standard 110, utilization range "A".

Airflow must be within the minimum and maximum limits approved for electric heat, evaporator coils and outdoor units.

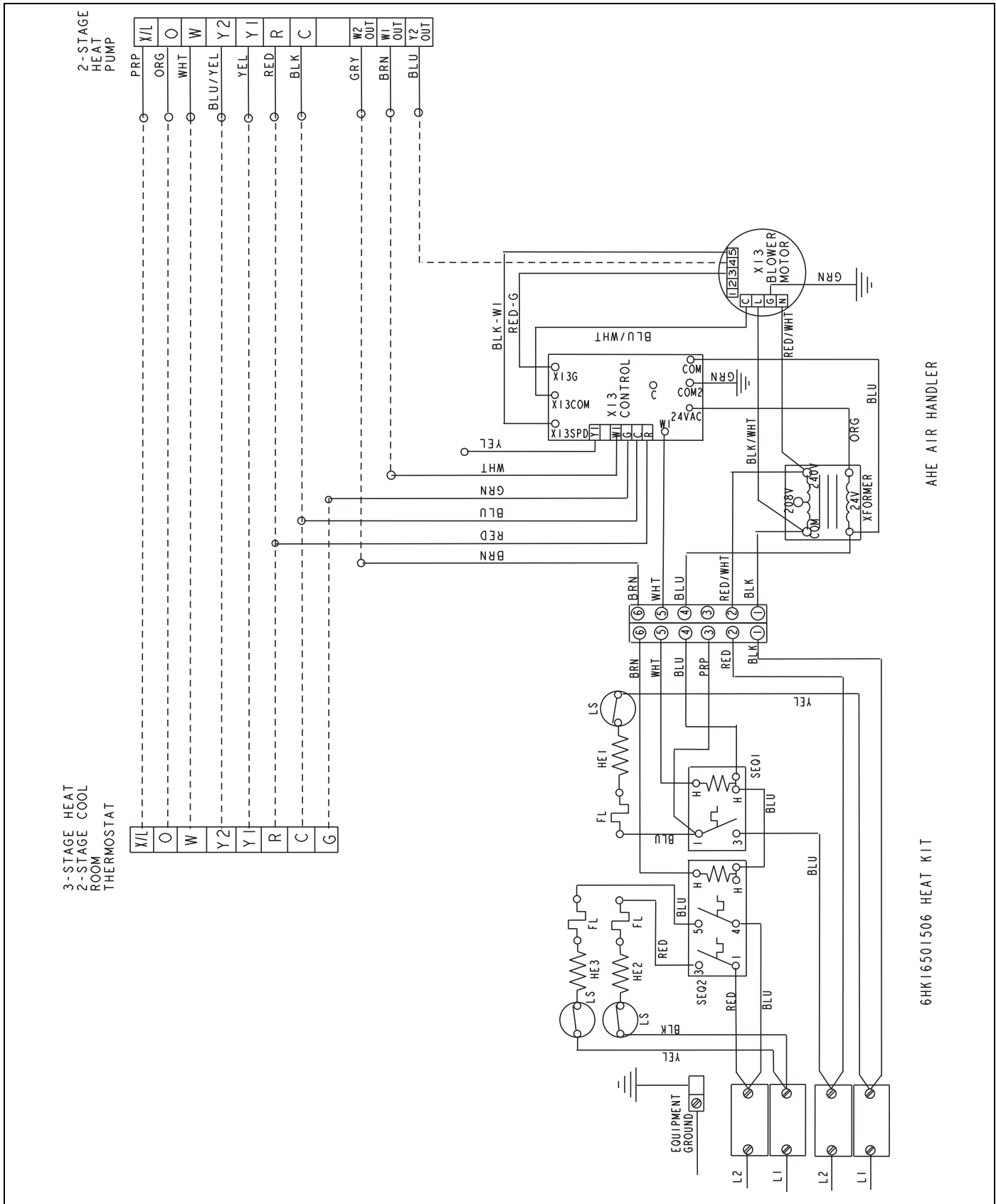
Entering Air Temperature Limits			
Wet Bulb Temp. °F		Dry Bulb Temp. °F	
Min.	Max.	Min.	Max.
57	72	65	95

TYPICAL THERMOSTAT CONNECTION



TO CHANGE THE QUANTITY OF HEAT DURING HEAT PUMP DEFROST CYCLE ① REVERSE THE BROWN AND WHITE WIRE CONNECTIONS ON THE SEQUENCERS IN THE HEATER KIT.

TYPICAL THERMOSTAT WIRING FOR 2-STAGE HEAT PUMP WITH ECM BLOWER MOTOR



AHE AIR HANDLER

6HK16501506 HEAT KIT

## AIR FLOW

## AIR FLOW DATA - 60 Hz MODELS - 208 VOLT

Models	Blower Motor Speed	CFM <sup>1</sup> @ External Static Pressure - IWC						
		0.10	0.20	0.30	0.40	0.50	0.60	0.70
<b>208 Volt</b>								
AHE18B3XH21	High #5	1074	1029	999	954	911	865	812
	Med High #4	895	846	802	759	701	630	526
	Med #3	663	610	556	482	334	219	173
	Med Low #2	630	466	346	196	170	67	23
	Low #1	630	466	346	196	170	67	23
AHE22B3XH21	High #5	1147	1107	1076	1040	992	942	861
	Med High #4	1009	974	941	903	859	811	762
	Med #3	826	785	744	690	639	566	501
	Med Low #2	654	590	556	479	419	307	251
	Low #1	580	491	425	317	224	189	73
AHE24B3XH21	High #5	1147	1107	1076	1040	992	942	861
	Med High #4	1009	974	941	903	859	811	762
	Med #3	826	785	744	690	639	566	501
	Med Low #2	654	590	556	479	419	307	251
	Low #1	580	491	425	317	224	189	73
AHE30B3XH21	High #5	1147	1107	1076	1040	992	942	861
	Med High #4	1009	974	941	903	859	811	762
	Med #3	826	785	744	690	639	566	501
	Med Low #2	654	590	556	479	419	307	251
	Low #1	580	491	425	317	224	189	73
AHE34C3XH21	High #5	1487	1454	1408	1350	1289	1216	1142
	Med High #4	1319	1277	1224	1156	1076	1010	937
	Med #3	1115	1061	987	912	836	767	679
	Med Low #2	948	894	790	714	636	554	517
	Low #1	869	668	504	447	393	284	NA
AHE36C3XH21	High #5	1473	1417	1361	1304	1241	1171	1109
	Med High #4	1257	1204	1138	1076	1000	928	856
	Med #3	1069	997	912	831	772	697	617
	Med Low #2	994	800	705	621	554	488	432
	Low #1	904	692	411	329	256	152	NA
AHE42D3XH21	High #5	1619	1577	1531	1484	1428	1372	1307
	Med High #4	1434	1391	1346	1292	1235	1164	1054
	Med #3	1243	1192	1135	1073	978	882	778
	Med Low #2	1141	1027	952	842	724	572	559
	Low #1	1025	851	465	418	253	208	123
AHE48D3XH21	High #5	1847	1812	1775	1725	1684	1645	1600
	Med High #4	1675	1640	1597	1561	1522	1479	1421
	Med #3	1436	1394	1349	1301	1246	1182	1095
	Med Low #2	1250	1211	1157	1100	1013	924	854
	Low #1	1151	1029	965	857	779	720	639
AHE60D3XH21	High #5	2083	2042	2002	1959	1921	1875	1829
	Med High #4	1893	1856	1815	1776	1728	1688	1639
	Med #3	1642	1609	1564	1512	1467	1416	1340
	Med Low #2	1443	1401	1360	1307	1242	1160	1062
	Low #1	1259	1198	1140	1067	972	900	797

1. Dry coil conditions only, tested without filters.

Air handler units are CSA listed to UL 1995/CSA C22.2 236-05 up to 0.30" w.c. external static pressure, including air filter, wet coil, and largest kW size heater, unless otherwise noted.

Operation not recommended in shaded areas.

**AIR FLOW DATA - 60 Hz MODELS - 230 VOLT**

Models	Blower Motor Speed	CFM <sup>1</sup> @ External Static Pressure - IWC						
		0.10	0.20	0.30	0.40	0.50	0.60	0.70
<b>230 Volt</b>								
AHE18B3XH21	High #5	1075	1041	1003	970	930	885	842
	Med High #4	895	845	808	767	709	647	561
	Med #3	663	618	557	490	348	267	192
	Med Low #2	629	468	356	197	175	68	23
	Low #1	629	468	356	197	175	68	23
AHE22B3XH21	High #5	1156	1120	1093	1056	1014	951	862
	Med High #4	1021	987	952	918	873	836	787
	Med #3	829	789	754	698	654	585	532
	Med Low #2	681	621	575	496	435	336	262
	Low #1	598	503	437	340	259	203	74
AHE24B3XH21	High #5	1156	1120	1093	1056	1014	951	862
	Med High #4	1021	987	952	918	873	836	787
	Med #3	829	789	754	698	654	585	532
	Med Low #2	681	621	575	496	435	336	262
	Low #1	598	503	437	340	259	203	74
AHE30B3XH21	High #5	1156	1120	1093	1056	1014	951	862
	Med High #4	1021	987	952	918	873	836	787
	Med #3	829	789	754	698	654	585	532
	Med Low #2	681	621	575	496	435	336	262
	Low #1	598	503	437	340	259	203	74
AHE34C3XH21	High #5	1471	1429	1387	1337	1289	1233	1172
	Med High #4	1301	1248	1198	1147	1008	999	927
	Med #3	1097	1044	972	906	815	748	680
	Med Low #2	943	868	768	689	617	566	520
	Low #1	370	632	515	424	365	287	NA
AHE36C3XH21	High #5	1465	1415	1360	1307	1246	1183	1118
	Med High #4	1260	1204	1142	1075	1008	946	876
	Med #3	1088	1022	939	862	782	721	626
	Med Low #2	998	810	717	630	562	493	444
	Low #1	903	707	411	323	265	152	NA
AHE42D3XH21	High #5	1632	1589	1542	1494	1446	1391	1335
	Med High #4	1430	1390	1346	1294	1238	1168	960
	Med #3	1238	1198	1145	1082	993	908	805
	Med Low #2	1118	1020	947	851	734	666	563
	Low #1	998	772	477	418	349	NA	NA
AHE48D3XH21	High #5	1861	1823	1787	1750	1708	1666	1620
	Med High #4	1674	1640	1599	1562	1516	1472	1432
	Med #3	1442	1405	1358	1311	1262	1197	1108
	Med Low #2	1257	1220	1163	1103	1031	942	864
	Low #1	1153	1031	967	867	764	718	633
AHE60D3XH21	High #5	2091	2053	2016	1975	1937	1906	1869
	Med High #4	1903	1868	1832	1791	1748	1703	1660
	Med #3	1634	1598	1562	1516	1468	1422	1350
	Med Low #2	1447	1404	1361	1318	1257	1164	1092
	Low #1	1268	1203	1148	1073	978	907	839

1. Dry coil conditions only, tested without filters.

Air handler units are CSA listed to UL 1995/CSA C22.2 236-05 up to 0.30" w.c. external static pressure, including air filter, wet coil, and largest kW size heater, unless otherwise noted.

Operation not recommended in shaded areas.