



www.Source1Parts.com

# DOWNFLOW GAS FURNACES 90% MANUFACTURED HOUSING (STYLE E)

HVAC SERVICE PARTS

Supersedes: 035-14580-002 Rev. B (1102)

035-14580-002 Rev. C (0204)

Appends: 035-14580-001 Rev. D (1002)

1 of 4

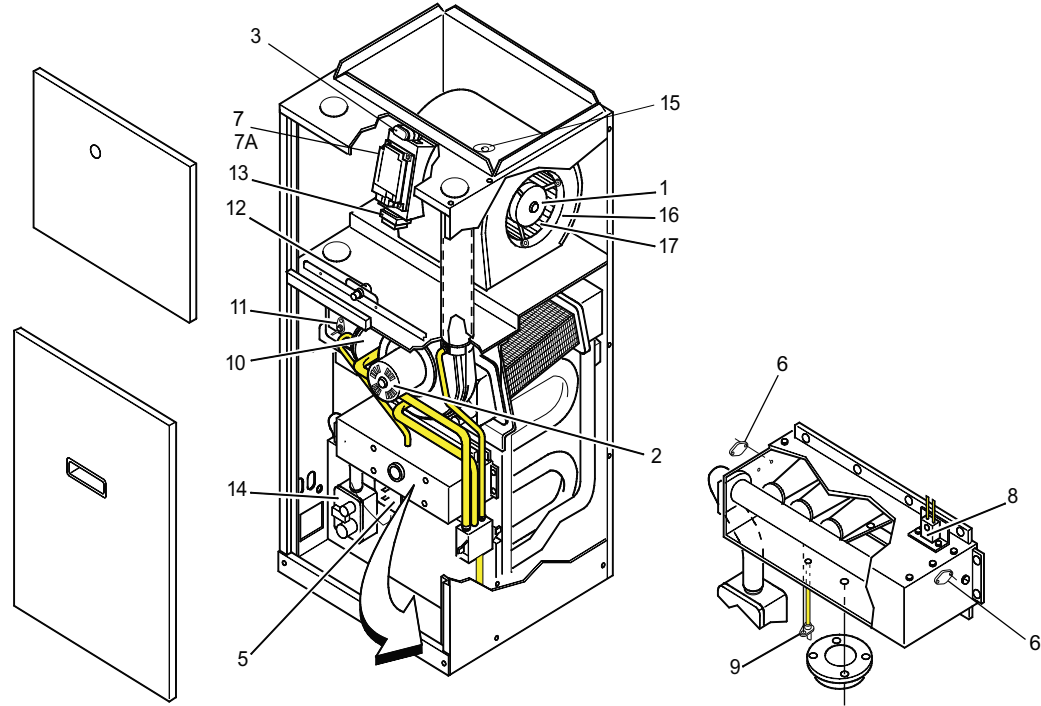


Figure 1: DOWNFLOW GAS FURNACES (90%)

FIG	ITEM	DESCRIPTION	DGAD060CDE (3 BURNER)	DGAE080CDE (4 BURNER)	DGAF100CDE (5 BURNER)
<b>MOTOR</b>					
1	1	MOTOR,DIRECT DRIVE BLOWER	024-23271-000	024-26002-000	024-23238-001
1	2	MOTOR,VENTOR ASS'Y	373-20717-001	373-20717-001	373-20717-001
<b>ELECTRICAL</b>					
1	3	CAPACITOR (7.5MFD/370V)	024-20045-000	---	---
1	3	CAPACITOR (10MFD/370V)	---	024-20046-000	---
1	3	CAPACITOR (15MFD/370V)	---	---	024-20446-000
	4				
1	5	CONTROL, HIGH LIMIT	025-29041-004	025-38412-000	025-29041-004
1	6	CONTROL, FLAME ROLL OUT (2 Req'd)	025-27792-001	025-27792-001	025-27792-001
1	7	CONTROL, FURNACE	031-01267-001	031-01267-001	031-01267-001
1	7A	FUSE	025-32746-026	025-32746-026	025-32746-026
1	8	IGNITER	025-32625-000	025-32625-000	025-32625-000
1	9	SENSOR, FLAME	025-30788-000	025-30788-000	025-30788-000
1	10	SWITCH, AIR PRESSURE [1LP]	024-27637-001	024-27638-001	024-27634-001
1	11	SWITCH, AIR PRESSURE [2LP]	024-27632-001	024-27632-001	024-27631-001
1	12	SWITCH, DOOR	024-31943-000	024-31943-000	024-31943-000
1	13	TRANSFORMER	025-30889-000	025-30889-000	025-30889-000
1	14	VALVE, GAS	025-33460-000	025-33460-000	025-33460-000
1	15	CONTROL, LIMIT (Blower)	025-27747-009	025-27747-009	025-27747-009
<b>AIR MOVING</b>					
1	16	HOUSING, BLOWER	373-18256-001	373-18256-001	373-18256-002
1	17	WHEEL, BLOWER	026-19654-009	026-19654-009	026-19654-014

NOTE: \*Not Shown

New replacement parts shown in bold face type at the first printing of parts list dated 2/04.

Major components and suggested stocking items are shown with shaded item number.

"<" Across from row indicates a change in that row.



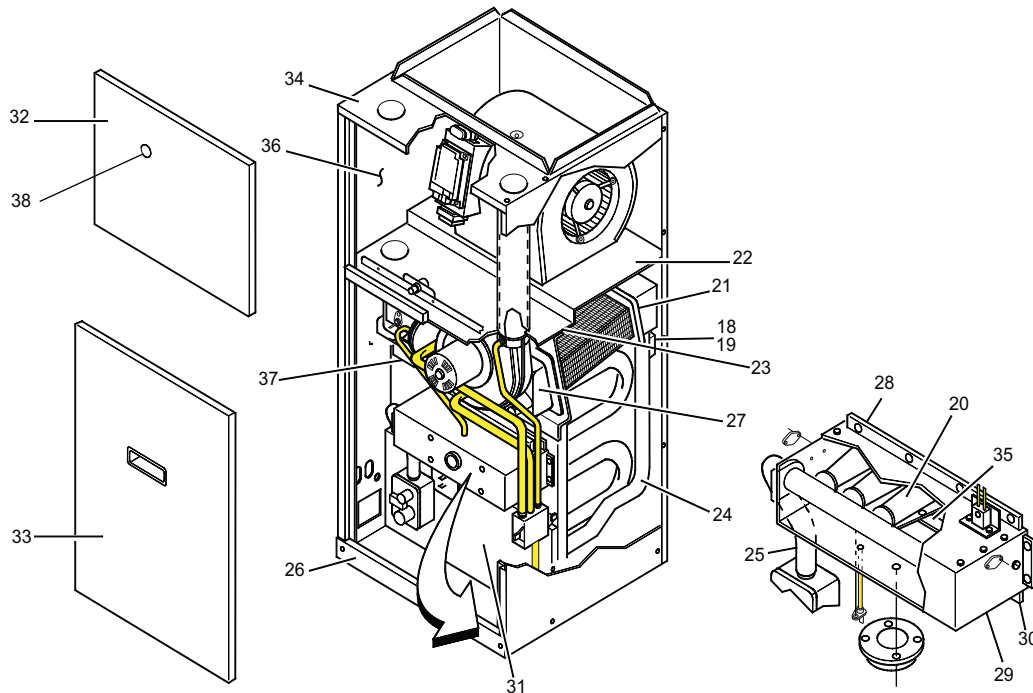


Figure 2: DOWNFLOW GAS FURNACES (90%)

FIG	ITEM	DESCRIPTION	DGAD060CDE (3 BURNER)	DGAE080CDE (4 BURNER)	DGAF100CDE (5 BURNER)
<b>FABRICATED PARTS</b>					
2	18	BAFFLE, AIR (LH Recoup.Coil)	073-17989-002	073-17989-002	073-17989-002
2	19	BAFFLE, AIR (RH Recoup.Coil)	073-17989-001	073-17989-001	073-17989-001
2	20	BURNER, MAIN GAS	029-20482-000	029-20482-000	029-20482-000
2	21	COIL, SECONDARY HEAT EXCHANGER	373-17985-003	373-17985-014	373-17985-005
2	22	DECK, BLOWER (Rear)	073-22413-000	073-22416-000	073-22414-000
2	23	DECK, FRONT BLOWER	073-19851-400	073-19851-500	073-19851-500
2	24	HEAT EXCHANGER ASS'Y (Primary)	373-19852-103	373-19852-124	373-19852-105
2	25	MANIFOLD, GAS	029-21177-002	029-22130-004	029-21177-004
2	26	PAN, BASE	073-17988-005	073-17988-006	073-17988-006
2	27	PAN, CONDENSATE	028-13323-000	028-13328-000	028-13325-000
2	28	PANEL, BURNER BOX (Bottom)	073-20821-000	073-20822-000	073-20823-000
2	29	PANEL, BURNER BOX (Front)	373-22155-002	373-22155-003	373-22155-004
2	30	WRAPPER, BURNER BOX	073-20722-000	073-20723-000	073-20724-000
2	31	COVER, HEAT EXCHANGER	073-17615-000	073-17616-000	073-17617-000
2	32	PANEL, FRONT ACCESS (Blower)	073-19851-302	073-19851-303	073-19851-303
2	33	PANEL, FRONT (Burner)	073-17975-002	073-17975-003	073-17975-003
2	34	PANEL, TOP	073-19851-202	073-19851-203	073-19851-203
2	35	SUPPORT, BURNER	073-17455-000	073-17456-000	073-17457-000
2	36	WRAPPER, CABINET	373-22417-002	373-19851-113	373-22417-003
2	37	PANEL, VESTIBULE (Lower)	073-17971-000	073-17972-000	073-17972-000
2	38	PLUG, WINDOW CLEAR -.875"	025-30899-000	025-30899-000	025-30899-000

NOTE: \*Not Shown  
 New replacement parts shown in **bold** face type at the first printing of parts list dated 2/04.  
 Major components and suggested stocking items are shown with shaded item number.  
 "<" Across from row indicates a change in that row.



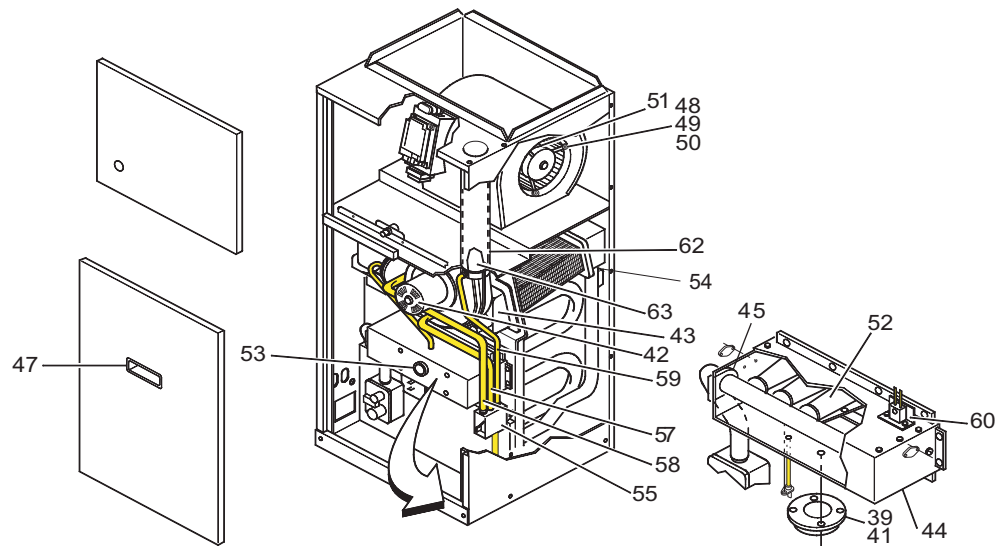


Figure 3: DOWNFLOW GAS FURNACES (90%)<

FIG	ITEM	DESCRIPTION	DGAD060CDE (3 BURNER)	DGAE080CDE (4 BURNER)	DGAF100CDE (5 BURNER)
<b>MISCELLANEOUS</b>					
3	39	COLLAR, AIR INTAKE (BURNER BOX)	028-11289-000	028-11289-000	028-11289-000
3	40	GASKET, COVER PLATE (2 Req'd)	028-14755-000	028-14755-000	028-14755-000
3	41	GASKET, AIR INTAKE	028-12460-001	028-12460-001	028-12460-001
3	42	GASKET, COMBUSTION BLOWER	028-12498-000	028-12498-000	028-12498-000
3	43	GASKET, CONDENSATE PAN	028-12458-002	028-12458-003	028-12458-003
3	44	GASKET, BURN BOX TO VEST PANEL	028-12459-002	028-12459-003	028-12459-004
3	45	GROMMET, MANIFOLD SEAL	028-12465-000	028-12465-000	028-12465-000
3	46	COVER, GAS CONTROL	073-22080-001	073-22080-002	073-22080-003
3	47	HANDLE, DOOR	029-22113-000	029-22113-000	029-22113-000
3	48	ISOLATOR, TUBE (3 Req'd.)	028-09412-001	028-09412-001	028-09412-001
3	49	ISOLATOR, WASHER (3 Req'd.)	028-09412-002	028-09412-002	028-09412-002
3	50	ISOLATOR,SLEEVE (3 Req'd.)	028-09412-003	028-09412-003	028-09412-003
3	51	MOUNT, MOTOR	026-31459-000	026-31459-000	026-31459-000
3	52	ORIFICE, BURNER (Natural #45)	029-21182-045	029-21182-045	029-21182-045
3	52	ORIFICE, BURNER (LP #55)	029-20423-055	029-20423-055	029-20423-055
3	53	PLUG, CLEAR WINDOW-1.5"	025-37005-000	025-37005-000	025-37005-000
3	54	GASKET, RETURN TUBE (1 Req'd) GASKET, RETURN TUBE (2 Req'd)	028-12461-000 ---	028-12461-000 ---	--- 028-12461-000
3	55	TRAP, CONDENSATE	028-14723-000	028-14723-000	028-14723-000
*	56	WIRING DIAGRAM	035-16457-001	035-16457-001	035-16457-001
3	57	HOSE, INDUCER DRAIN	028-13307-000	028-13307-000	028-13307-000
3	58	HOSE, RAIN GUTTER DRAIN	028-13308-000	028-13308-000	028-13308-000
3	59	HOSE, CONDENSATE DRAIN	028-13306-000	028-13306-000	028-13306-000
3	60	BRACKET, IGNITOR	073-17403-000	073-17403-000	073-17403-000
*	61	HOSE, CONDENSATE TRAP	028-13309-004	028-13309-004	028-13309-004
3	62	PIPE VENT (OUTER)	026-35453-004	026-35453-004	026-35453-004
3	63	PIPE EXHAUST VENT (INNER)	028-13298-000	028-13298-000	028-13298-000

NOTE: \*Not Shown

New replacement parts shown in **bold** face type at the first printing of parts list dated 2/04.

Major components and suggested stocking items are shown with shaded item number.

"<" Across from row indicates a change in that row.



FIELD INSTALLED ACCESSORIES - NON ELECTRICAL		
MODEL NO.	DESCRIPTION	USED WITH
1CT0302	CONCENTRIC INTAKE/VENT 2"	ALL MODELS
1CT0303	CONCENTRIC INTAKE/VENT 3"	ALL MODELS
1PS0306	HIGH ALTITUDE PRESSURE SWITCH KIT (DOES NOT INCLUDE ORIFICES)	FOR APPLICATION INFORMATION SEE FORM 650.75-N2.1V
1PS0307		
1PS0308		
1PS0309		
1PS0310		
1CB0317	COMBUSTIBLE FLOOR BASE FOR DOWN- FLOW UNITS	17-1/2" CABINETS (60)
1CB0321	COMBUSTIBLE FLOOR BASE FOR DOWN- FLOW UNITS	21" CABINETS (80,100)
1BR0317	EXTERNAL FILTER RACK WITH HIGH VELOCITY FILTER FOR HORIZONTAL APPLICATION	17-1/2" CABINETS (60)
1BR0321	EXTERNAL FILTER RACK WITH HIGH VELOCITY FILTER FOR HORIZONTAL APPLICATION	21" CABINETS (80,100)
1CA0901	ALTERNATE COMBUSTION AIR KIT	ALL MODELS

**NOTE: This Document Appends 035-14580-001 Rev. D (1102)**

**TO ORDER AUTHORIZED FACTORY REPLACEMENT PARTS** - Contact your Source1 HVAC Parts Distributor or visit our website at [www.Source1Parts.com](http://www.Source1Parts.com) for a Distributor and Dealer listing.