



www.Source1Parts.com

HVAC SERVICE PARTS

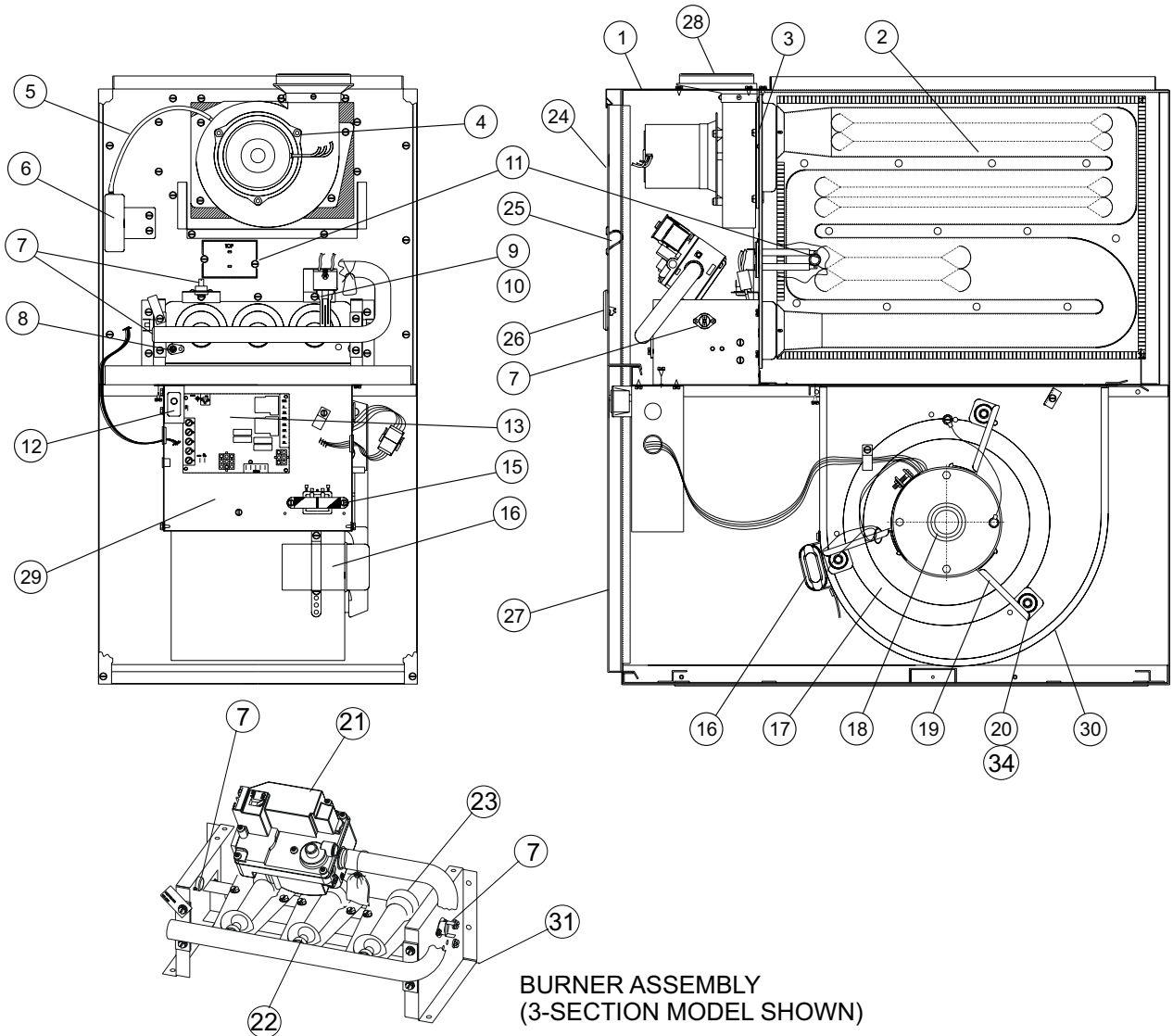
UGA SERIES (A)-CLAM TUBE M/H UPFLOW/HORIZONTAL HOT SURFACE IGNITION FURNACE

Supersedes:035-16307-001 Rev. D (0503)

035-16307-001 Rev. E (0703)

1 of 4

MODELS		
UGAA075BUA	UGAB075BUA	UGAB100BUA



Models 75, and 100

ITEM	DESCRIPTION	UGAA075BUA	UGAB075BUA	UGAB100BUA
		3 BURNER	3 BURNER	4 BURNER
1	Casing, Top Cap	2702-1171/A	2704-1171/A	2704-1171/A
2	Heat Exchanger Assembly	2703-5031/A	2703-5031/A	2704-5041/A
3	Gasket, Vent Blower	2702-3051	2702-3051	2702-3051
4	Blower, Vent	2702-321P	2702-321P	2702-321P
5	Tube, Pressure	6302-4061	2702-4061	2702-4061
6	Switch, Pressure	024-27575-000	024-27575-000	024-27576-000
7	Switch, Roll Out (3 Req'd)	2702-3191	2702-3191	2702-3191
8	Rod, Sensor	2702-311P	2702-311P	2702-311P
9	Ignitor	025-32625-000	025-32625-000	025-32625-000
10	Bracket, Ignitor	2702-1311	2702-1311	2702-1311
11	Switch, Limit (open 175 deg., close 145 deg.) Switch, Limit (open 155 deg., close 125 deg.)	2702-316P/A ---	--- 2702-315P/A	--- 2702-315P/A
12	Switch, Door	024-27640-000	024-27640-000	024-27640-000
13	Control, Integrated	031-01933-000	031-01933-000	031-01933-000
14*	Harness, Wire	2802-4711	2804-4711	2804-4711
15	Transformer (40VA)	2940A3541	2940A3541	2940A3541
16	Capacitor (7.5MFD, 370V) Capacitor (10MFD, 370V)	1499-4461 ---	--- 1499-4491	--- 1499-4491
17	Wheel, Blower	026-19654-003	026-23232-004	026-23232-004
18	Motor, Blower	024-25110-000	024-32082-000	024-32082-000
19	Mount, 1-PC. Motor	073-19831-001	073-19831-001	073-19831-001
20	Motor Mounts, Rubber (3 Req'd)	028-14740-000	028-14740-000	028-14740-000
21	Valve, Gas	025-32794-000	025-32794-000	025-35136-000
22	Orifice, Gas (Natural-0-2,000 Ft.) Orifice, Gas (LP-0-2,000 Ft.) Orifice, Gas (Natural-High Altitude-2,000-5,000 Ft.) Orifice, Gas (Natural-High Altitude-5,000-7,000 Ft.) Orifice, Gas (LP-High Altitude-2,000-7,000 Ft.)	029-21182-042 029-21182-054 9900-0891 9900-0861 9900-0521	029-21182-042 029-21182-054 9900-0891 9900-0861 9900-0521	029-21182-042 029-21182-054 9900-0891 9900-0861 9900-0521
23	Burner	2702-308P	2702-308P	2702-308P
24	Door, Top	2702-1191/A	2704-1191/A	2704-1191/A
25	Handle, Door	2845-350	2845-350	2845-350
26	Plate, Bezel	1539-400	1539-400	1539-400
27	Door, Lower	2702-1211/A	2704-1211/A	2704-1211/A
28	Transition (4')	2703-3061/A	2703-3061/A	2703-3061/A
29	Control Box Assembly	2702-526/A	2702-526/A	2702-526/A
30	Blower Assembly	373-22099-039	373-22099-041	373-22099-041
31	Burner Assembly	2703-522	2703-522	2704-522
32*	Clip, Door Latch (2 per pkg.)	3612-3531	3612-3531	3612-3531
33*	Diagram, Wiring	1952-580	1952-580	1952-580
34	Spacer (Ferrule) (3 Req'd)	023-20541-000	023-20541-000	023-20541-000

<

NOTE: *Not Shown
 New replacement parts shown in **bold** face type at the first printing of parts list dated 7/03.
 Major components and suggested stocking items are shown with shaded item number.
 “<” Across from row indicates a change in that row.
 --- Not applicable to specified model.
 All parts with three digit suffix numbers are “Special Order” parts. These parts are subject to factory availability and require extra time for delivery.

Field Installed Accessories-Non-Electrical		
Part Number	Description	Used With
9762-5061	Filter (24-5/8" x 15-3/8" x 3/4"	UGAA75
9762-5063	Filter (24-5/8" x 18-1/2 x 3/4"	UGAB75 UGAB100
9155-835/B	Coil Cabinet	All

<

Field Installed Accessories-Electrical		
Part Number	Description	Used With
3110-350P	Heating/Cooling Thermostat	All
6ET07700524G	Thermostat-Hardwired, 1Heat/1Cool. Programmable, Auto changeover. System:Cool-Off-Heat. Fan Switch: Auto-On.	All

<

<

TO ORDER AUTHORIZED FACTORY REPLACEMENT PARTS - Contact your Source1 HVAC Parts Distributor or visit our website at www.Source1Parts.com for a Distributor and Dealer listing.

Subject to change without notice. Printed in U.S.A.
Copyright © by York International Corp. 2003. All rights reserved.

035-16307-001 Rev. E (0703)
Supersedes: 035-16307-001 Rev. D (0503)

**Unitary
Products
Group**

**5005
York
Drive**

**Norman
OK
73069**