



www.Source1Parts.com

GF9S SERIES UPFLOW CONDENSING NATURAL GAS FURNACES (STYLE G)

HVAC SERVICE PARTS

Supersedes: 035-20372-001 Rev. D (0205)

035-20372-001 Rev. E (0507)

1 of 12

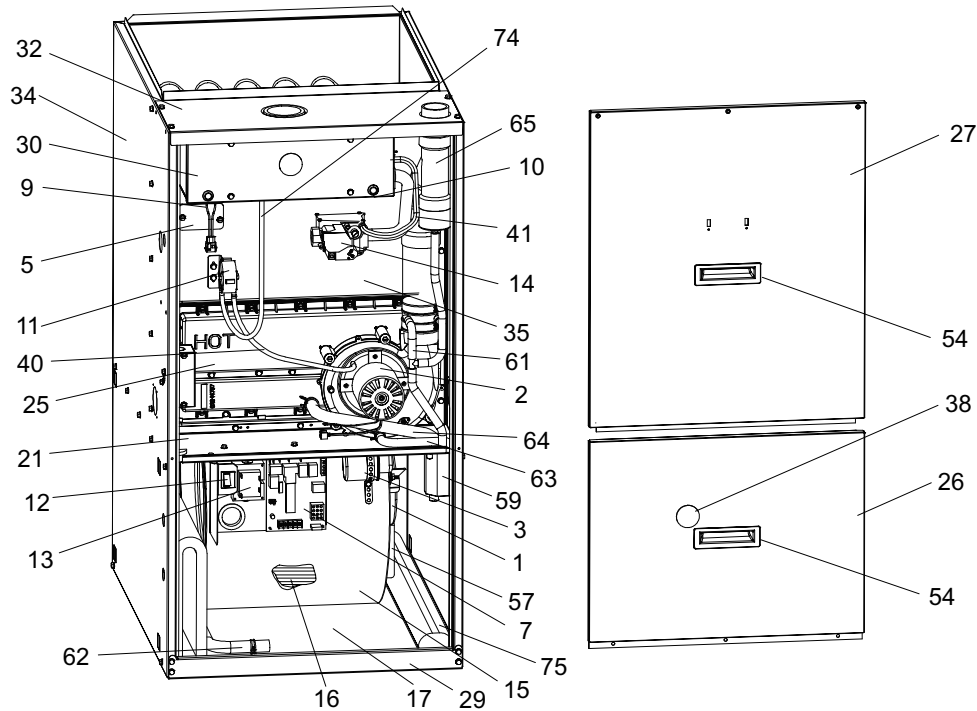


Figure 1: UPFLOW CONDENSING NATURAL GAS FURNACES

FIG	ITEM	DESCRIPTION	GF9S040A12UP11G	GF9S060B12UP11G	GF9S080B12UP11G
			(2 BURNER)	(3 BURNER)	(4 BURNER)
MOTOR					
1	1	MOTOR, DIRECT DRIVE BLOWER	024-32054-000	024-32054-000	024-32054-000
1,2	2	MOTOR, INDUCER ASS'Y	024-34558-000	024-34558-000	024-34558-000
ELECTRICAL					
1	3	CAPACITOR, RUN (7.5MFD/370V)	024-20045-000	024-20045-000	024-20045-000
2	4	SWITCH, LIMIT (INDUCER)	025-38737-000	025-38737-000	025-38737-000
1	5	LIMIT, TEMPERATURE (Primary)	025-29041-005	025-29041-004	025-29041-012
3	6	LIMIT, FLAME ROLL-OUT	025-27792-001	025-27792-001	025-27792-001
1	7	CONTROL, FURNACE MODULE	031-01972-000	031-01972-000	031-01972-000
*	8	FUSE	025-32746-026	025-32746-026	025-32746-026
1,3	9	IGNITER	025-32625-000	025-32625-000	025-32625-000
1,3	10	SENSOR, FLAME	025-37499-000	025-37499-000	025-37499-000
1	11	SWITCH, PRESSURE	024-34620-000	024-27639-001	024-27638-001
1	12	SWITCH, DOOR	024-27640-000	024-27640-000	024-27640-000
1	13	TRANSFORMER	025-30889-000	025-30889-000	025-30889-000
1,3	14	VALVE, GAS	025-37426-000	025-37426-000	025-37426-000
AIR MOVING					
1	15	HOUSING, BLOWER	373-19812-751	373-19812-751	373-19812-751
1	16	WHEEL, BLOWER	026-19654-009	026-19654-009	026-19654-009

NOTE: *Not Shown

New replacement parts shown in **bold** face type at the first printing of parts list dated 5/07.

Major components and suggested stocking items are shown with shaded item number.

"<" Across from row indicates a change in that row.

--- Not applicable to specified model.



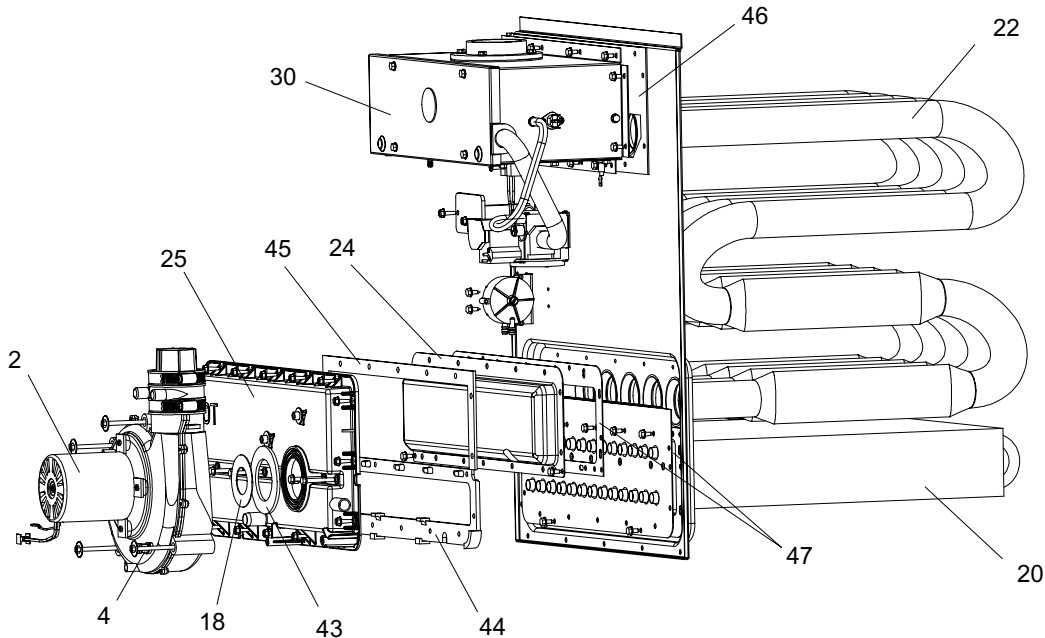


Figure 2: UPFLOW CONDENSING NATURAL GAS FURNACES

FIG	ITEM	DESCRIPTION	GF9S040A12UP11G	GF9S060B12UP11G	GF9S080B12UP11G
			(2 BURNER)	(3 BURNER)	(4 BURNER)
FABRICATED PARTS					
1	17	PANEL, BLOCK-OFF	073-19813-090	073-19812-090	073-19812-090
2	18	COMBUSTION BLWR RESTRICTOR	028-15209-000	028-15163-000	---
3	19	BURNER, MAIN GAS	029-20482-000	029-20482-000	029-20482-000
2	20	COIL, CONDENSING	373-19813-801	373-19812-801	373-19812-801
1	21	SHELF, BLOWER	073-19813-215	073-19812-212	073-19812-212
2	22	HEAT EXCHANGER ASS'Y	373-19811-601	373-19812-601	373-19812-602
3	23	MANIFOLD, GAS	029-22253-020	029-22253-030	029-22253-040
2	24	SHIELD, PAN	073-19813-560	073-19812-560	073-19812-560
1,2	25	PAN, CONDENSATE	028-15179-000	028-14756-001	028-14756-001
1	26	PANEL, BLOWER ACCESS	073-19814-114	073-19812-114	073-19812-114
1	27	ACCESS PANEL, UPPER	073-19814-121	073-19812-121	073-19812-121
3	28	WRAPPER, BURNER BOX	073-19813-020	073-19811-030	073-19811-040
1	29	CHANNEL, TOE PLATE	073-19862-055	073-19862-056	073-19862-056
1,2,3	30	COVER, GAS CONTROL	373-22155-001	373-22155-002	373-22155-003
3	31	BOTTOM PANEL, BURNER BOX	073-19811-120	073-19811-130	073-19811-140
1	32	PANEL, TOP	073-19814-011	073-19812-021	073-19812-011
3	33	SUPPORT, BURNER	073-19811-320	073-19811-330	073-19811-340
1	34	WRAPPER, CABINET	373-23750-001	373-19812-153	373-19812-153
1	35	PANEL, VESTIBULE	073-19813-024	073-19812-034	073-19812-044
3	36	PLATE, DIFFUSER	073-14566-001	073-14566-002	073-14566-003
3	37	BRACKET, IGNITER	073-17403-000	073-17403-000	073-17403-000

NOTE: *Not Shown
 New replacement parts shown in **bold** face type at the first printing of parts list dated 5/07.
 Major components and suggested stocking items are shown with shaded item number.
 "<" Across from row indicates a change in that row.
 --- Not applicable to specified model.



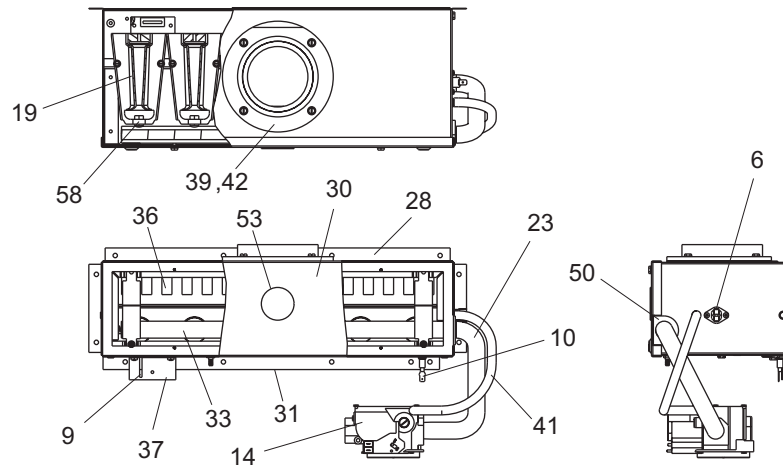


Figure 3: GAS CONTROLS

FIG	ITEM	DESCRIPTION	GF9S040A12UP11G	GF9S060B12UP11G	GF9S080B12UP11G
			(2 BURNER)	(3 BURNER)	(4 BURNER)
MISCELLANEOUS					
1	38	PLUG, WINDOW, CLEAR -1.5"	025-37005-000	025-37005-000	025-37005-000
3	39	CONNECTOR AIR INTAKE 2"	028-11289-000	028-11289-000	028-11289-000
1	40	TUBING, SILICONE (Gray, .188 ID, 2 ft. Req'd)	028-12499-000	028-12499-000	028-12499-000
1,3	41	TUBING, PREFORMED	028-15170-000	028-15170-000	028-15170-000
3	42	GASKET, AIR INTAKE	028-12460-001	028-12460-001	028-12460-001
2	43	GASKET, COMBUSTION BLOWER	028-14767-000	028-14767-000	028-14767-000
2	44	GASKET, CONDENSATE PAN	028-14759-001	028-14759-002	028-14759-002
2	45	GASKET, UPPER CONDENSATE PAN	028-15180-000	028-14773-000	028-14773-000
2	46	GASKET, GAS CONTROLS	028-14772-102	028-14772-103	028-14772-104
2	47	GASKET (COND. COIL/LOWER PAN) (2 Req'd)	028-14760-001	028-14760-002	028-14760-002
	48				
*	49	GASKET, MOUNTING BRKT (Burner Box)	028-13256-000	028-13256-000	028-13256-000
3	50	GROMMET, MANIFOLD SEAL	028-12465-000	028-12465-000	028-12465-000
*	51	GROMMET, MOTOR (3 Req'd)	028-14740-000	028-14740-000	028-14740-000
*	52	GROMMET, 1/2" DIA.	025-30823-000	025-30823-000	025-30823-000
3	53	PLUG, WINDOW, CLEAR - 1.5"	025-37005-000	025-37005-000	025-37005-000
1	54	HANDLE, DOOR (2 Req'd)	028-14886-000	028-14886-000	028-14886-000
	55				
*	56	HARNESS, MAIN WIRING	373-19811-531	373-19811-531	373-19811-531
1	57	MOUNT, 1 PC. MOTOR	073-19831-001	073-19831-001	073-19831-001
3	58	ORIFICE, BURNER (Natural #45)	029-21182-045	029-21182-045	029-21182-045
1	59	TRAP, CONDENSATE	028-14762-000	028-14762-000	028-14762-000
*	60	WIRING DIAGRAM	105210	035-17738-001	035-17738-001
1	61	DRAIN TUBE ASSEMBLY	028-15192-000	028-15192-000	028-15192-000
1	62	DRAIN TUBE, CONDENSATE TRAP	028-13309-004	028-13309-004	028-13309-004
1	63	DRAIN TUBE, COMBUSTION BLOWER	028-14764-000	028-14764-000	028-14764-000
1	64	DRAIN TUBE, CONDENSATE PAN	028-14763-000	028-14763-000	028-14763-000
1	65	ASSEMBLY, VENT PIPE	028-15191-000	028-15191-000	028-15191-000
*	66	LOCKNUT, CONDUIT (1/2")	025-32683-000	025-32683-000	025-32683-000
*	67	ADAPTER, INSERT	025-31808-000	025-31808-000	025-31808-000
*	68	BUSHING, THREADED	025-31807-000	025-31807-000	025-31807-000
*	69	WASHER, FLAT FIBERGLASS (2 Req'd)	028-14768-000	028-14768-000	028-14768-000
*	70	REDUCER, PVC	028-14769-000	028-14769-000	028-14769-000
*	71	FILTER ((.75 X 16 X 25)	026-35808-000	026-35808-000	026-35808-000
*	72	FILTER RACK	026-35809-000	026-35809-000	026-35809-000
*	73	LOGO/BEZEL PLATE	035-20061-001	035-20061-001	035-20061-001
1	74	TUBING, SILICONE (Gray, .188 ID, 1.25 ft. Req'd)	028-12499-000	028-12499-000	028-12499-000
1	75	FRAME, SIDE BASE (2 Req'd)	073-19811-085	073-19811-085	073-19811-085

NOTE: *Not Shown

New replacement parts shown in **bold** face type at the first printing of parts list dated 5/07.

Major components and suggested stocking items are shown with shaded item number.

"<" Across from row indicates a change in that row.

--- Not applicable to specified model.



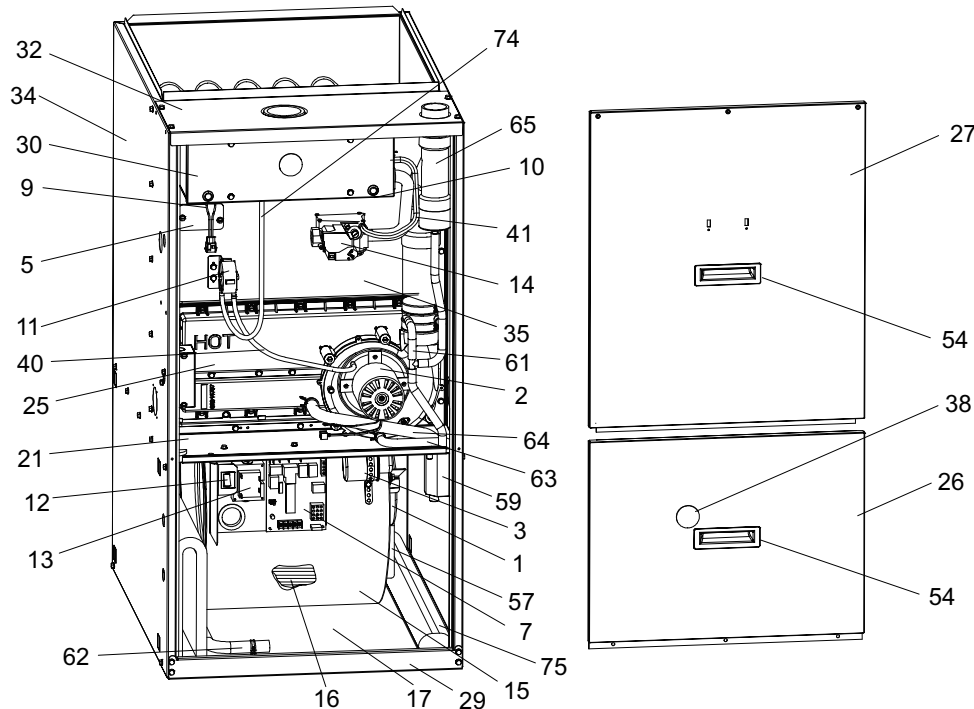


Figure 1: UPFLOW CONDENSING NATURAL GAS FURNACES

FIG	ITEM	DESCRIPTION	GF9S080C16UP11G	GF9S080C20UP11G	GF9S100C16UP11G
			(4 BURNER)	(4 BURNER)	(5 BURNER)
MOTOR					
1	1	MOTOR, DIRECT DRIVE BLOWER	024-32055-000	024-32056-000	024-32055-000
1,2	2	MOTOR, INDUCER ASS'Y	024-34558-000	024-34558-000	024-34558-000
ELECTRICAL					
1	3	CAPACITOR (10MFD/370V)	024-20046-000	---	024-20046-000
		CAPACITOR (15MFD/370V)	---	024-25900-000	---
2	4	SWITCH, LIMIT (INDUCER)	025-38737-000	025-38737-000	025-38737-000
1	5	LIMIT, TEMPERATURE (Primary)	025-29041-011	025-29041-005	025-29041-011
3	6	LIMIT, FLAME ROLL-OUT	025-27792-001	025-27792-001	025-27792-001
1	7	CONTROL, FURNACE MODULE	031-01972-000	031-01972-000	031-01972-000
*	8	FUSE	025-32746-026	025-32746-026	025-32746-026
1,3	9	IGNITER	025-32625-000	025-32625-000	025-32625-000
1,3	10	SENSOR, FLAME	025-37499-000	025-37499-000	025-37499-000
1	11	SWITCH, PRESSURE	024-27638-001	024-27638-001	024-27638-001
1	12	SWITCH, DOOR	024-27640-000	024-27640-000	024-27640-000
1	13	TRANSFORMER	025-30889-000	025-30889-000	025-30889-000
1,3	14	VALVE, GAS	025-37426-000	025-37426-000	025-37426-000
AIR MOVING					
1	15	HOUSING, BLOWER	373-19816-751	373-19820-751	373-19816-751
1	16	WHEEL, BLOWER	026-19654-014	026-38510-000	026-19654-014

NOTE: *Not Shown
 New replacement parts shown in **bold** face type at the first printing of parts list code dated 5/07.
 Major components and suggested stocking items are shown with shaded item number.
 "<" Across from row indicates a change in that row.
 --- Not applicable to specified model.

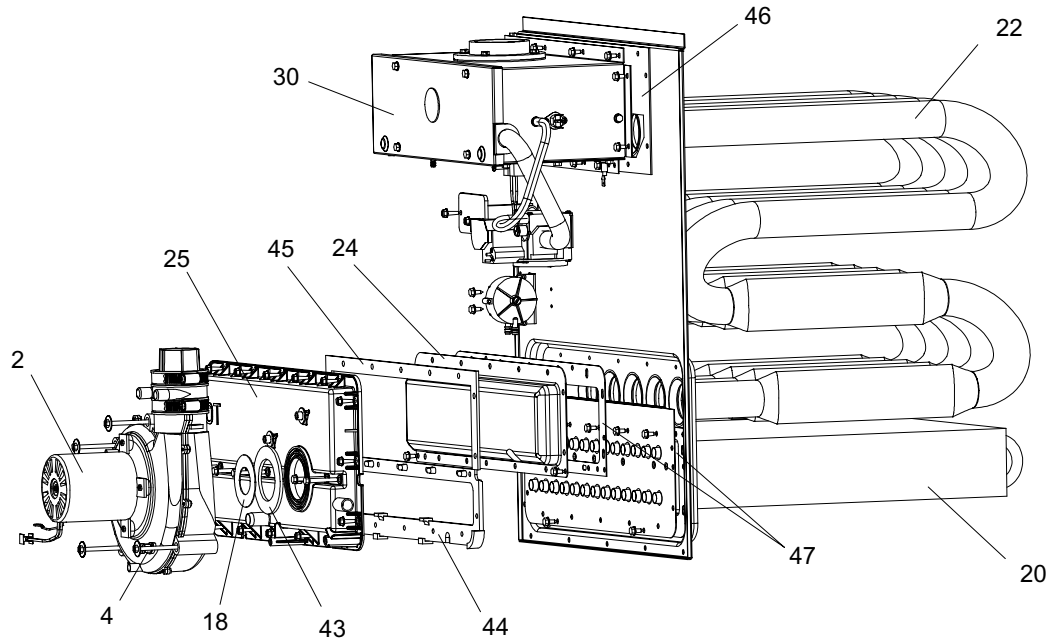


Figure 2: UPFLOW CONDENSING NATURAL GAS FURNACES

FIG	ITEM	DESCRIPTION	GF9S080C16UP11G	GF9S080C20UP11G	GF9S100C16UP11G
			(4 BURNER)	(4 BURNER)	(5 BURNER)
FABRICATED PARTS					
1	17	PANEL, BLOCK-OFF	073-19816-090	073-19816-090	073-19816-090
2	18	COMBUSTION BLWR RESTRICTOR	028-15164-000	---	---
3	19	BURNER, MAIN GAS	029-20482-000	029-20482-000	029-20482-000
2	20	COIL, CONDENSING	373-19816-801	373-19816-801	373-19816-801
1	21	SHELF, BLOWER	073-19816-212	073-19816-216	073-19816-212
2	22	HEAT EXCHANGER ASS'Y	373-19816-601	373-19816-601	373-19816-602
3	23	MANIFOLD, GAS	029-22253-040	029-22253-040	029-22253-050
2	24	SHIELD, PAN	073-19816-560	073-19816-560	073-19816-560
1,2	25	PAN, CONDENSATE	028-14757-001	028-14757-001	028-14757-001
1	26	PANEL, BLOWER ACCESS	073-19816-114	073-19816-114	073-19816-114
1	27	ACCESS PANEL, UPPER	073-19816-121	073-19816-121	073-19816-121
3	28	WRAPPER, BURNER BOX	073-19811-040	073-19811-040	073-19811-050
1	29	CHANNEL, TOE PLATE	073-19862-057	073-19862-057	073-19862-057
1,2,3	30	COVER, GAS CONTROL	373-22155-003	373-22155-003	373-22155-004
3	31	BOTTOM PANEL, BURNER BOX	073-19811-140	073-19811-140	073-19811-150
1	32	PANEL, TOP	073-19816-021	073-19816-021	073-19816-011
3	33	SUPPORT, BURNER	073-19811-340	073-19811-340	073-19811-350
1	34	WRAPPER, CABINET	373-19816-153	373-23751-001	373-19816-153
1	35	PANEL, VESTIBULE	073-19816-044	073-19816-044	073-19816-054
3	36	PLATE, DIFFUSER	073-14566-003	073-14566-003	073-14566-004
3	37	BRACKET, IGNITER	073-17403-000	073-17403-000	073-17403-000

NOTE: *Not Shown
 New replacement parts shown in **bold** face type at the first printing of parts list dated 5/07.
 Major components and suggested stocking items are shown with shaded item number.
 "<" Across from row indicates a change in that row.
 --- Not applicable to specified model.



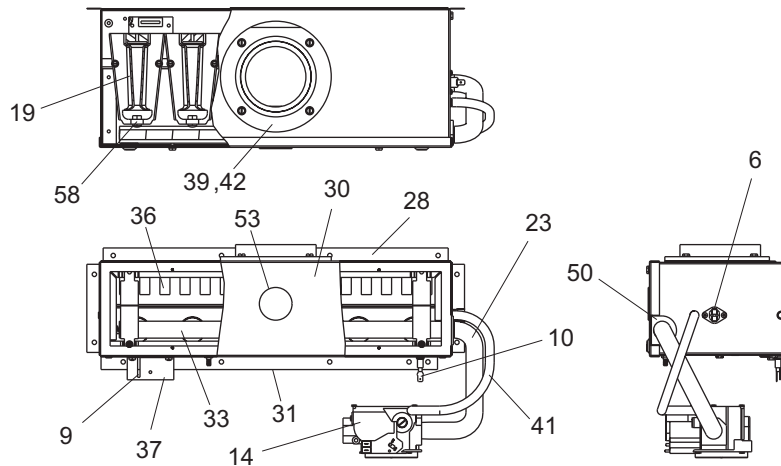


Figure 3: GAS CONTROLS

FIG	ITEM	DESCRIPTION	GF9S080C16UP11G	GF9S080C20UP11G	GF9S100C16UP11G
			(4 BURNER)	(4 BURNER)	(5 BURNER)
MISCELLANEOUS					
1	38	PLUG, WINDOW, CLEAR -1.5"	025-37005-000	025-37005-000	025-37005-000
3	39	CONNECTOR AIR INTAKE 2"	028-11289-000	028-11289-000	028-11289-000
1	40	TUBING, SILICONE (Gray, .188 ID, 2 ft. Req'd)	028-12499-000	028-12499-000	028-12499-000
1,3	41	TUBING, PPREFORMED	028-15170-000	028-15170-000	028-15170-000
3	42	GASKET, AIR INTAKE	028-12460-001	028-12460-001	028-12460-001
2	43	GASKET, COMBUSTION BLOWER	028-14767-000	028-14767-000	028-14767-000
2	44	GASKET, CONDENSATE PAN	028-14759-003	028-14759-003	028-14759-003
2	45	GASKET, UPPER CONDENSATE PAN	028-14774-000	028-14774-000	028-14774-000
2	46	GASKET, GAS CONTROLS	028-14772-104	028-14772-104	028-14772-105
2	47	GASKET (COND. COIL/LOWER PAN) (2 Req'd)	028-14760-003	028-14760-003	028-14760-003
	48				
*	49	GASKET, MOUNTING BRKT (Burner Box)	028-13256-000	028-13256-000	028-13256-000
3	50	GROMMET, MANIFOLD SEAL	028-12465-000	028-12465-000	028-12465-000
*	51	GROMMET, MOTOR (3 Req'd)	028-14740-000	028-14740-000	028-14740-000
*	52	GROMMET, 1/2" DIA.	025-30823-000	025-30823-000	025-30823-000
3	53	PLUG, WINDOW, CLEAR - 1.5"	025-37005-000	025-37005-000	025-37005-000
1	54	HANDLE, DOOR (2 Req'd)	028-14886-000	028-14886-000	028-14886-000
	55				
*	56	HARNESS, MAIN WIRING	373-19811-531	373-19811-531	373-19811-531
1	57	MOUNT, 1 PC. MOTOR	073-19831-001	073-19831-001	073-19831-001
3	58	ORIFICE, BURNER (Natural #45)	029-21182-045	029-21182-045	029-21182-045
1	59	TRAP, CONDENSATE	028-14762-000	028-14762-000	028-14762-000
*	60	WIRING DIAGRAM	035-17738-001	105210	035-17738-001
1	61	DRAIN TUBE ASSEMBLY	028-15192-000	028-15192-000	028-15192-000
1	62	DRAIN TUBE, CONDENSATE TRAP	028-13309-004	028-13309-004	028-13309-004
1	63	DRAIN TUBE, COMBUSTION BLOWER	028-14764-000	028-14764-000	028-14764-000
1	64	DRAIN TUBE, CONDENSATE PAN	028-14763-000	028-14763-000	028-14763-000
1	65	ASSEMBLY, VENT PIPE	028-15191-000	028-15191-000	028-15191-000
*	66	LOCKNUT, CONDUIT (1/2")	025-32683-000	025-32683-000	025-32683-000
*	67	ADAPTER, INSERT	025-31808-000	025-31808-000	025-31808-000
*	68	BUSHING, THREADED	025-31807-000	025-31807-000	025-31807-000
*	69	WASHER, FLAT FIBERGLASS (2 Req'd)	028-14768-000	028-14768-000	028-14768-000
*	70	REDUCER, PVC	028-14769-000	028-14769-000	028-14769-000
*	71	FILTER ((.75 X 16 X 25)	026-35808-000	026-35808-000	026-35808-000
*	72	FILTER RACK	026-35809-000	026-35809-000	026-35809-000
*	73	LOGO/BEZEL PLATE	035-20061-001	035-20061-001	035-20061-001
1	74	TUBING, SILICONE (Gray, .188 ID, 1.25 ft. Req'd)	028-12499-000	028-12499-000	028-12499-000
1	75	FRAME, SIDE BASE (2 Req'd)	073-19811-085	073-19811-085	073-19811-085

NOTE: *Not Shown
 New replacement parts shown in **bold** face type at the first printing of parts list dated 5/07.
 Major components and suggested stocking items are shown with shaded item number.
 "←" Across from row indicates a change in that row.
 --- Not applicable to specified model.

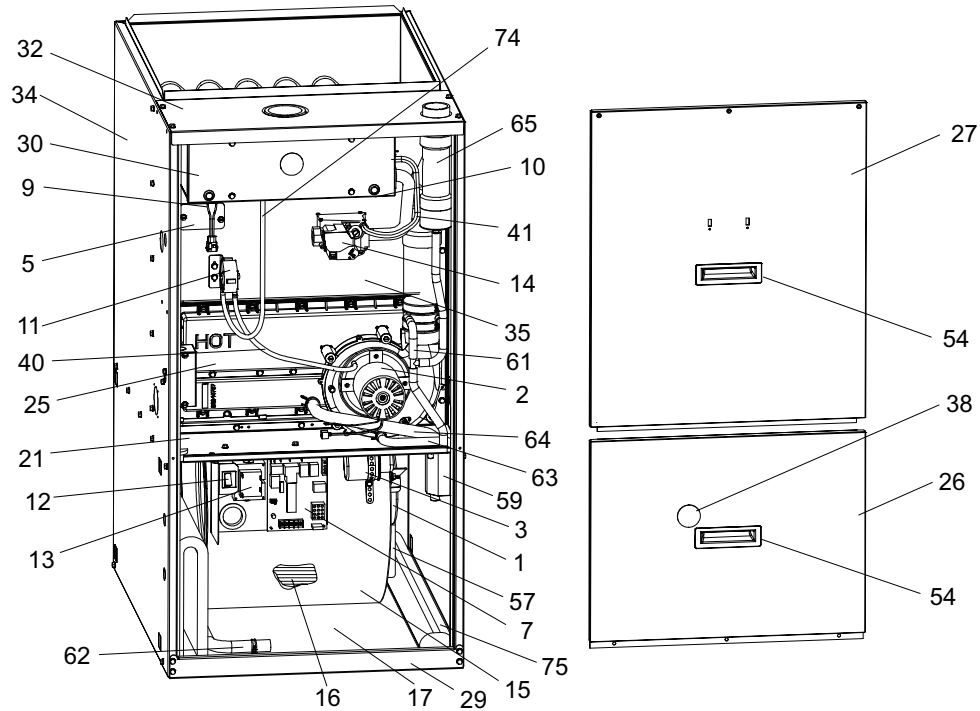


Figure 1: UPFLOW CONDENSING NATURAL GAS FURNACES

FIG	ITEM	DESCRIPTION	GF9S100C20UP11G	GF9S120D20UP11G	GF9S135D20UP11G
			(5 BURNER)	(6 BURNER)	(6 BURNER)
MOTOR					
1	1	MOTOR, DIRECT DRIVE BLOWER	024-32056-000	024-32056-000	024-32056-000
1,2	2	MOTOR, INDUCER ASS'Y	024-34558-000	024-34558-000	024-34558-000
ELECTRICAL					
1	3	CAPACITOR (15MFD/370V)	024-25900-000	024-25900-000	024-25900-000
2	4	SWITCH, LIMIT (INDUCER)	025-38737-000	025-38737-000	025-38737-000
1	5	LIMIT, TEMPERATURE (Primary)	025-29041-004	025-29041-011	025-29041-012
3	6	LIMIT, FLAME ROLL-OUT	025-27792-001	025-27792-001	025-27792-001
1	7	CONTROL, FURNACE MODULE	031-01972-000	031-01972-000	031-01972-000
*	8	FUSE	025-32746-026	025-32746-026	025-32746-026
1,3	9	IGNITER	025-32625-000	025-32625-000	025-32625-000
1,3	10	SENSOR, FLAME	025-37499-000	025-37499-000	025-37499-000
1	11	SWITCH, PRESSURE	024-27638-001	024-27639-001	024-34647-000
1	12	SWITCH, DOOR	024-27640-000	024-27640-000	024-27640-000
1	13	TRANSFORMER	025-30889-000	025-30889-000	025-30889-000
1,3	14	VALVE, GAS	025-37426-000	025-37426-000	025-37426-000
AIR MOVING					
1	15	HOUSING, BLOWER	373-19820-751	373-19820-751	373-19820-751
1	16	WHEEL, BLOWER	026-38510-000	026-38510-000	026-38510-000

NOTE: *Not Shown
 New replacement parts shown in **bold** face type at the first printing of parts list dated 5/07.
 Major components and suggested stocking items are shown with shaded item number.
 "<" Across from row indicates a change in that row.
 --- Not applicable to specified model.



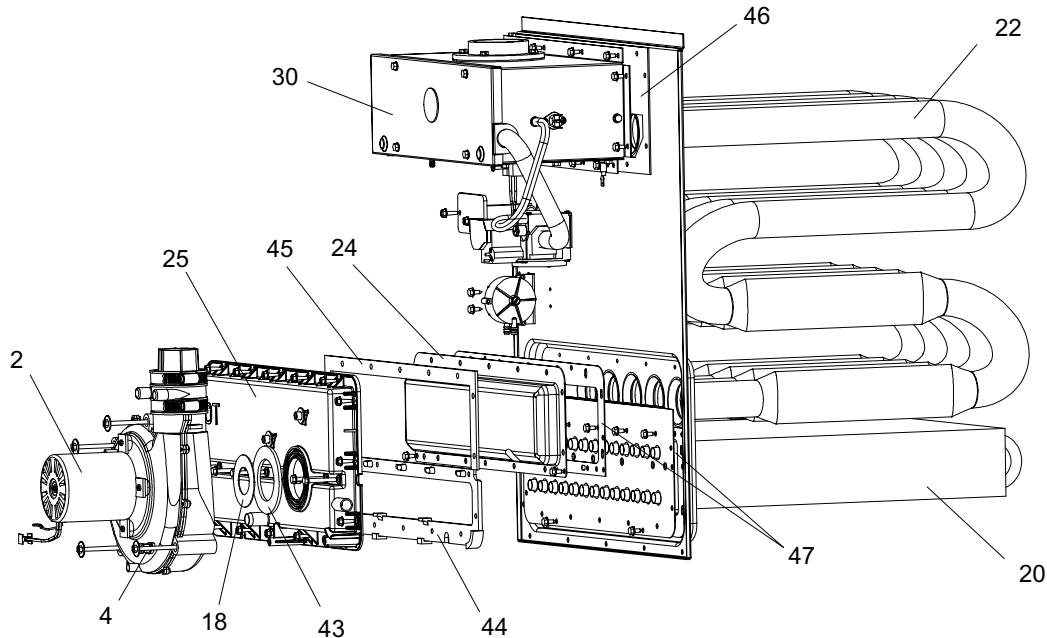


Figure 2: UPFLOW CONDENSING NATURAL GAS FURNACES

FIG	ITEM	DESCRIPTION	GF9S100C20UP11G	GF9S120D20UP11G	GF9S135D20UP11G
			(5 BURNER)	(6 BURNER)	(6 BURNER)
FABRICATED PARTS					
1	17	PANEL, BLOCK-OFF	073-19816-090	073-19820-090	073-19820-090
2	18	COMBUSTION BLWR RESTRICTOR	---	---	---
3	19	BURNER, MAIN GAS	029-20482-000	029-20482-000	029-20482-000
2	20	COIL, CONDENSING	373-19816-801	373-19820-801	373-19820-801
1	21	SHELF, BLOWER	073-19816-216	073-19820-212	073-19820-215
2	22	HEAT EXCHANGER ASS'Y	373-19816-602	373-19820-601	373-19820-602
3	23	MANIFOLD, GAS	029-22253-050	029-22253-060	029-22253-060
2	24	SHIELD, PAN	073-19816-560	073-19820-560	073-19820-560
1,2	25	PAN, CONDENSATE	028-14757-001	028-14758-002	028-14758-002
1	26	PANEL, BLOWER ACCESS	073-19816-114	073-19820-114	073-19820-114
1	27	ACCESS PANEL, UPPER	073-19816-121	073-19820-121	073-19820-121
3	28	WRAPPER, BURNER BOX	073-19811-050	073-19811-060	073-19811-060
1	29	CHANNEL, TOE PLATE	073-19862-057	073-19862-058	073-19862-058
1,2,3	30	COVER, GAS CONTROL	373-22155-004	373-22155-005	373-22155-005
3	31	BOTTOM PANEL, BURNER BOX	073-19811-150	073-19811-160	073-19811-160
1	32	PANEL, TOP	073-19816-011	073-19820-011	073-19820-011
3	33	SUPPORT, BURNER	073-19811-350	073-19811-360	073-19811-360
1	34	WRAPPER, CABINET	373-23751-001	373-19820-153	373-19820-153
1	35	PANEL, VESTIBULE	073-19816-054	073-19820-064	073-19820-064
3	36	PLATE, DIFFUSER	073-14566-004	073-14566-005	073-14566-005
3	37	BRACKET, IGNITER	073-17403-000	073-17403-000	073-17403-000

NOTE: *Not Shown
 New replacement parts shown in **bold** face type at the first printing of parts list dated 5/07.
 Major components and suggested stocking items are shown with shaded item number.
 "<" Across from row indicates a change in that row.
 --- Not applicable to specified model.

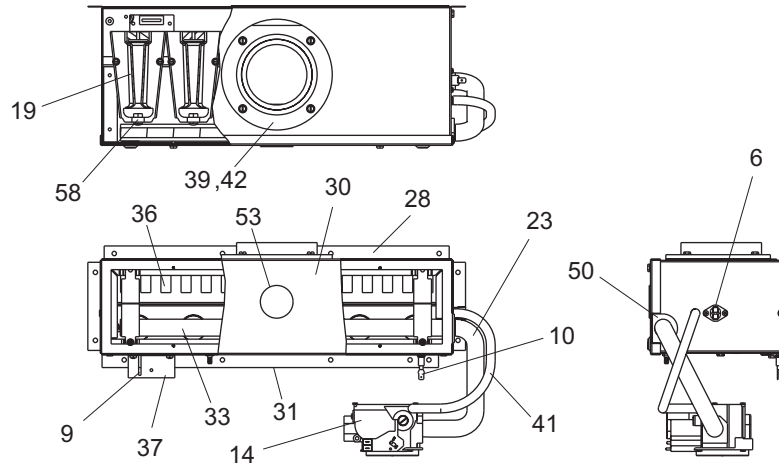


Figure 3: GAS CONTROLS

FIG	ITEM	DESCRIPTION	GF9S100C20UP11G	GF9S120D20UP11G	GF9S135D20UP11G
			(5 BURNER)	(6 BURNER)	(6 BURNER)
MISCELLANEOUS					
1	38	PLUG, WINDOW, CLEAR -1.5"	025-37005-000	025-37005-000	025-37005-000
3	39	CONNECTOR AIR INTAKE 2"	028-11289-000	028-11290-000	028-11290-000
1	40	TUBING, SILICONE (Gray, .188 ID, 2 ft. Req'd)	028-12499-000	028-12499-000	028-12499-000
1,3	41	TUBING, PPREFORMED	028-15170-000	028-15170-000	028-15170-000
3	42	GASKET, AIR INTAKE	028-12460-001	028-12460-002	028-12460-002
2	43	GASKET, COMBUSTION BLOWER	028-14767-000	028-14767-000	028-14767-000
2	44	GASKET, CONDENSATE PAN	028-14759-003	028-14759-004	028-14759-004
2	45	GASKET, UPPER CONDENSATE PAN	028-14774-000	028-14775-000	028-14775-000
2	46	GASKET, GAS CONTROLS	028-14772-105	028-14772-106	028-14772-106
2	47	GASKET (COND. COIL/LOWER PAN) (2 Req'd)	028-14760-003	028-14760-004	028-14760-004
	48				
*	49	GASKET, MOUNTING BRKT (Burner Box)	028-13256-000	028-13256-000	028-13256-000
3	50	GROMMET, MANIFOLD SEAL	028-12465-000	028-12465-000	028-12465-000
*	51	GROMMET, MOTOR (3 Req'd)	028-14740-000	028-14740-000	028-14740-000
*	52	GROMMET, 1/2" DIA.	025-30823-000	025-30823-000	025-30823-000
3	53	PLUG, WINDOW,CLEAR - 1.5"	025-37005-000	025-37005-000	025-37005-000
1	54	HANDLE, DOOR (2 Req'd)	028-14886-000	028-14886-000	028-14886-000
	55				
*	56	HARNESS, MAIN WIRING	373-19811-531	373-19811-531	373-19811-531
1	57	MOUNT, 1 PC. MOTOR	073-19831-001	073-19831-001	073-19831-001
3	58	ORIFICE, BURNER (Natural #45)	029-21182-045	029-21182-045	029-21182-045
		ORIFICE, BURNER (Natural #44)	---	---	029-21182-044
1	59	TRAP, CONDENSATE	028-14762-000	028-14762-000	028-14762-000
*	60	WIRING DIAGRAM	105210	035-17738-001	105210
1	61	DRAIN TUBE ASSEMBLY	028-15192-000	028-15192-000	028-15214-000
1	62	DRAIN TUBE, CONDENSATE TRAP	028-13309-004	028-13309-004	028-13309-004
1	63	DRAIN TUBE, COMBUSTION BLOWER	028-14764-000	028-14764-000	028-14764-000
1	64	DRAIN TUBE, CONDENSATE PAN	028-14763-000	028-14763-000	028-14763-000
1	65	ASSEMBLY, VENT PIPE	028-15191-000	028-15191-000	028-15213-000
*	66	LOCKNUT, CONDUIT (1/2")	025-32683-000	025-32683-000	025-32683-000
*	67	ADAPTER, INSERT	025-31808-000	025-31808-000	025-31808-000
*	68	BUSHING, THREADED	025-31807-000	025-31807-000	025-31807-000
*	69	WASHER, FLAT FIBERGLASS (2 Req'd)	028-14768-000	028-14768-000	028-14768-000
*	70	REDUCER, PVC	028-14769-000	028-14771-000	028-15215-000
*	71	FILTER ((.75 X 16 X 25)	026-35808-000	026-35808-000	026-35808-000
*	72	FILTER RACK	026-35809-000	026-35809-000	026-35809-000
*	73	LOGO/BEZEL PLATE	035-20061-001	035-20061-001	035-20061-001
1	74	TUBING, SILICONE (Gray, .188 ID, 1.25 ft. Req'd)	028-12499-000	028-12499-000	028-12499-000
1	75	FRAME, SIDE BASE (2 Req'd)	073-19811-085	073-19811-085	073-19811-085

NOTE: *Not Shown
 New replacement parts shown in **bold** face type at the first printing of parts list dated 5/07.
 Major components and suggested stocking items are shown with shaded item number.
 "<" Across from row indicates a change in that row.
 --- Not applicable to specified model.

NOTES

NOTES

This document Appends: 035-17739-001 Rev. H (0105).

TO ORDER AUTHORIZED FACTORY REPLACEMENT PARTS - Contact your Source1 HVAC Parts Distributor or visit our website at **www.Source1Parts.com** for a Distributor and Dealer listing.

Subject to change without notice. Printed in U.S.A.
Copyright © by York International Corp. 2007. All rights reserved.

035-20372-001 Rev. E (0507)
Supersedes: 035-20372-001 Rev. D (0205)

Unitary Products Group	5005 York Drive	Norman OK 73069
---------------------------------------	--------------------------------	--------------------------------