



www.Source1Parts.com

92% DOWNFLOW NATURAL GAS FURNACES MANUFACTURED HOUSING (STYLE L)

HVAC SERVICE PARTS

Supersedes: Nothing

035-21299-001 Rev. A (1206)

1 of 4

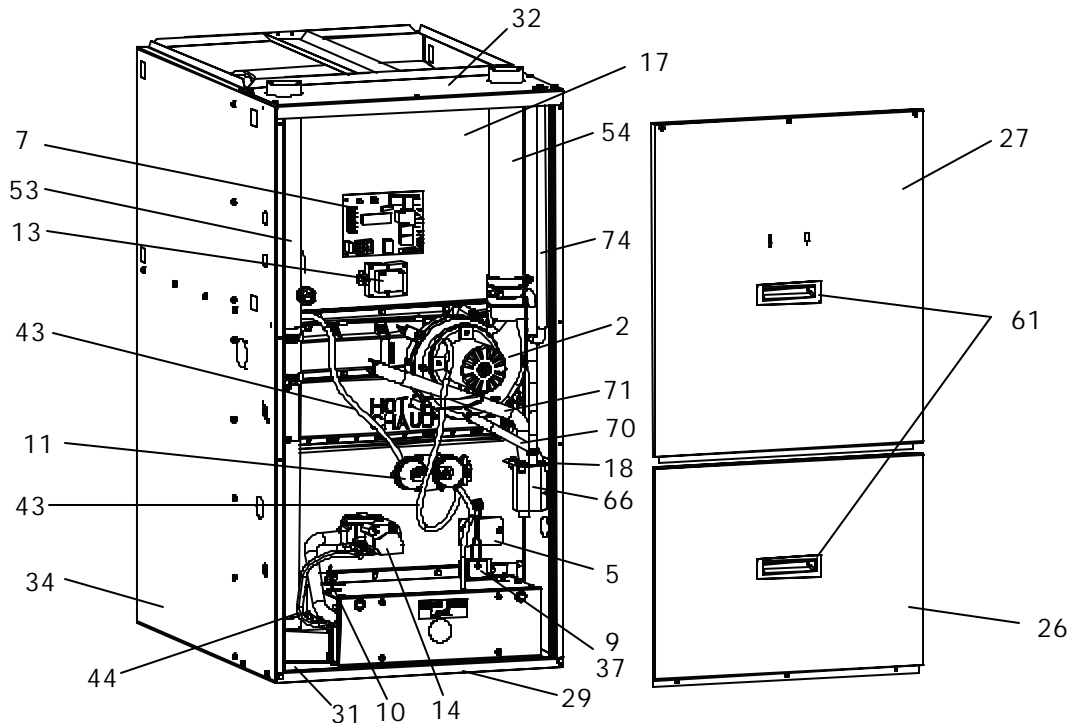


Figure 1: DOWNFLOW NATURAL GAS FURNACES (92%)

FIG	ITEM	DESCRIPTION	DGAD060CDL	DGAE080CDL	DGAF100CDL
			(3 BURNER)	(4 BURNER)	(5 BURNER)
MOTOR					
2	1	MOTOR, DIRECT DRIVE BLOWER	S1-02435647000	S1-02432055000	S1-02432056000
1,2	2	MOTOR, INDUCER ASS'Y	S1-02434558000	S1-02434558000	S1-02434558000
ELECTRICAL					
*	3	CAPACITOR, RUN (10MFD/370V)	S1-02420046000	S1-02420046000	---
		CAPACITOR, RUN (15MFD/370V)	---	---	S1-02420446000
2	4	SWITCH, LIMIT (INDUCER)	S1-02538737000	S1-02538737000	S1-02538737000
1,2	5	LIMIT, TEMPERATURE (Primary)	S1-02529041004	S1-02529041004	S1-02529041011
2,3	6	LIMIT, FLAME ROLL-OUT	S1-02527792001	S1-02527792001	S1-02527792001
1	7	CONTROL, FURNACE MODULE	S1-03109166000	S1-03109166000	S1-03109166000
*	8	SWITCH, ROCKER	S1-7681-3301	S1-7681-3301	S1-7681-3301
1,3	9	IGNITER	S1-02532625000	S1-02532625000	S1-02532625000
1,3	10	SENSOR, FLAME	S1-02537499000	S1-02537499000	S1-02537499000
1	11	SWITCH, PRESSURE	S1-02434612000	S1-02434561000	S1-02434562000
*	12	SWITCH, DOOR	S1-02427640000	S1-02427640000	S1-02427640000
1	13	TRANSFORMER	S1-02530889000	S1-02530889000	S1-02530889000
ALL	14	VALVE, GAS	S1-02538979000	S1-02538979000	S1-02538979000
AIR MOVING					
2	15	HOUSING, BLOWER	S1-37323724001	S1-37323746001	S1-37323747001
2	16	WHEEL, BLOWER	S1-02619654009	S1-02619654014	S1-02638510000

NOTE: *Not Shown

New replacement parts shown in **bold** face type at the first printing of parts list dated 12/06.

Major components and suggested stocking items are shown with shaded item number.

"<" Across from row indicates a change in that row.

--- Not applicable to specified model.

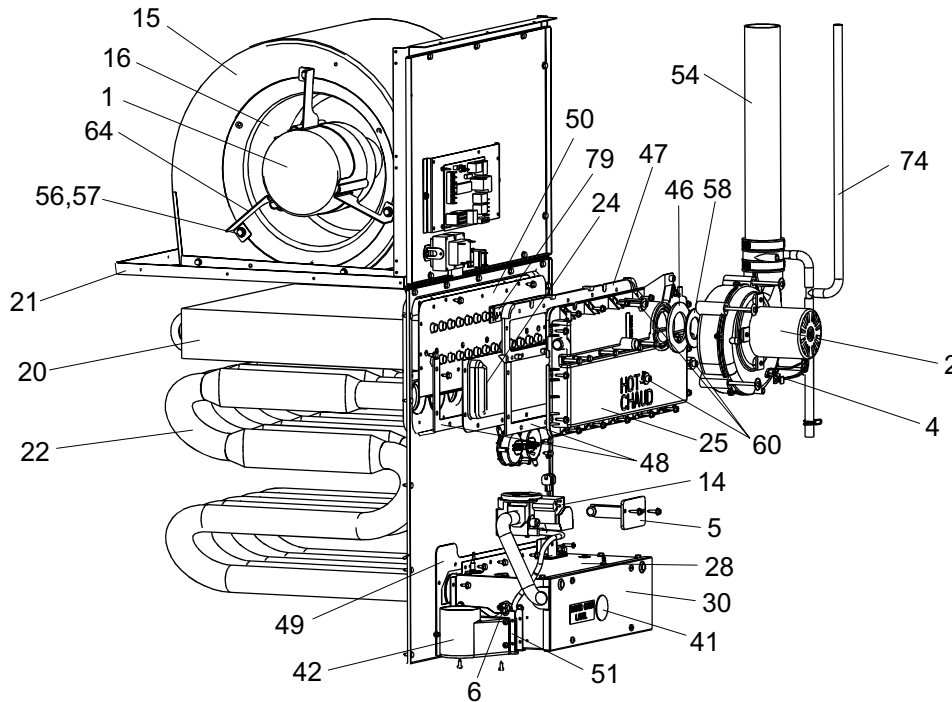


Figure 2: DOWNFLOW NATURAL GAS FURNACES (92%)

FIG	ITEM	DESCRIPTION	DGAD060CDL	DGAE080CDL	DGAF100CDL
			(3 BURNER)	(4 BURNER)	(5 BURNER)
FABRICATED PARTS					
1	17	PANEL, BLOWER COVER	S1-07319812370	S1-07319816370	S1-07319816370
1	18	BRACKET, CONDENSATE TRAP	S1-07319811001	S1-07319811001	S1-07319811001
3	19	BURNER, MAIN GAS	S1-02920482000	S1-02920482000	S1-02920482000
2	20	COIL, CONDENSING	S1-37319812801	S1-37319816801	S1-37319816801
2	21	SHELF, BLOWER	S1-07319812222	S1-07319816222	S1-07319816242
2	22	HEAT EXCHANGER ASS'Y	S1-37319812611	S1-37319816611	S1-37319816612
3	23	MANIFOLD, GAS	S1-02922253030	S1-02922253040	S1-02922253050
2	24	SHIELD, PAN	S1-07319812570	S1-07319816570	S1-07319816570
2	25	PAN, CONDENSATE	S1-02815151000	S1-02815152000	S1-02815152000
1	26	PANEL, LOWER ACCESS	S1-07319863032	S1-07319863033	S1-07319863033
1	27	PANEL, UPPER ACCESS	S1-07319812121	S1-07319816121	S1-07319816121
2,3	28	WRAPPER, BURNER BOX	S1-07319811730	S1-07319811740	S1-07319811750
1	29	CHANNEL, TOE PLATE	S1-07319863042	S1-07319863043	S1-07319863043
2,3	30	COVER, GAS CONTROL	S1-37322155002	S1-37322155003	S1-37322155004
1	31	PANEL, BOTTOM	S1-07319812170	S1-07319816170	S1-07319816170
1	32	PANEL, TOP	S1-07319863052	S1-07319863053	S1-07319863053
3	33	SUPPORT, BURNER	S1-07319811330	S1-07319811340	S1-07319811350
1	34	WRAPPER, CABINET	S1-37319863002	S1-37319863003	S1-37319863005
	35				
3	36	PLATE, DIFFUSER	S1-07319811023	S1-07319811024	S1-07319811025
1,3	37	BRACKET, IGNITER	S1-07317403000	S1-07317403000	S1-07317403000
*	38	BRACKET, DOOR SWITCH	S1-07319811380	S1-07319811380	S1-07319811380
*	39	BRACKET, DOOR	S1-07319863062	S1-07319863062	S1-07319863062
3	40	BOTTOM PANEL, BURNER BOX	S1-07319811130	S1-07319811140	S1-07319811150

NOTE: *Not Shown

New replacement parts shown in **bold** face type at the first printing of parts list dated 12/06

Major components and suggested stocking items are shown with shaded item number.

"<" Across from row indicates a change in that row.

--- Not applicable to specified model.

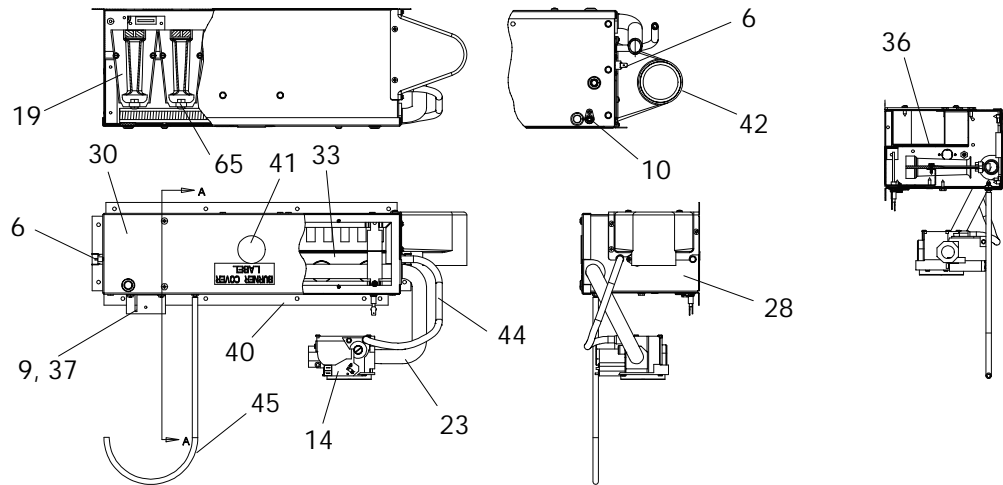


Figure 3: GAS CONTROLS (92%)

FIG	ITEM	DESCRIPTION	DGAD060CDL	DGAE080CDL	DGAF100CDL
			(3 BURNER)	(4 BURNER)	(5 BURNER)
MISCELLANEOUS					
2,3	41	PLUG, WINDOW, CLEAR - 1.5"	S1-02537005000	S1-02537005000	S1-02537005000
2,3	42	COMBUSTION AIR TRANSITION	S1-02815154000	S1-02815154000	S1-02815154000
1	43	TUBING, SILICONE (Gray, .188 ID, 2.83 ft. Req'd)	S1-02812499000	S1-02812499000	S1-02812499000
1,3	44	TUBING, SILICONE (Preformed)	S1-02815170000	S1-02815170000	S1-02815170000
3	45	TUBING, SILICONE (Gray, .188 ID, 1.25 ft. Req'd)	S1-02812499000	S1-02812499000	S1-02812499000
2	46	GASKET, COMBUSTION BLOWER	S1-02815177000	S1-02815177000	S1-02815177000
2	47	GASKET, CONDENSATE PAN	S1-02814759002	S1-02814759003	S1-02814759003
2	48	GASKET, UPPER CONDENSATE PAN (2 Req'd)	S1-02814773000	S1-02814774000	S1-02814774000
2	49	GASKET, GAS CONTROLS	S1-02815222000	S1-02815223000	S1-02815224000
2	50	GASKET, CONDENSING COIL	S1-02814760002	S1-02814760003	S1-02814760003
2	51	GASKET, COMBUSTION AIR TRANSITION	S1-02815155000	S1-02815155000	S1-02815155000
*	52	GASKET, MOUNTING BRKT (Burner Box)	S1-02813256000	S1-02813256000	S1-02813256000
1	53	COMBUSTION AIR INTAKE ASSEMBLY	S1-02815167000	S1-02815167000	S1-02815167000
1	54	VENT PIPE 2" X 15.25" LG.	S1-02815166000	S1-02815166000	S1-02815166000
*	55	RUBBER SLEEVE 2.5" X 4" LG.	S1-02815162000	S1-02815162000	S1-02815162000
2	56	GROMMET, MOTOR (3 Req'd)	S1-02814740000	S1-02814740000	S1-02814740000
2	57	FERRULE (3 Req'd)	S1-02320541000	S1-02320541000	S1-02320541000
2	58	COMBUSTION BLWR RESTRICTOR	S1-02815172000	S1-02815174000	---
*	59	SPRING, DOOR	S1-02922119000	S1-02922119000	S1-02922119000
2	60	WASHER, FLAT FIBERGLASS (2 Req'd)	S1-02814768000	S1-02814768000	S1-02814768000
1	61	HANDLE, DOOR (3 Req'd)	S1-02814886000	S1-02814886000	S1-02814886000
*	62	CLAMP, HOSE (2 Req'd)	S1-02118390000	S1-02118390000	S1-02118390000
*	63	HARNNESS, MAIN WIRING	S1-02540969000	S1-02540969000	S1-02540969000
2	64	MOUNT, 1 PC. MOTOR	S1-07319831001	S1-07319831001	S1-07319831001
3	65	ORIFICE, BURNER (Natural #45)	S1-02921182045	S1-02921182045	S1-02921182045
		ORIFICE, BURNER (LP #55)	S1-02921182055	S1-02921182055	S1-02921182055
1	66	TRAP, CONDENSATE	S1-02814762000	S1-02814762000	S1-02814762000
*	67	WIRING DIAGRAM	035-19941-001	035-19941-001	035-19941-001
*	68	45 DEG STREET ELBOW 2"	S1-02815161000	S1-02815161000	S1-02815161000
*	69	DRAIN TUBE, CONDENSATE TRAP	S1-02813309004	S1-02813309004	S1-02813309004
1	70	DRAIN TUBE, COMBUSTION BLOWER	S1-02815168000	S1-02815168000	S1-02815168000
1	71	DRAIN TUBE, CONDENSATE PAN	S1-02815156000	S1-02815156000	S1-02815156000
*	72	DRAIN TUBE, STRAIGHT 21" LG.	S1-02815169001	S1-02815169001	S1-02815169001
*	73	DRAIN TUBE, RAIN GUTTER	S1-02815171000	S1-02815171000	S1-02815171000
1	74	DRAIN HOSE ASSEMBLY	S1-02815176000	S1-02815176000	S1-02815176000
*	75	LOCKNUT, CONDUIT (1/2")	S1-02532683000	S1-02532683000	S1-02532683000
*	76	ADAPTER, INSERT	S1-02531808000	S1-02531808000	S1-02531808000
*	77	BUSHING, THREADED	S1-02531807000	S1-02531807000	S1-02531807000
*	78	DRAIN TUBE, VENT PIPE	S1-02815158000	S1-02815158000	S1-02815158000
*	79	TUBE, RESTRICTOR	S1-02815206000	S1-02815206000	S1-02815206000
*	80	GROMMET, MANIFOLD	S1-02812465000	S1-02812465000	S1-02812465000
*	81	VENT PIPE ASSEMBLY	S1-02815159000	S1-02815159000	S1-02815159000
*	82	DRAIN TUBE, VENT PIPE	S1-02815158000	S1-02815158000	S1-02815158000
*	83	LOGO/BEZEL PLATE ASSEMBLY	S1-37323701001	S1-37323701001	S1-37323701001

NOTE: *Not Shown

New replacement parts shown in **bold** face type at the first printing of parts list dated 12/06.

Major components and suggested stocking items are shown with shaded item number.

"<" Across from row indicates a change in that row.

--- Not applicable to specified model.

NOTES

TO ORDER AUTHORIZED FACTORY REPLACEMENT PARTS - Contact your Source1 HVAC Parts Distributor or visit our website at **www.Source1Parts.com** for a Distributor and Dealer listing.

Subject to change without notice. Printed in U.S.A.
Copyright © by York International Corp. 2006 All rights reserved.

035-21299-001 Rev. A (1206)
Supersedes: Nothing

Unitary Products Group	5005 York Drive	Norman OK 73069
---------------------------------------	--------------------------------	--------------------------------