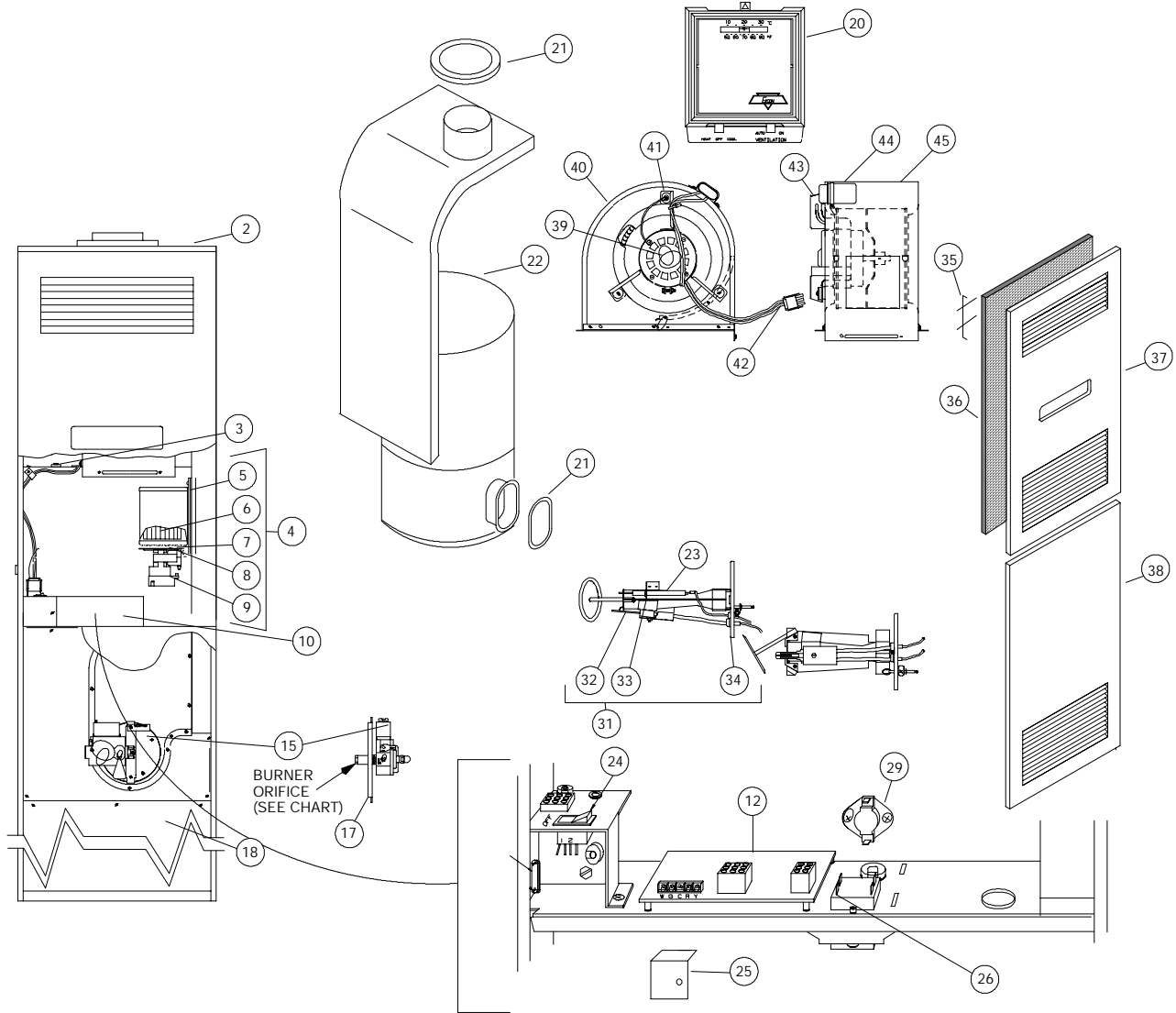


DGAM, DGAT & DLAS SERIES HSI Gas Downflow Furnace

Repair Parts List for:

DGAM056BDD	DGAT056BDD	DLAS056BDD	DGAT070BDD	DGAM075BDD	DGAT075BDD	DLAS075BDD	DGAT090BDD
------------	------------	------------	------------	------------	------------	------------	------------



CODE	USED ON MODEL	NO. REQ.	PART NUMBER	DESCRIPTION	VENDOR
—	ALL	X	8B246P 8B2471	Enamel (Spray 15 oz. Almond) Enamel (Spray 15 oz. White)	
2	ALL	1	7945A5721	Casing Top	
*	ALL	1	7990-3591B	Limit Switch (Upper) (180° Automatic Reset)	
4	ALL	1	7990-6451	Booster Assembly (Includes Code 5 - 9)	
5	ALL	1	7995A386	Booster Gasket	
6	ALL	1	2900-3601	Impellor (3 13/16 x 1 7/8 x 1/4)	
7	ALL	1	2900-147	Mount Plate (Booster Motor)	
8	ALL	1	7990-300	Motor Mount Plate Gasket	
*	ALL	1	7990-317P	Booster Motor - 3000 RPM	Fasco #7102-2187
10	ALL	1	7945-1351/B	Cover (Control Box)	
*	056,070 075,090	1	7956-319P 7990-319P	Integrated Control Integrated Control	
*	ALL	1	7990-326PBB	Gas Valve (24V .5 Amp 1/2" x 3/8")	RS #7C5-C7F-026
16	--	-	-----	-----	

B NOTE: The 7624A3591 (180° Manual Reset) is a designed approved alternate for this limit switch.

BB NOTE: The 7707-326P is a designed approved alternate for this valve.

DGAM, DGAT, & DLAS SERIES HSI GAS DOWN FLOW FURNACE

CODE	USED ON MODEL	NO. REQ.	PART NUMBER	DESCRIPTION	VENDOR	
17	ALL	1	7945-5151/C	Valve Bracket		
18	DGAM,DGAT	1	7956A5201	Panel (Coil Cavity 19 13/16"		
19	---	-	-----	-----		
* 20	ALL	1	7670-368P/A	Thermostat (Adj. Ant.)	RS	#65A-943-462
21	ALL	1	7945-3011	Gasket Pkg. (Heat Exchanger)		
22	ALL	1	7995-5751	Heat Exchanger (with Gaskets)		
* 23	ALL	1	7975-3881	Remote Sensor		
24	ALL	1	7681-3301	System Switch	Carling	#RC901-RB
25	ALL	1	7956-1121	Junction Box Cover		
* 26	ALL	1	2940A3541	Transformer (115-24V 40VA)		
* 29	056	1	7945-3281	Limit Switch (OPEN-140° CLOSE-110°)		
	070,075		7970-3281	Limit Switch (OPEN-145° CLOSE-115°)		
	090		7995-3381	Limit Switch (OPEN-150_ CLOSE-120_)		
31	ALL	1	7970-5851/A	Burner Assembly (Less Gas Valve - Includes Codes 32, 33, 34)		
* 32	ALL	1	1474-0521	Hot Surface Ignitor	Norton	#201N(W)
33	ALL	1	7970-179	Ignitor Shield		
34	ALL	1	7945-1631/A	Mounting Plate (Burner)		
35	ALL		7670-3451	Filter Retainer (Pk'd. 2) - S/N 960623003 & Below		
* 36	ALL	1	7660-3401	Filter (19 3/8 x 35 3/4 x 1/4) - S/N 960623003 & Below		
	ALL	1	1214-2511	Filter (16 x 20 x 1) - S/N 960623004 & Above		
37	DGAM	1	7975-1561/A	Panel (Upper)(Almond)		
	DGAM	1	7975-1561/B	Panel (Upper)(White) - S/N 960623004 & Above		
	DLAS, DGAT	1	7990-1561	Panel (Upper)(Almond)		
	DLAS, DGAT	1	7990-1561/A	Panel (Upper)(White) - S/N 960623004 & Above		
38	DGAM,DGAT	1	7956-1571	Panel (Lower)(Almond)		
	DGAM,DGAT	1	7956-1571/A	Panel (Lower)(White) - S/N 960623004 & Above		
	DLAS	1	7956-1631	Panel (Lower)(Almond)		
	DLAS	1	7956-1631/A	Panel (Lower)(White) - S/N 960623004 & Above		

BLOWER PARTS

* 39	DGAM	1	1468-220P	Motor		
	DGAT, DLAS (057, 070, 075)	1	7966-311P	Motor		
	090	1	1468-212P	Motor		
40	All	1	7966A530	Scroll		
41	All	1	2702-4091	Motor Mount(3/Pkg.)		
42	All	1	7680-348	Connector Plug		
43	All	1	7670-6391	Motor Clamp		
* 44	090	1	1499-4461	Run Capacitor		
	DGAM	1	1499-4471	Run Capacitor		
45	All	1	1472-2751	Blower Wheel (10 5/8 Dia. x 7 1/8 x 1/2)	TORIN LAU MORR	#CM1020-704-5 #027855-10 #03-42001-0

BURNER ORIFICE CHART

MODEL	056	070	075	090
Nat.	9951-1281	9951-1491	9951-1541	9951-1771
LP	9951-0821	9951-0931	9951-0961	9951-1041

NOTE: All parts with three digit suffix numbers are "Special Order" Parts. These parts are subject to factory availability and require extra time for delivery.

* Suggested Parts Inventory (2% of Units Installed - Minimum 1 each)

Evcon Industries, Inc.

3110 North Mead
P.O. Box 19014
Wichita, KS 67204-9014

Page 2