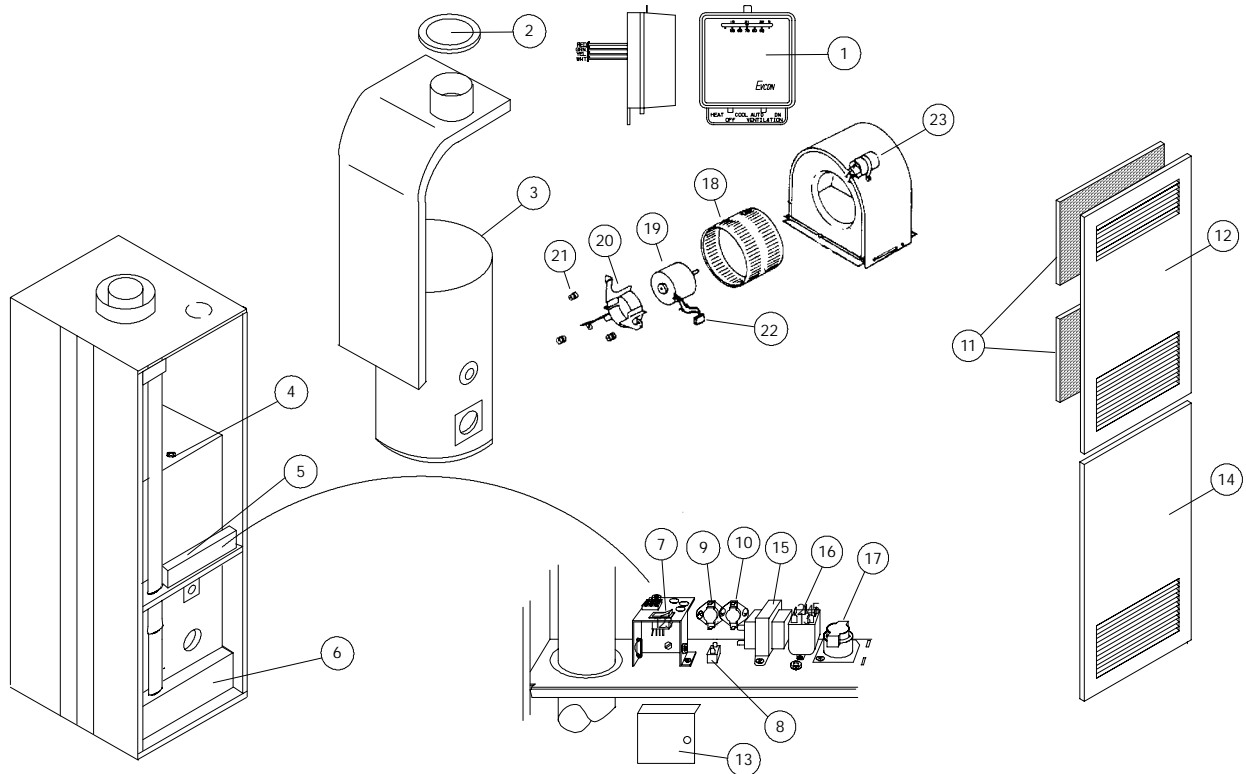


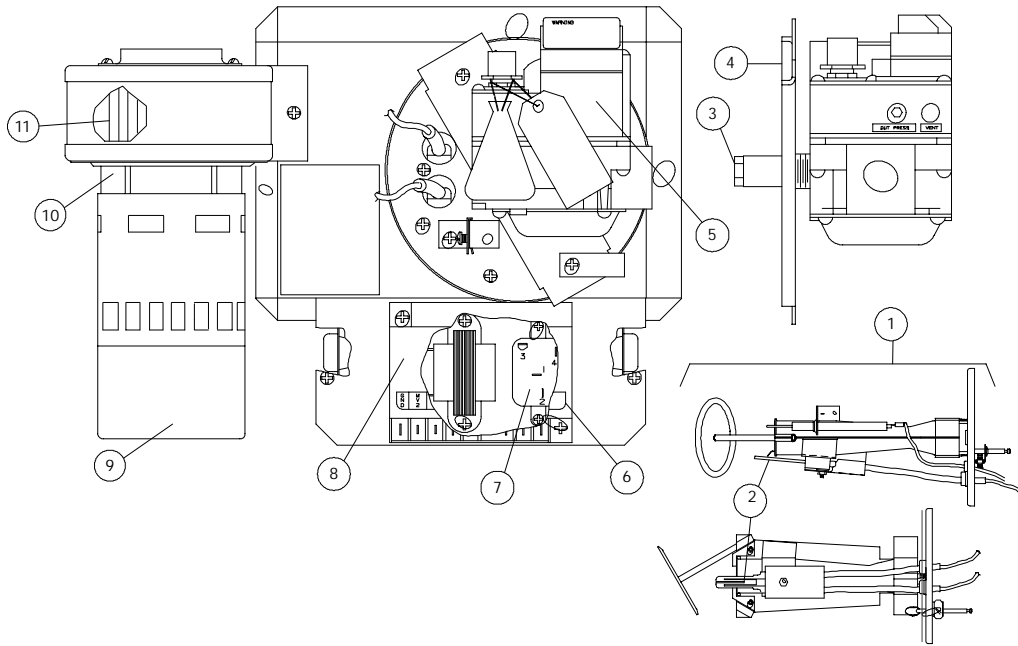
# COAS, COAT & CGAT SERIES OIL GUN FURNACE

|                               |                                  |                                  |                                  |
|-------------------------------|----------------------------------|----------------------------------|----------------------------------|
| <b>Repair Parts List for:</b> | <b>COAT066BDD<br/>COAT084BDD</b> | <b>COAS066BDD<br/>COAS084BDD</b> | <b>CGAT066BDD<br/>CGAT084BDD</b> |
|-------------------------------|----------------------------------|----------------------------------|----------------------------------|



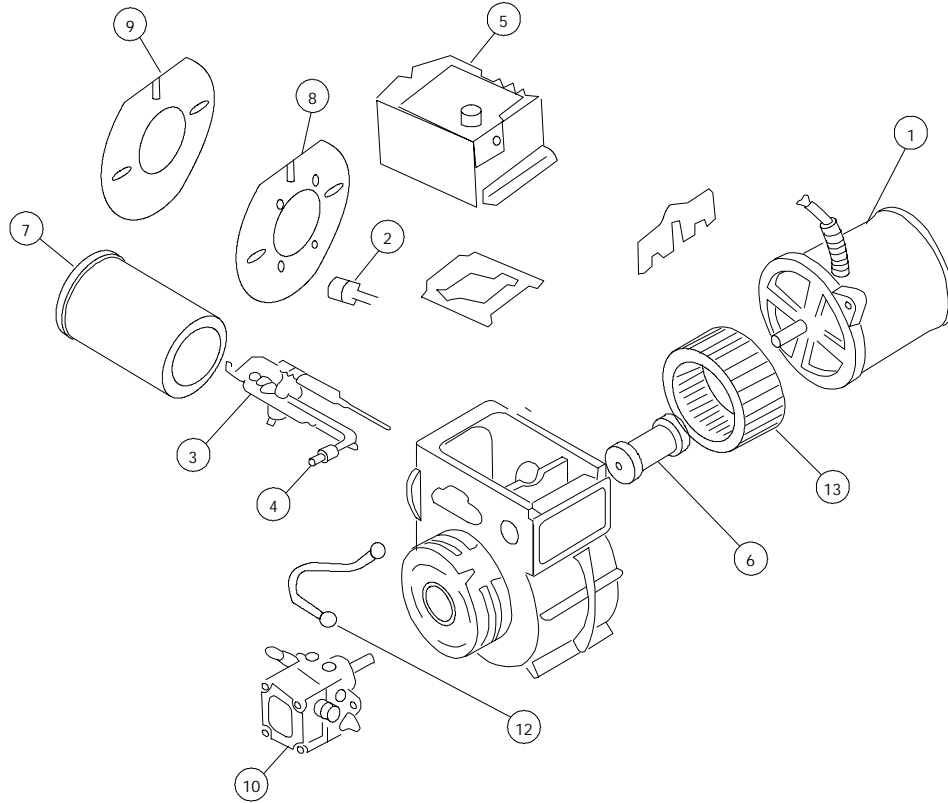
| CODE | USED ON MODEL | NO. REQ. | PART NUMBER                | DESCRIPTION  |
|------|---------------|----------|----------------------------|--|
| 1    | All           | 1        | 7670-368P                  | Thermostat (Adj. Ant.)                                 |
| 2    | All           | 1        | 7945-3011                  | Gasket Pkg. (Heat Exchanger)                           |
| 3    | All           | 1        | 4048A5751                  | Heat Exchanger (with Gaskets)                          |
| 4    | All           | 1        | 7624A3591                  | Limit Switch (Upper - Open 180° - Manual Reset)        |
| 5    | All           | 1        | 7945-1351/B                | Cover (Control Box)                                    |
| 6    | COAT, CGAT    | 1        | 7956A5201                  | Panel (Coil Cavity 19- <sup>13</sup> / <sub>16</sub> " |
| 7    | All           | 1        | 7681-3301                  | Switch (On-Off)  |
| 8    | All           | 1        | 4084-3101                  | Receptacle (Polarized)                                 |
| 9    | All           | 1        | 7975-3281                  | Fan Switch (C-110°- 0-85°)                             |
| 10   | All           | 1        | 7995-3281                  | Limit Switch (Lower Open-150° Close-120°)              |
| 11   | All           | 2        | 1214-2511                  | Filter (16 x 20)                                       |
| 12   | All           | 1        | 7990-1561/A                | Panel (Upper)(White)                                   |
| 13   | All           | 1        | 7656-1121                  | Cover (Junction Box)                                   |
| 14   | COAT, CGAT    | 1        | 7956-1571/A                | Panel (Lower)(White)                                   |
|      | COAS          | 1        | 7956-1631/A                | Panel (Lower)(White)                                   |
| 15   | COAT, CGAT    | 1        | 2940A3541                  | Transformer (115 - 24V 40VA)                           |
| 16   | COAT, CGAT    | 1        | 7975-3771                  | Blower Relay   |
| 17   | COAT, CGAT    | 1        | 3110-3541                  | Sequencer  |
| 18   | All           | 1        | 1472-2751                  | Blower Wheel (10 5/8 Dia. x 7 1/8 x 1/2)               |
| 19   | 066           | 1        | 7966-311P                  | Motor (1/6 HP- 1100 RPM-8.2A)                          |
|      | 084           | 1        | 1468-212P                  | Motor (1/4 HP 1050 RPM-10.0A)                          |
| 20   | All           | 1        | 7670-6391                  | Motor Clamp  |
| 21   | All           | 1        | 7670-3551                  | Motor Mount (3 Per Pkg.)                               |
| 22   | All           | 1        | 7966-4501                  | Plug & Wire Kit  |
| 23   | 084           | 1        | 1499-4461 (7.5 MFD. 370V.) | Run Capacitor  |

## 4066-6601/D & 4084-6601/D SERIES GAS GUN BURNERS



| Code | Used on Model | PART NUMBER                                      | DESCRIPTION  |
|------|---------------|--|--|
| 1    | All           | 7970-5851/A                                      | Burner Assembly. (Less Gas Valve)  |
| 2    | All           | 1474-0521  | Hot Surface Ignitor  |
| 3    | All           | 4066-3721  | Gasket (Burner Mounting)   |
| 4    | 4066<br>4084  | 9951-1521<br>9951-0931<br>9951-1691<br>9951-1011 | Burner Orifice (.152 Dia. - Nat.)<br>Burner Orifice (.093 Dia. - L.P.)<br>Burner Orifice (.169 Dia. - Nat.)<br>Burner Orifice (.101 Dia. - L.P.) |
| 5    | All           | 7945-5151/C                                      | Valve Bracket  |
| 6    | All           | 7990-328P  | Gas Valve (24V. .23 Amp. $\frac{1}{2}$ " x $\frac{3}{8}$ ")  |
| 7    | All           | 1474-0061/A                                      | Ignition Module (24V. 100MA. 50/60 Hz.)  |
| 8    | All           | 8665-5701  | Relay (Booster - 8665-309)   |
| 9    | All           | 7945-3551  | Transformer (115/24 V. 15 VA.)   |
| 11   | All           | 7995-3169  | Motor (115V. .48A. 3000 RPM)   |
| 13   | All           | 8865B1281  | Motor Mount (Rubber 4/Pkg.)  |
| 15   | All           | 8865-3611  | Impellor ( $3-\frac{13}{16}$ x $1-\frac{7}{8}$ x $\frac{5}{16}$ Bore)  |

# 4066-3871 & 4084-3871 SERIES OIL GUN FURNACE



| Code | Used on Model | PART NUMBER            | DESCRIPTION   |
|------|---------------|------------------------|---|
| 1    | All           | 024-24698-700          | Burner Motor  |
| 2    | All           | 225-26967-000          | Cadmium Cell  |
| 3    | All           | 026-33069-700          | Electrodes  |
| 4    |               | 026-30267-000          | Nozzle Assembly   |
| 5    | All           | 026-30257-000          | Ignition Transformer  |
| 6    | All           | 026-33072-700          | Coupling  |
| 7    | All           | 026-30262-000          | Retention Head  |
| 8    | All           | 026-30265-000          | Burner Flange   |
| 9    | All           | 026-30266-000          | Flange Gasket   |
| 10   |               | 026-33074-700          | Single Stage Pump   |
| 11   | --            | -----                  | -----   |
| 12   |               | 026-30273-000          | Oil Tube  |
| 13   | All           | 026-33071-000          | Blower Wheel  |
| 14   | 4066<br>4084  | 4066-3251<br>8880-4241 | .50 GPH - 80° Hollow Cone Nozzle<br>.65 GPH - 80° Solid Cone Nozzle |
| 15   | All           | 025-31757-000          | Primary Control   |

Subject to change without notice. Printed in U.S.A.  
Copyright © by Unitary Products Group 1998. All rights reserved.

R-608/D(9/98)

---

Unitary  
Products  
Group

Post Office  
Box 19014

Wichita  
Ks.  
67204

#16 Catalog