

This Repair Parts list is made available for YPAL units built for Unitary Products / Johnson Controls.

Full model numbers must be used to identify Unitary Products YPAL units.

Per nomenclature on page two of this document, Unitary Products unit model numbers will:

Start with YPAL 050, 051, 060, or 061,

Always have the 15th character as "F",

End with "FS" or "FX".

Use of this repair parts list for other YPAL model numbers may result in incorrect repair part identification.

Please contact Baltimore Parts for all other repair part requests for YPAL units.

Phone: 800.932.1701

Web:

http://www.johnsoncontrols.com/publish/us/en/products/building_efficiency/integrated_hvac_systems/parts_center/baltimorepartscenter.html



BY JOHNSON CONTROLS

RENEWAL PARTS

PACKAGED ROOFTOP AIR CONDITIONING UNITS

Supersedes 100.50-RP8 (1109)

Form 100.50-RP8 (510)



YPAL 050

YPAL 051

YPAL 060

YPAL 061

DESIGN LEVEL F



LD13271



ALLY

CHANGEABILITY OF THIS DOCUMENT

In complying with Johnson Controls policy for continuous product improvement, the information contained in this document is subject to change without notice. While Johnson Controls makes no commitment to update or provide current information automatically to the manual owner, that information, if applicable, can be obtained by contacting the nearest Johnson Controls Applied Systems office.

It is the responsibility of operating/service personnel to verify the applicability of these documents to the equipment in question. If there is any question in the mind of operating/service personnel as to the applicability of these documents, then prior to working on the equipment, they should verify with the owner whether the equipment has been modified and if current literature is available.

NOMENCLATURE

BASE MODEL NUMBER

<p>1 BASE</p> <p>2 PRODUCT</p> <p>3 TYPE</p> <p>4 TYPE</p> <p>Y : YORK</p>	<p>5 NOMINAL</p> <p>6 CAPACITY</p> <p>7 CAPACITY</p> <p>0 7 0 : 70-ton 0 7 5 : 75-ton 0 8 0 : 80-ton 0 8 5 : 85-ton 0 9 0 : 90-ton 0 9 5 : 95-ton 1 0 5 : 105-ton</p>	<p>8 APPLICATION</p> <p>9 APPLICATION</p> <p>C : Constant Volume V : VAV, VFD F : FlexSys</p> <p>C : Cooling Only N : Natural Gas Heat G : Natural Gas Heat SS HX M : Modulating Gas Heat E : Electric Heat S : Steam Heat H : Hot Water Heat</p>	<p>10 REFRIGERANT</p> <p>E : R-410A</p>	<p>11 VOLTAGE</p> <p>12 VOLTAGE</p> <p>1 7 : 200 / 3 / 60 2 8 : 230 / 3 / 60 4 6 : 460 / 3 / 60 4 5 : 400 / 3 / 50 5 8 : 575 / 3 / 60 4 0 : 380 / 3 / 60</p>	<p>13 DUCT LOCATIONS</p> <p>14 DUCT LOCATIONS</p> <p>B : Bottom Return R : Rear Return S : Side Return</p> <p>B : Bottom Supply L : Left Supply R : Right Supply</p>	<p>15 DESIGN SPECIAL</p> <p>16 DESIGN SPECIAL</p> <p>X : Std. Product S : Special</p> <p>F</p>
--	--	---	--	--	--	--

WARNING
HIGH VOLTAGE
is used in the operation of this equipment.
DEATH or SERIOUS INJURY
may result if personnel fail to observe safety precautions.

Work on electronic equipment should **NOT** be undertaken unless the individual(s) has (have) been trained in the proper maintenance of the equipment and is (are) familiar with it's potential hazards.

Shut off the power supply to the equipment before beginning work and follow lockout procedures. When working inside equipment with the power "OFF", take care of discharge every capacitor is likely to hold dangerous potential.

Be careful not to contact high voltage connections when installing or operating this equipment.

LOW VOLTAGE

DO NOT be misled by the term "low voltage". Voltages as low as 50 volts may cause death.

LIST OF TABLES

TABLE 1 - POST AND FIXED PANELS	10
TABLE 2 - DOORS AND PANELS	11
TABLE 3 - DOOR LATCH.....	12
TABLE 4 - STANDARD ROOF ASSEMBLY	13
TABLE 5 - EXTERNAL CABINET ROOF ASSEMBLY	15
TABLE 6 - EXTENDED CABINET POSTS AND FIXED PANELS	17
TABLE 7 - EXTENDED CABINET PANELS.....	18
TABLE 8 - EXHAUST FAN MOTOR MOUNTING PLATE.....	19
TABLE 9 - EXHAUST FAN BLOWER ASSEMBLIES	19
TABLE 10 - RETURN FAN MOTORS.....	19
TABLE 11 - EXHAUST FAN WITH 1 INCH ISOLATOR SPRINGS.....	21
TABLE 12 - EXHAUST FAN WITH 2 INCH ISOLATOR SPRINGS.....	21
TABLE 13 - EXHAUST FAN WITH RUBBER ISOLATORS.....	22
TABLE 14 - EXHAUST FAN DRIVES.....	23
TABLE 15 - EXHAUST HOOD PARTS.....	27
TABLE 16 - BAROMETRIC EXHAUST DAMPER	27
TABLE 17 - MOTOR DRIVEN EXHAUST DAMPER.....	27
TABLE 18 - RETURN FAN WITH 1 INCH ISOLATOR SPRINGS.....	28
TABLE 19 - RETURN FAN WITH 2 INCH ISOLATOR SPRINGS.....	28
TABLE 20 - RETURN FAN MOTORS.....	29
TABLE 21 - RETURN FAN BLOWER ASSEMBLIES	29
TABLE 22 - RETURN FAN MOTOR MOUNTING PLATE.....	30
TABLE 23 - RETURN FAN DRIVES	31
TABLE 24 - OUTDOOR/RETURN DAMPER ASSEMBLY	35
TABLE 25 - ECONOMIZER END HOOD.....	37
TABLE 26 - ECONOMIZER SIDE HOOD	38
TABLE 27 - AIR MEASURING STATION	39
TABLE 28 - FILTER ASSEMBLY 2 INCH THROWAWAY	40
TABLE 29 - FILTER ASSEMBLY 2 INCH CLEANABLE.....	40
TABLE 30 - FILTER ASSEMBLY 2 INCH 30%.....	40
TABLE 31 - FILTER ASSEMBLY 2 INCH CARBON	40
TABLE 32 - RIGID FILTER ASSEMBLY 12 INCH.....	42
TABLE 33 - RIGID FILTER ASSEMBLY 12 INCH 65% 30% PREFILTER.....	42
TABLE 34 - RIGID FILTER ASSEMBLY 12 INCH 95% 30% PREFILTER.....	42
TABLE 35 - EVAPORATOR COIL ASSEMBLIES	44
TABLE 36 - EVAPORATOR COIL	44
TABLE 37 - REPLACEMENT SUCTION HEADERS	44
TABLE 38 - REPLACEMENT SUCTION HEADERS	45
TABLE 39 - SUPPLY FAN BLOWER ASSEMBLIES	47
TABLE 40 - SUPPLY FAN MOTOR MOUNTING PLATE.....	47
TABLE 41 - SUPPLY FAN MOTORS.....	48
TABLE 42 - AF SUPPLY FAN WITH 1 INCH ISOLATOR SPRINGS	49
TABLE 43 - FC SUPPLY FAN WITH 1 INCH ISOLATOR SPRINGS	49
TABLE 44 - AF SUPPLY FAN WITH 2 INCH ISOLATOR SPRINGS	50
TABLE 45 - FC SUPPLY FAN WITH 2 INCH ISOLATOR SPRINGS	51
TABLE 46 - SUPPLY FAN DRIVES FORWARD CURVE CLASS 1.....	52
TABLE 47 - SUPPLY FAN DRIVES FORWARD CURVE CLASS 2.....	53
TABLE 48 - SUPPLY FAN DRIVES AIRFOIL CLASS 2.....	55

LIST OF TABLES (CONT'D)

TABLE 49 - FLEXSYS BY-PASS DAMPER	59
TABLE 50 - SUPPLY FAN VFD	60
TABLE 51 - SUPPLY FAN VFD BYPASS.....	60
TABLE 52 - CONDENSER FAN VFD	60
TABLE 53 - EXHAUST FAN VFD	61
TABLE 54 - EXHAUST FAN VFD BYPASS	61
TABLE 55 - RETURN FAN VFD	61
TABLE 56 - RETURN FAN OVERLOAD PANEL	61
TABLE 57 - SUPPLY FAN VFD BYPASS KIT PART NUMBER 371-05198-002	63
TABLE 58 - SUPPLY FAN VFD BYPASS KIT PART NUMBER 371-05198-003	63
TABLE 59 - SUPPLY FAN VFD BYPASS KIT PART NUMBER 371-05198-004	63
TABLE 60 - SUPPLY FAN VFD BYPASS KIT PART NUMBER 371-05198-005	63
TABLE 61 - SUPPLY FAN VFD BYPASS KIT PART NUMBER 371-05198-006	64
TABLE 62 - SUPPLY FAN VFD BYPASS KIT PART NUMBER 371-05198-007	64
TABLE 63 - SUPPLY FAN VFD BYPASS KIT PART NUMBER 371-05198-008	64
TABLE 64 - SUPPLY FAN VFD BYPASS KIT PART NUMBER 371-05198-009	64
TABLE 65 - EXHAUST FAN VFD BYPASS KIT PART NUMBER 371-05199-001	65
TABLE 66 - EXHAUST FAN VFD BYPASS KIT PART NUMBER 371-05199-002.....	65
TABLE 67 - EXHAUST FAN VFD BYPASS KIT PART NUMBER 371-05199-003.....	65
TABLE 68 - EXHAUST FAN VFD BYPASS KIT PART NUMBER 371-05199-004.....	65
TABLE 69 - EXHAUST FAN VFD BYPASS KIT PART NUMBER 371-05199-005.....	66
TABLE 70 - EXHAUST FAN VFD BYPASS KIT PART NUMBER 371-05199-006.....	66
TABLE 71 - EXHAUST FAN VFD BYPASS KIT PART NUMBER 371-05199-007.....	66
TABLE 72 - EXHAUST FAN VFD BYPASS KIT PART NUMBER 371-05199-008.....	66
TABLE 73 - VFD BYPASS KIT PART NUMBER 371-05198-010	68
TABLE 74 - RETURN FAN OVERLOAD PANEL 371-05515-001.....	69
TABLE 75 - RETURN FAN OVERLOAD PANEL 371-05515-002.....	69
TABLE 76 - RETURN FAN OVERLOAD PANEL 371-05515-003.....	69
TABLE 77 - RETURN FAN OVERLOAD PANEL 371-05515-004.....	69
TABLE 78 - RETURN FAN OVERLOAD PANEL 371-05515-005.....	69
TABLE 79 - RETURN FAN OVERLOAD PANEL 371-05515-006.....	69
TABLE 80 - MAIN CONTROL BOX.....	71
TABLE 81 - FAN PANEL / CONSTANT VOLUME SUPPLY FAN	83
TABLE 82 - FAN PANEL / CONSTANT VOLUME EXHAUST FAN	84
TABLE 83 - FAN PANEL / RETURN FAN WITH VFD	85
TABLE 84 - FAN PANEL / EXHAUST FAN WITH VFD.....	86
TABLE 85 - FAN PANEL / SUPPLY FAN WITH VFD	87
TABLE 86 - HINGED DISPLAY PANEL.....	90
TABLE 87 - IPU CONTROL PANEL	91
TABLE 88 - SIMPLICITY CONTROL PANEL.....	92
TABLE 89 - SINGLE AND DUAL POINT TERMINAL CONNECTIONS	93
TABLE 90 - SINGLE POINT DISCONNECT SWITCH	94
TABLE 91 - GAS HEAT TRANSFORMER KITS	95
TABLE 92 - CONVENIENCE OUTLET KITS.....	95
TABLE 93 - INTERNAL LIGHT KIT	97
TABLE 94 - STAGED HEAT EXCHANGER ASSEMBLY.....	98
TABLE 95 - STAGED GAS HEAT CONTROL, 375 MBH.....	99

LIST OF TABLES (CONT'D)

TABLE 96 - MODULATING HEAT EXCHANGER ASSEMBLY	100
TABLE 97 - MODULATING GAS HEAT CONTROLS	101
TABLE 98 - STAGED GAS HEAT CONTROL 750 OR 1125 MBH SECTION	102
TABLE 99 - GAS HEAT CHIMNEY	103
TABLE 100 - ELECTRIC HEAT ELEMENTS	104
TABLE 101 - HOT WATER COIL	105
TABLE 102 - STEAM COIL	105
TABLE 103 - EXTENDED CABINET FILTER RACK	106
TABLE 104 - EXTENDED CABINET HOT WATER / STEAM COILS	108
TABLE 105 - EXTENDED CABINET DIFFUSER ASSEMBLY	109
TABLE 106 - CONDENSER COIL ASSEMBLIES	110
TABLE 107 - COMPRESSOR ASSEMBLIES	112
TABLE 108 - REFRIGERANT PIPING ASSEMBLIES	114
TABLE 109 - CONDENSER FAN ASSEMBLY	118
TABLE 110 - CONDENSER PANELS	119
TABLE 111 - TRANSDUCERS AND SENSORS	120

CONTENT INDEX

DESCRIPTION	TABLE	PG
AF SUPPLY FAN WITH 1 INCH ISOLATOR SPRINGS	42	49
AF SUPPLY FAN WITH 2 INCH ISOLATOR SPRINGS	44	50
AIR MEASURING STATION	27	39
BAROMETRIC EXHAUST DAMPER	16	27
COMPRESSOR ASSEMBLIES	107	112
CONDENSER COIL ASSEMBLIES	106	110
CONDENSER FAN ASSEMBLY	109	118
CONDENSER FAN VFD	52	60
CONDENSER PANELS	110	119
CONVENIENCE OUTLET KITS	92	95
DOOR LATCH	3	12
DOORS AND PANELS	2	11
ECONOMIZER END HOOD	25	37
ECONOMIZER SIDE HOOD	26	38
ELECTRIC HEAT ELEMENTS	100	104
EVAPORATOR COIL	36	44
EVAPORATOR COIL ASSEMBLIES	35	44
EXHAUST FAN BLOWER ASSEMBLIES	9	19
EXHAUST FAN DRIVES	14	23
EXHAUST FAN MOTOR MOUNTING PLATE	8	19
EXHAUST FAN VFD	53	61
EXHAUST FAN VFD BYPASS	54	61
EXHAUST FAN VFD BYPASS KIT PART NUMBER 371-05199-001	65	65
EXHAUST FAN VFD BYPASS KIT PART NUMBER 371-05199-002	66	65
EXHAUST FAN VFD BYPASS KIT PART NUMBER 371-05199-003	67	65
EXHAUST FAN VFD BYPASS KIT PART NUMBER 371-05199-004	68	65
EXHAUST FAN VFD BYPASS KIT PART NUMBER 371-05199-005	69	66
EXHAUST FAN VFD BYPASS KIT PART NUMBER 371-05199-006	70	66
EXHAUST FAN VFD BYPASS KIT PART NUMBER 371-05199-007	71	66
EXHAUST FAN VFD BYPASS KIT PART NUMBER 371-05199-008	72	66

DESCRIPTION	TABLE	PG
EXHAUST FAN WITH 1 INCH ISOLATOR SPRINGS	11	21
EXHAUST FAN WITH 2 INCH ISOLATOR SPRINGS	12	21
EXHAUST FAN WITH RUBBER ISOLATORS	13	22
EXHAUST HOOD PARTS	15	27
EXTENDED CABINET DIFFUSER ASSEMBLY	105	109
EXTENDED CABINET FILTER RACK	103	106
EXTENDED CABINET HOT WATER / STEAM COILS	104	108
EXTENDED CABINET PANELS	7	18
EXTENDED CABINET POSTS AND FIXED PANELS	6	17
EXTENDED CABINET ROOF ASSEMBLY	5	15
FAN PANEL / CONSTANT VOLUME EXHAUST FAN	82	84
FAN PANEL / CONSTANT VOLUME SUPPLY FAN	81	83
FAN PANEL / EXHAUST FAN WITH VFD	84	86
FAN PANEL / RETURN FAN WITH VFD	83	85
FAN PANEL / SUPPLY FAN WITH VFD	85	87
FC SUPPLY FAN WITH 1 INCH ISOLATOR SPRINGS	43	49
FC SUPPLY FAN WITH 2 INCH ISOLATOR SPRINGS	45	51
FILTER ASSEMBLY 2 INCH 30%	30	40
FILTER ASSEMBLY 2 INCH CARBON	31	40
FILTER ASSEMBLY 2 INCH CLEANABLE	29	40
FILTER ASSEMBLY 2 INCH THROWAWAY	28	40
FLEXSYS BY-PASS DAMPER	49	59
GAS HEAT CHIMNEY	99	103
GAS HEAT TRANSFORMER KITS	91	95
HINGED DISPLAY PANEL	86	90
HOT WATER COIL	101	105
INTERNAL LIGHT KIT	93	97
IPU CONTROL PANEL	87	91
MAIN CONTROL BOX	80	71

CONTENT INDEX (CONT'D)

DESCRIPTION	TABLE	PG
MODULATING GAS HEAT CONTROLS	97	101
MODULATING HEAT EXCHANGER ASSEMBLY	96	100
MOTOR DRIVEN EXHAUST DAMPER	17	27
OUTDOOR/RETURN DAMPER ASSEMBLY	24	35
POST AND FIXED PANELS	1	10
REFRIGERANT PIPING ASSEMBLIES	108	114
REPLACEMENT SUCTION HEADERS	37	44
REPLACEMENT SUCTION HEADERS	38	45
RETURN FAN BLOWER ASSEMBLIES	21	29
RETURN FAN DRIVES	23	31
RETURN FAN MOTOR MOUNTING PLATE	22	30
RETURN FAN MOTORS	10	19
RETURN FAN MOTORS	20	29
RETURN FAN OVERLOAD PANEL	56	61
RETURN FAN OVERLOAD PANEL 371-05515-001	74	69
RETURN FAN OVERLOAD PANEL 371-05515-002	75	69
RETURN FAN OVERLOAD PANEL 371-05515-003	76	69
RETURN FAN OVERLOAD PANEL 371-05515-004	77	69
RETURN FAN OVERLOAD PANEL 371-05515-005	78	69
RETURN FAN OVERLOAD PANEL 371-05515-006	79	69
RETURN FAN VFD	55	61
RETURN FAN WITH 1 INCH ISOLATOR SPRINGS	18	28
RETURN FAN WITH 2 INCH ISOLATOR SPRINGS	19	28
RIGID FILTER ASSEMBLY 12 INCH	32	42
RIGID FILTER ASSEMBLY 12 INCH 65% 30% PREFILTER	33	42
RIGID FILTER ASSEMBLY 12 INCH 95% 30% PREFILTER	34	42
SIMPLICITY CONTROL PANEL	88	92

DESCRIPTION	TABLE	PG
SINGLE AND DUAL POINT TERMINAL CONNECTIONS	89	93
SINGLE POINT DISCONNECT SWITCH	90	94
STAGED GAS HEAT CONTROL 750 OR 1125 MBH SECTION	98	102
STAGED GAS HEAT CONTROL, 375 MBH	95	99
STAGED HEAT EXCHANGER ASSEMBLY	94	98
STANDARD ROOF ASSEMBLY	4	13
STEAM COIL	102	105
SUPPLY FAN BLOWER ASSEMBLIES	39	47
SUPPLY FAN DRIVES AIRFOIL CLASS 2	48	55
SUPPLY FAN DRIVES FORWARD CURVE CLASS 1	46	52
SUPPLY FAN DRIVES FORWARD CURVE CLASS 2	47	53
SUPPLY FAN MOTOR MOUNTING PLATE	40	47
SUPPLY FAN MOTORS	41	48
SUPPLY FAN VFD	50	60
SUPPLY FAN VFD BYPASS	51	60
SUPPLY FAN VFD BYPASS KIT PART NUMBER 371-05198-002	57	63
SUPPLY FAN VFD BYPASS KIT PART NUMBER 371-05198-003	58	63
SUPPLY FAN VFD BYPASS KIT PART NUMBER 371-05198-004	59	63
SUPPLY FAN VFD BYPASS KIT PART NUMBER 371-05198-005	60	63
SUPPLY FAN VFD BYPASS KIT PART NUMBER 371-05198-006	61	64
SUPPLY FAN VFD BYPASS KIT PART NUMBER 371-05198-007	62	64
SUPPLY FAN VFD BYPASS KIT PART NUMBER 371-05198-008	63	64
SUPPLY FAN VFD BYPASS KIT PART NUMBER 371-05198-009	64	64
TRANSDUCERS AND SENSORS	111	120
VFD BYPASS KIT PART NUMBER 371-05198-010	73	68

LIST OF FIGURES

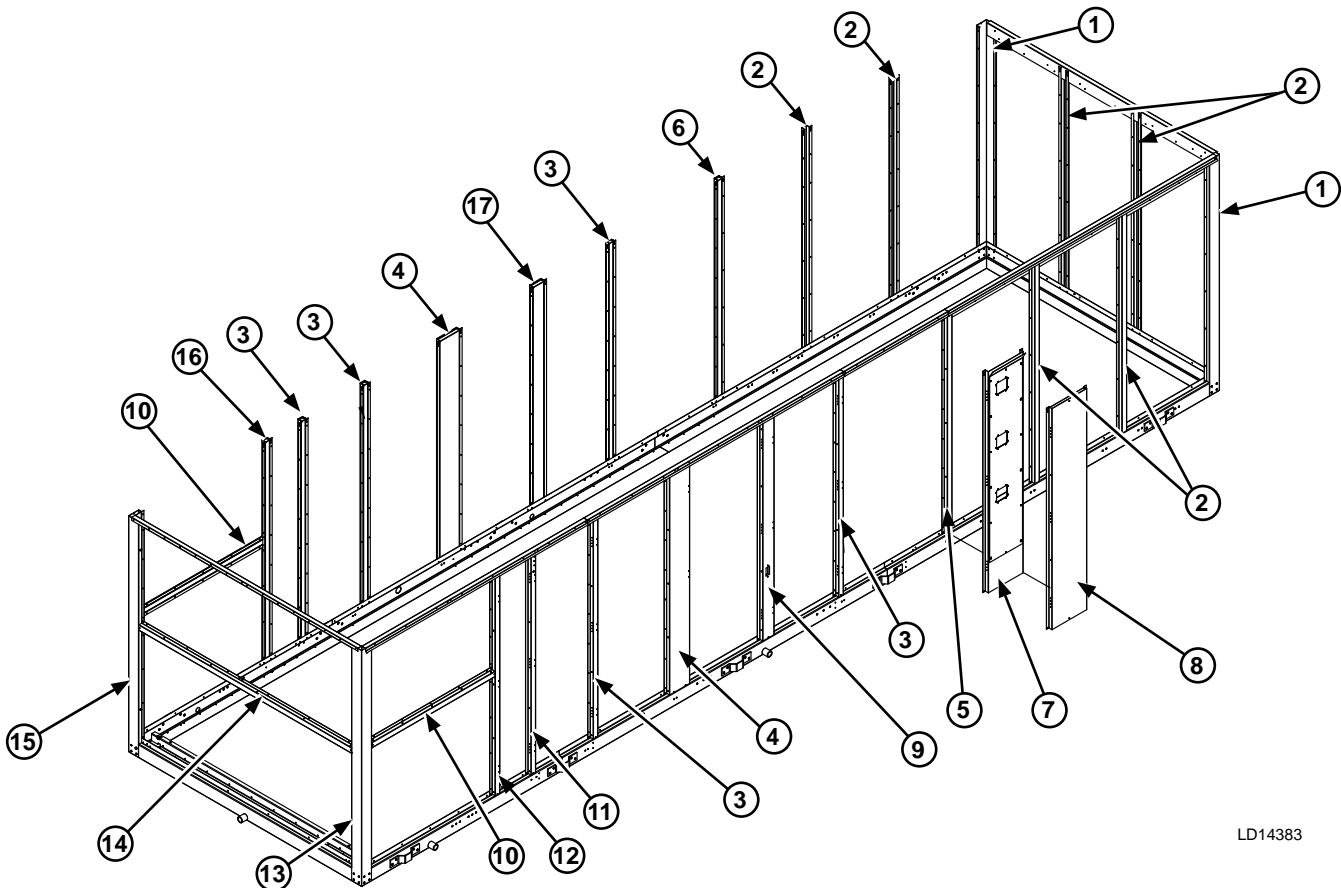
FIG. 1 - POST AND FIXED PANELS	10
FIG. 2 - DOORS AND PANELS, RIGHT SIDE.....	11
FIG. 3 - DOORS AND PANELS, LEFT SIDE.....	12
FIG. 4 - DOOR LATCH.....	12
FIG. 5 - STANDARD ROOF ASSEMBY	14
FIG. 6 - EXTENDED CABINET ROOF ASSEMBY.....	16
FIG. 7 - EXTENDED CABINET POST AND FIXED PANELS	17
FIG. 8 - EXTENDED CABINET PANELS	18
FIG. 9 - RETURN/EXHAUST FAN MOTORS	20
FIG. 10 - EXHAUST FAN ISOLATORS AND ISOLATOR SPRINGS	22
FIG. 11 - EXHAUST HOOD AND EXHAUST DAMPER	27
FIG. 12 - RETURN FANS	28
FIG. 13 - OUTDOOR/RETURN DAMPER ASSEMBLY.....	35
FIG. 14 - OUTDOOR/RETURN DAMPER ASSEMBLY	36
FIG. 15 - ECONOMIZER END HOOD.....	37
FIG. 16 - ECONOMIZER SIDE HOOD.....	38
FIG. 17 - AIR MEASURING STATION	39
FIG. 18 - ANGLE FILTER ASSEMBLIES	41
FIG. 19 - RIGID FILTER ASSEMBLIES.....	43
FIG. 20 - EVAPORATOR COILS, REPLACEMENT SUCTION HEADERS & EXPANSION VALVE ASSEMBLIES.....	46
FIG. 21 - SUPPLY FANS, BLOWER ASSEMBLY AND MOUNTING PLATE	47
FIG. 22 - AF AND FC SUPPLY FAN ISOLATOR SPRINGS.....	51
FIG. 23 - FLEXSYS BY-PASS DAMPER.....	59
FIG. 24 - SUPPLY/CONDENSER FANS.....	60
FIG. 25 - EXHAUST/RETURN FAN PANELS.....	62
FIG. 26 - VFD BYPASS KITS	67
FIG. 27 - VFD BYPASS KITS	68
FIG. 28 - RETURN FAN OVERLOAD PANEL.....	70
FIG. 29 - MAIN CONTROL BOX.....	71
FIG. 30 - FAN PANELS, EXHAUST/RETURN FANS WITH VFD & CONSTANT VOLUME SUPPLY FANS ...	88
FIG. 31 - FAN PANELS, SUPPLY FAN WITH VFD & CONSTANT VOLUME SUPPLY FAN	89
FIG. 32 - FAN PANELS, SUPPLY/EXHAUST/RETURN FANS WITH VFD.....	89
FIG. 33 - HINGED DISPLAY PANEL	90
FIG. 34 - IPU CONTROL PANEL.....	91
FIG. 35 - SIMPLICITY CONTROL PANEL.....	92
FIG. 36 - SINGLE AND DUAL POINT TERMINAL CONNECTIONS	93
FIG. 37 - SINGLE POINT DISCONNECT SWITCH	94
FIG. 38 - GAS HEAT TRANSFORMER KITS AND CONVENIENCE OUTLET	96
FIG. 39 - INTERNAL LIGHT KIT.....	97
FIG. 40 - STAGED HEAT EXCHANGER ASSEMBLY.....	98
FIG. 41 - STAGED GAS HEAT CONTROL, 375 MBH SECTION	99
FIG. 42 - MODULATING HEAT EXCHANGER ASSEMBLY	100
FIG. 43 - MODULATING GAS HEAT CONTROLS.....	101
FIG. 44 - STAGED GAS HEAT CONTROL, 750 OT 1125 MBH SECTION	102
FIG. 45 - GAS HEAT CHIMNEY	103

LIST OF FIGURES

FIG. 46 - ELECTRIC HEAT ELEMENTS	104
FIG. 47 - HOT WATER AND STEAM HEAT COILS	105
FIG. 48 - EXTENDED CABINET FILTER FRAME.....	106
FIG. 49 - EXTENDED CABINET FILTERS	107
FIG. 50 - EXTENDED CABINET FILTER CONTROLS	107
FIG. 51 - STEAM HOT WATER	108
FIG. 52 - EXTENDED CABINET DIFFUSER	109
FIG. 53 - CONDENSER COIL ASSEMBLIES.....	111
FIG. 54 - COMPRESSOR ASSEMBLIES	113
FIG. 55 - REFRIGERANT PIPING ASSEMBLIES.....	115
FIG. 56 - REFRIGERANT PIPING ASSEMBLIES.....	115
FIG. 57 - REFRIGERANT PIPING ASSEMBLIES.....	116
FIG. 58 - REFRIGERANT PIPING ASSEMBLIES.....	116
FIG. 59 - REFRIGERANT PIPING ASSEMBLIES.....	117
FIG. 60 - CONDENSER FAN ASSEMBLY.....	118
FIG. 61 - CONDENSER PANELS	119
FIG. 62 - CONDENSER PANELS	119
FIG. 63 - TRANSDUCERS AND SENSORS	121
FIG. 64 - TEMPERATURE SENSORS AND AIR PROOFING SWITCH.....	121
FIG. 65 - FLEXSYS EVAPORATOR SENSORS.....	122

TABLE 1 - POST AND FIXED PANELS

FIG	ITEM	DESCRIPTION / DIMENSIONS	PART NUMBER	QTY
1	1	CONDENSER CORNER POST 4 X 4 X 80.5	085-10012-002	2
1	2	CONDENSER UPRIGHT - 1.875 X 75.5	085-10017-040	6
1	3	POST 1.625 X 75.5	385-10017-230	5
1	4	POST 8 X 75.5	385-10017-202	2
1	5	POST COOLING ONLY 1.75 X 75.5	385-10017-224	1
1	6	POST 1.875 X 75.5	385-10017-204	1
1	7	GAS HEAT SINGLE HT EXCH PANEL 13.625 X 75.5	385-10017-226	1
1	7	GAS HEAT DOUBLE HT EXCH PANEL 13.625 X 75.5	385-10017-225	1
1	7	GAS HEAT TRIPPLE HT EXCH PANEL 13.625 X 75.5	385-10017-203	1
1	8	ELECTRIC OR HOT WATER PANEL 13.625 X 75.5	385-10017-231	1
1	9	POST 4.5 X 75.5	385-10017-201	1
1	10	HORIZONTAL SUPPORT 1.875 X 48.625	385-10017-210	2
1	11	POST 1.875 X 75.5	385-10017-232	1
1	12	POST 1.875 X 75.5	385-10017-208	1
1	13	RIGHT HAND CORNER POST 4 X 4 X 80.5	385-10012-300	1
1	14	HORIZONTAL SUPPORT 1.875 X 84	385-10017-209	1
1	15	LEFT HAND CORNER POST 4 X 4 X 80.5	385-10012-301	1
1	16	POST 1.875 X 75.5	385-10017-212	1
1	17	POST 4.375 X 75.5	385-10017-228	1
NOT SHOWN		PAINT, TOUCH-UP CHAMPAGNE	013-03355-000	
NOT SHOWN		CAULK CHAMPAGNE	013-03317-040	



LD14383

FIG. 1 - POST AND FIXED PANELS

TABLE 2 - DOORS AND PANELS

FIG	ITEM	DESCRIPTION / DIMENSIONS	PART NUMBER	QTY
2, 3	1	SUPPLY SECTION PANEL, NO HEAT BTM DISCHARGE 41 X 74.75	385-10015-201	2
2, 3	2	RETURN SECTION PANEL, NO EXHAUST OR RETURN FAN 48.65 X 40.68	385-10015-203	2
2, 3	3	OUTDOOR AIR SECTION PANEL, NO OUTDOOR AIR 48.65 32.07	385-10015-207	2
2, 3	4	RETURN SECTION PANEL WITH EXHAUST OR RETURN OPTION 48.65 X 40.68	385-10015-205	2
2	5	SUPPLY SECTION DOOR, ELECTRIC OR STEAM/HOT WATER HEAT 28.66 X 74.13	385-10016-210	1
2	6	SUPPLY SECTION DOOR GAS HEAT 28.66 X 74.13	385-10016-200	1
2	7	ELECTRICAL COMPARTMENT DOOR 25 X 74.13	385-10016-206	1
2	8	BLOWR COMPARTMENT DOOR 38.38 X 74.13	385-10016-201	1
2	9	EVAPORATOR COIL COMPARTMENT PANEL 28.17 X 74.75	385-10015-209	1
2	10	FILTER COMPARTMENT DOOR 22.25 X 74.13	385-10016-202	1
2	11	ECONOMIZER COMPARTMENT DOOR 22.25 X 74.13	385-10016-204	1
2	12	OUTDOOR AIR PANEL, NO OUTDOOR AIR 84 X 33.91	385-10015-204	1
2	13	RETURN AIR PANEL, NO EXHAUST OR RETURN FAN 84 X 38.84	385-10015-208	1
2	14	RETURN AIR SECTION PANEL, WITH EXHAUST AIR 84 X 38.84	385-10015-202	1
3	15	BLOWR COMPARTMENT DOOR 25 X 74.13	385-10016-209	1
3	16	EVAPORATOR COIL COMPARTMENT PANEL 28.73 X 74.75	385-10015-211	1
3	17	EVAPORATOR COMPARTMENT DOOR 27.8 X 74.13	385-10016-208	1
3	18	FILTER COMPARTMENT PANEL 22.61 X 74.75	385-10015-210	1
3	19	ECONOMIZER COMPARTMENT PANEL 12.17 X 74.75	385-10015-206	1

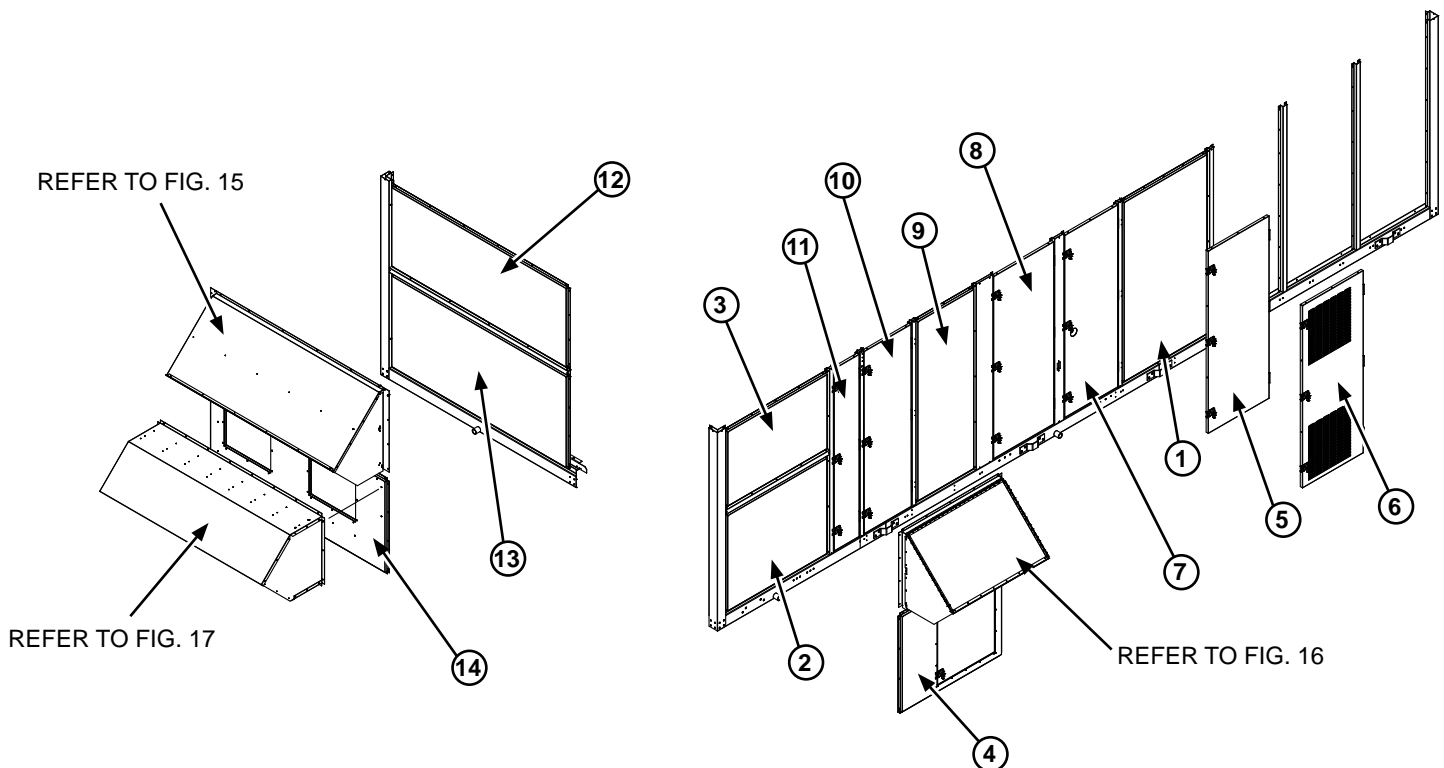
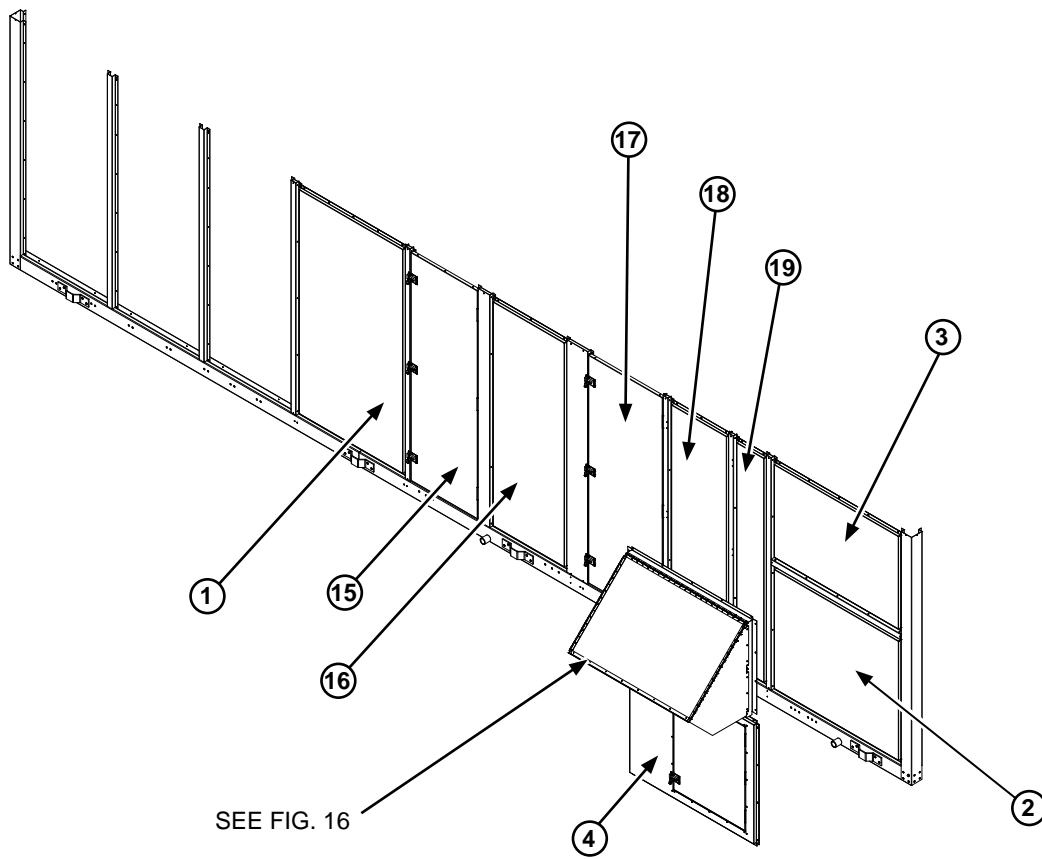


FIG. 2 - DOORS AND PANELS, RIGHT SIDE



LD14385

FIG. 3 - DOORS AND PANELS, LEFT SIDE

TABLE 3 - DOOR LATCH

FIG	ITEM	DESCRIPTION	PART NUMBER
4	1	TEE KNOB	029-22027-000
4	2	LATCH TONGUE GUIDE	029-22029-000
4	3	DOOR LATCH CATCH	029-22028-000
4	4	DOOR LATCH TONGUE	029-22032-000
4	5	DOOR LATCH BACK PLATE	029-22030-000

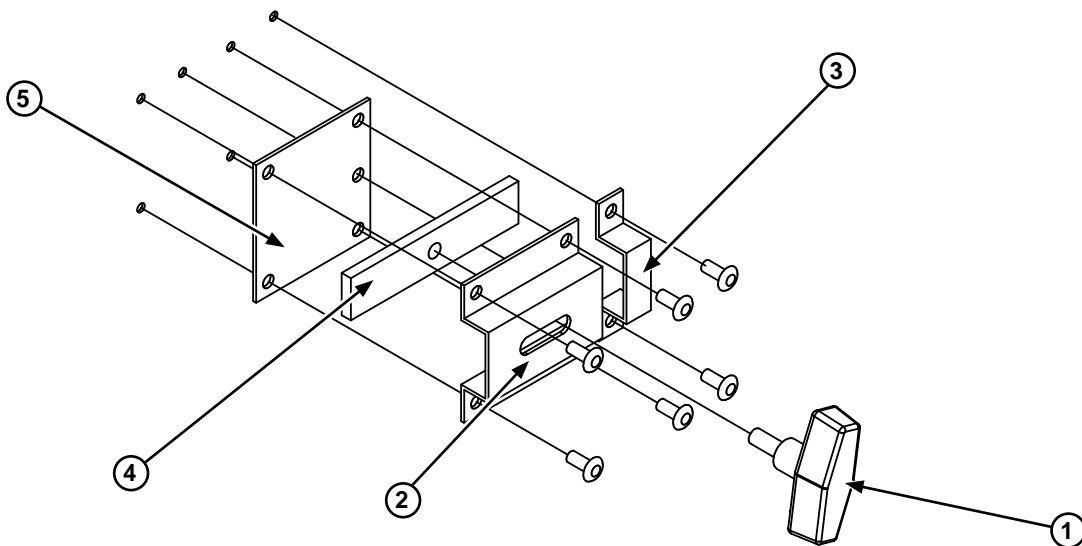
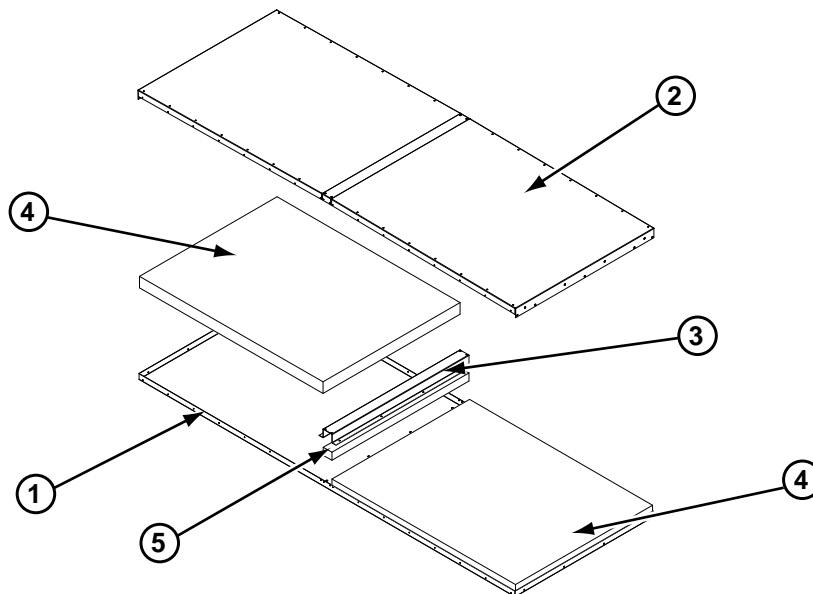
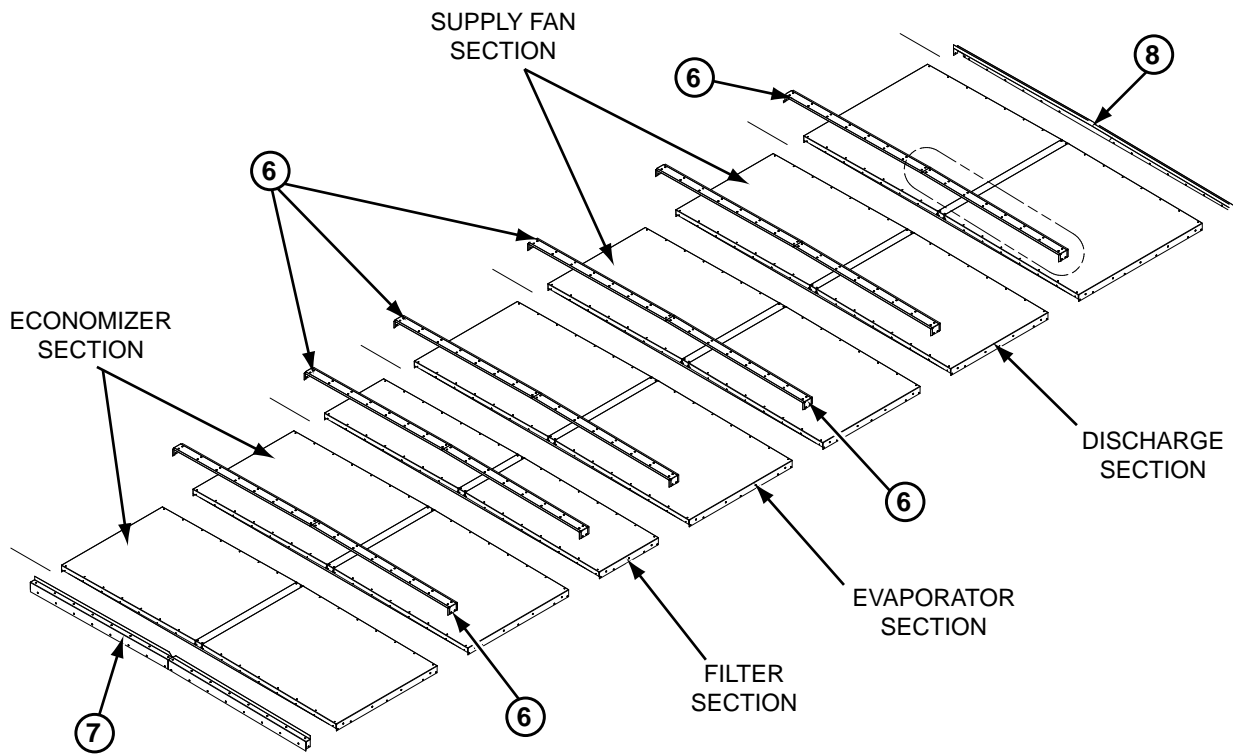


FIG. 4 - DOOR LATCH

LD14399

TABLE 4 - STANDARD ROOF ASSEMBLY

ECONOMIZER SECTION - PART NUMBER 385-10018-300				
FIG	ITEM NUMBER	DESCRIPTION	PART NUMBER	QTY
5	1	ROOF LINER	085-10018-000	1
5	2	ROOF, OUTER PANEL	085-10018-010	1
5	3	ROOF SUPPORT	085-10018-020	1
5	4	INSULATION	010-06594-405	2
5	5	INSULATION	010-06594-410	1
FILTER SECTION - PART NUMBER 385-10018-301				
FIG	ITEM NUMBER	DESCRIPTION	PART NUMBER	QTY
5	1	ROOF LINER	085-10018-001	1
5	2	ROOF, OUTER PANEL	085-10018-011	1
5	3	ROOF SUPPORT	085-10018-021	1
5	4	INSULATION	010-06594-406	2
5	5	INSULATION	010-06594-411	1
EVAPORATOR SECTION - PART NUMBER 385-10018-302				
FIG	ITEM NUMBER	DESCRIPTION	PART NUMBER	QTY
5	1	ROOF LINER	085-10018-002	1
5	2	ROOF, OUTER PANEL	085-10018-012	1
5	3	ROOF SUPPORT	085-10018-022	1
5	4	INSULATION	010-06594-407	2
5	5	INSULATION	010-06594-412	1
SUPPLY FAN SECTION - PART NUMBER 385-10018-303				
FIG	ITEM NUMBER	DESCRIPTION	PART NUMBER	QTY
5	1	ROOF LINER	085-10018-003	1
5	2	ROOF, OUTER PANEL	085-10018-013	1
5	3	ROOF SUPPORT	085-10018-023	1
5	4	INSULATION	010-06594-408	2
5	5	INSULATION	010-06594-413	1
EXTENDED CA5INET SECTION - PART NUMBER 385-10018-304				
FIG	ITEM NUMBER	DESCRIPTION	PART NUMBER	QTY
5	1	ROOF LINER	085-10018-004	1
5	2	ROOF, OUTER PANEL	085-10018-014	1
5	3	ROOF SUPPORT	085-10018-024	1
5	4	INSULATION	010-06594-409	2
5	5	INSULATION	010-06594-414	1
ADDITIONAL PARTS				
FIG	ITEM NUMBER	DESCRIPTION	PART NUMBER	QTY
5	6	ROOF CAP	085-10018-030	6
5	7	END ROOF CAP	085-10018-031	1
5	8	END ROOF CAP CONDENSER	085-10018-032	1



LD14611

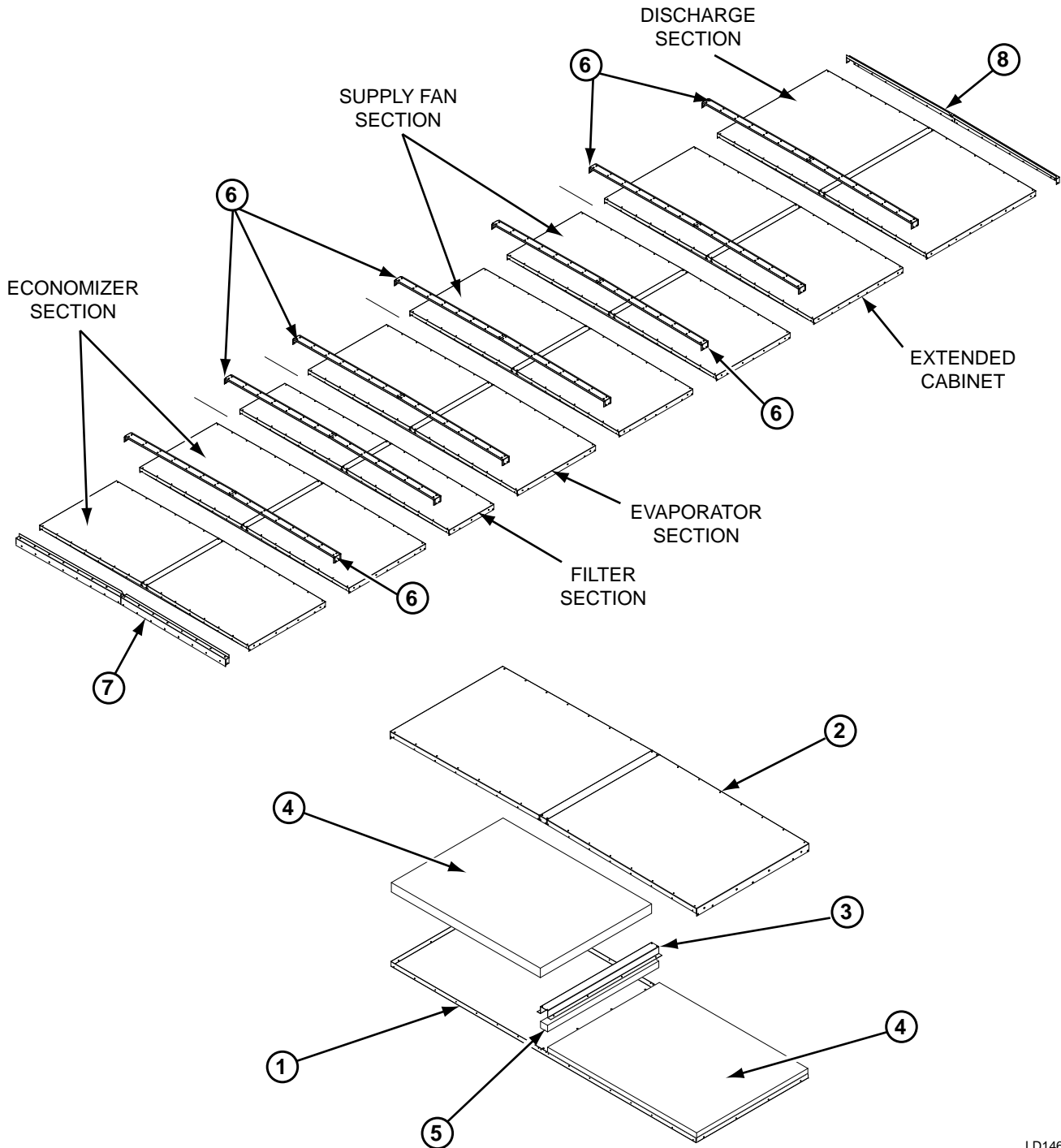
FIG. 5 - STANDARD ROOF ASSEMBLY

TABLE 5 - EXTENDED CABINET ROOF ASSEMBLY

ECONOMIZER SECTION - PART NUMBER 385-10018-300				
FIG	ITEM NUMBER	DESCRIPTION	PART NUMBER	QTY
6	1	ROOF LINER	085-10018-000	1
6	2	ROOF, OUTER PANEL	085-10018-010	1
6	3	ROOF SUPPORT	085-10018-020	1
6	4	INSULATION	010-06594-405	2
6	5	INSULATION	010-06594-410	1
FILTER SECTION - PART NUMBER 385-10018-301				
FIG	ITEM NUMBER	DESCRIPTION	PART NUMBER	QTY
6	1	ROOF LINER	085-10018-001	1
6	2	ROOF, OUTER PANEL	085-10018-011	1
6	3	ROOF SUPPORT	085-10018-021	1
6	4	INSULATION	010-06594-406	2
6	5	INSULATION	010-06594-411	1
EVAPORATOR SECTION - PART NUMBER 385-10018-302				
FIG	ITEM NUMBER	DESCRIPTION	PART NUMBER	QTY
6	1	ROOF LINER	085-10018-002	1
6	2	ROOF, OUTER PANEL	085-10018-012	1
6	3	ROOF SUPPORT	085-10018-022	1
6	4	INSULATION	010-06594-407	2
6	5	INSULATION	010-06594-412	1
SUPPLY FAN SECTION - PART NUMBER 385-10018-303				
FIG	ITEM NUMBER	DESCRIPTION	PART NUMBER	QTY
6	1	ROOF LINER	085-10018-003	1
6	2	ROOF, OUTER PANEL	085-10018-013	1
6	3	ROOF SUPPORT	085-10018-023	1
6	4	INSULATION	010-06594-408	2
6	5	INSULATION	010-06594-413	1
EXTENDED CABINET SECTION - PART NUMBER 385-10018-305				
FIG	ITEM NUMBER	DESCRIPTION	PART NUMBER	QTY
6	1	ROOF LINER	085-10018-005	1
6	2	ROOF, OUTER PANEL	085-10018-015	1
6	3	ROOF SUPPORT	085-10018-025	1
6	4	INSULATION	010-06594-409	2
6	5	INSULATION	010-06594-414	1
DISCHARGE SECTION - PART NUMBER 385-10018-306				
FIG	ITEM NUMBER	DESCRIPTION	PART NUMBER	QTY
6	1	ROOF LINER	085-10018-006	1
6	2	ROOF, OUTER PANEL	085-10018-016	1
6	3	ROOF SUPPORT	085-10018-026	1
6	4	INSULATION	010-06594-422	2
6	5	INSULATION	010-06594-423	1

TABLE 5 - EXTENDED CABINET ROOF ASSEMBLY (CONT'D)

ADDITIONAL PARTS				
FIG	ITEM NUMBER	DESCRIPTION	PART NUMBER	QTY
6	6	ROOF CAP	085-10018-030	7
6	7	END ROOF CAP	085-10018-031	1
6	8	END ROOF CAP CONDENSER	085-10018-032	1

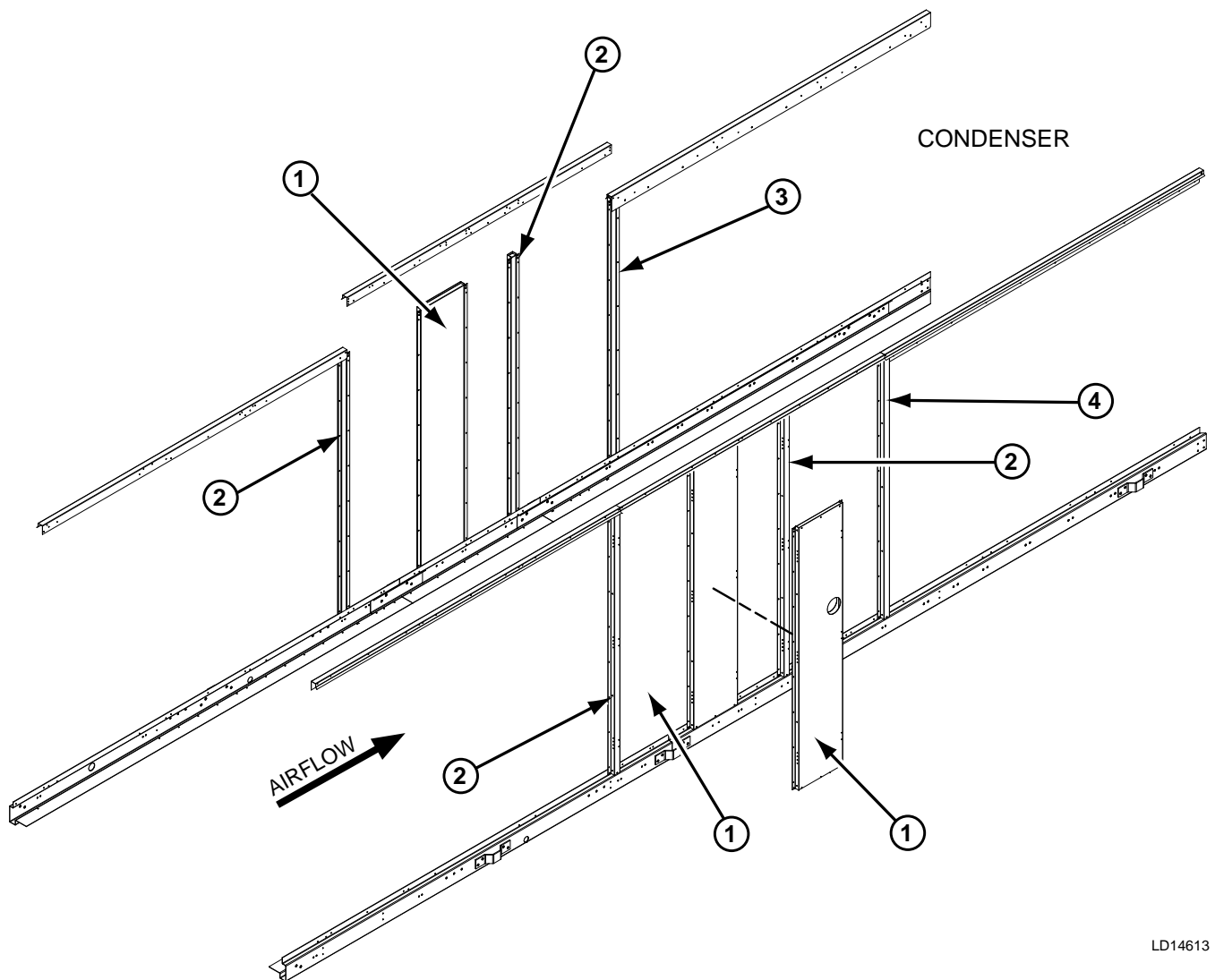


LD14612

FIG. 6 - EXTENDED CABINET ROOF ASSEMBY

TABLE 6 - EXTENDED CABINET POSTS AND FIXED PANELS

FIG	ITEM	DESCRIPTION	PART NUMBER
7	1	FINAL FILTER PANEL 16.5 X 75.5	385-10017-215
7	1	NO FINAL FILTER PANEL 16.5 X 75.5	385-10017-211
7	2	POST 1.625 X 75.5	385-10017-230
7	3	POST 1.875 X 75.5	385-10017-204
7	4	POST COOLING ONLY 1.75 X 75.5	385-10017-224

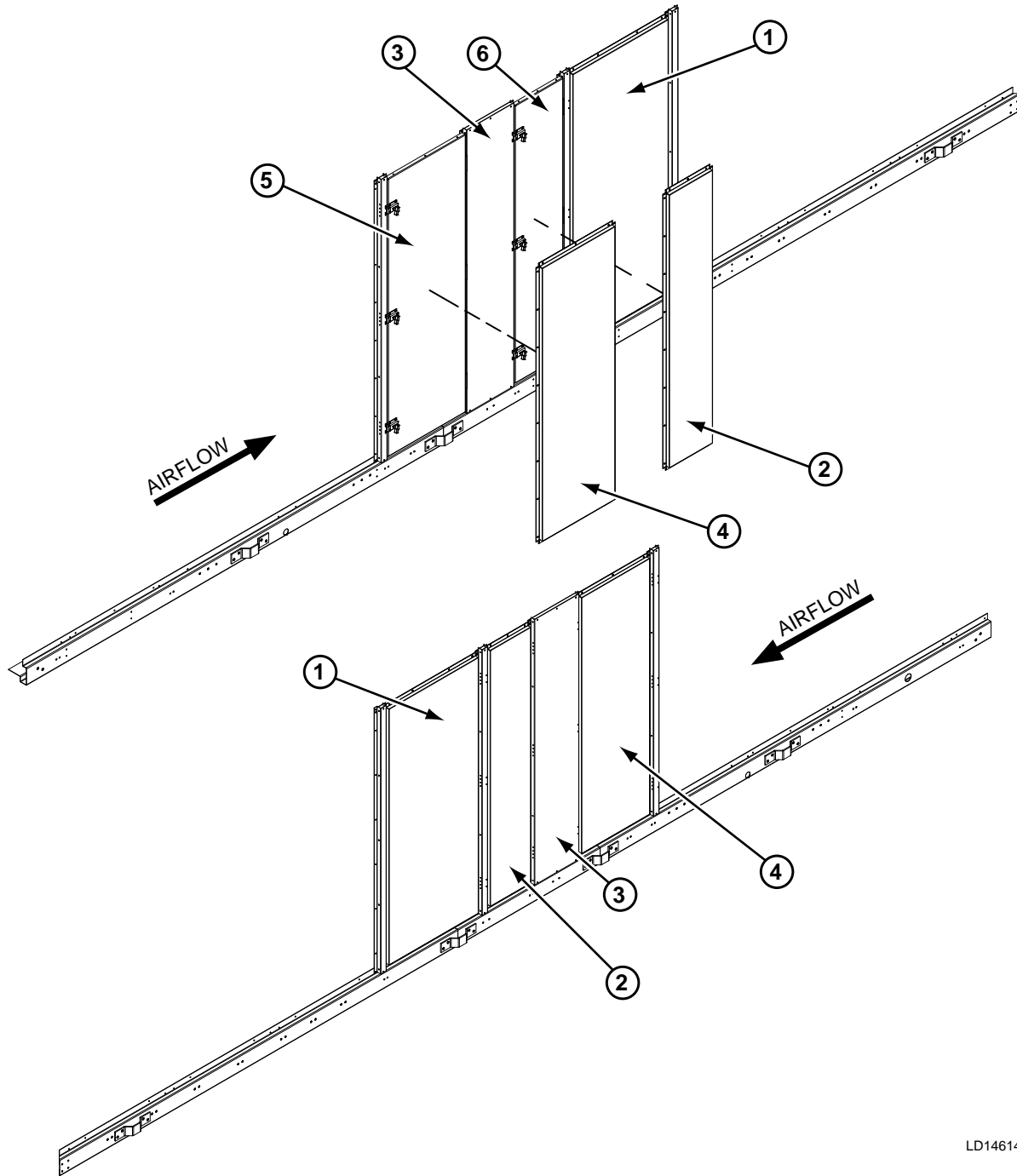


LD14613

FIG. 7 - EXTENDED CABINET POST AND FIXED PANELS

TABLE 7 - EXTENDED CABINET PANELS

FIG	ITEM	DESCRIPTION	PART NUMBER
8	1	PANEL SIDE 31.25 x 74.75	385 10015-214
8	2	PANEL WITHOUT FILTERS 16.25 X 74.75	385-10015-216
8	3	PANEL WITH FILTERS 16.25 X 74.75	385-10017-211
8	4	PANEL WITHOUT HEAT 24.375 X 74.75	385-10015-215
8	5	PANEL WITH HEAT 34 X 74.75	385-10016-211
8	6	PANEL WITH FILTERS 14.875 X 74.125	385-10016-212



LD14614

FIG. 8 - EXTENDED CABINET PANELS

TABLE 8 - EXHAUST FAN MOTOR MOUNTING PLATE

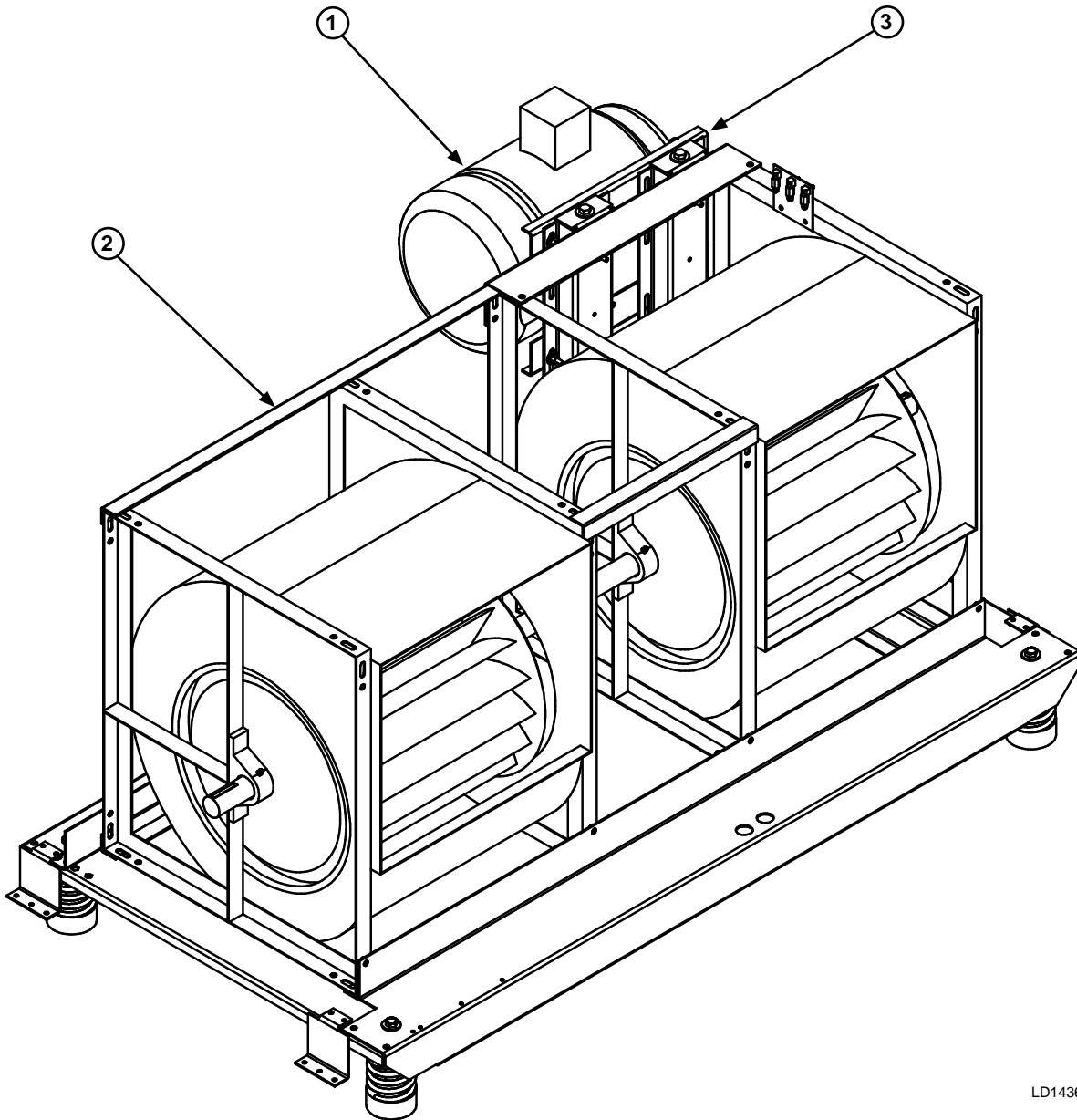
FIG	ITEM	MTR HP	MOTOR BASE TOP PART NUMBER	MOTOR BASE BTM PART NUMBER	MOTOR BASE
9	3	5	085-10023-052	085-10023-053	085-10023-054
9	3	7.5	085-10023-052	085-10023-053	085-10023-054
9	3	10	085-10023-052	085-10023-053	085-10023-054
9	3	15	085-10023-052	085-10023-053	-----
9	3	20	085-10023-052	085-10023-053	-----

TABLE 9 - EXHAUST FAN BLOWER ASSEMBLIES

FIG	ITEM	SIZE	CLASS	ASSEMBLY PART NUMBER	WHEEL		BEARING		SHAFT	
					PART #	QTY	PART #	QTY	PART #	QTY
9	2	18 - 18	1	026-36406-000	026-38831-000	2	029-22059-000	3	029-22051-000	1

TABLE 10 - RETURN FAN MOTORS

FIG	ITEM	MTR HP	VOLTAGE	OPEN DRIP PROOF HIGH EFFICIENCY	OPEN DRIP PROOF PREMIUM EFFICIENCY	TOTALLY ENCLOSED FAN COOLED HIGH EFFICIENCY	TOTALLY ENCLOSED FAN COOLED PREMIUM EFFICIENCY
9	1	5	208/230-3-60	024-23929-000	024-27057-000	024-23915-000	024-27084-000
9	1	5	460-3-60	024-23929-000	024-27057-000	024-23915-000	024-27084-000
9	1	5	575-3-60	024-27009-000	024-27371-000	024-27041-000	024-27343-000
9	1	7.5	208/230-3-60	024-23930-000	024-27059-000	024-23916-000	024-27086-000
9	1	7.5	460-3-60	024-23930-000	024-27059-000	024-23916-000	024-27086-000
9	1	7.5	575-3-60	024-27010-000	024-27372-000	024-27042-000	024-27345-000
9	1	10	208/230-3-60	024-23931-000	024-27062-000	024-23917-000	024-27088-000
9	1	10	460-3-60	024-23931-000	024-27062-000	024-23917-000	024-27088-000
9	1	10	575-3-60	024-27011-000	024-27373-000	024-27043-000	024-27347-000
9	1	15	208/230-3-60	024-23932-000	024-27064-000	024-23918-000	024-27090-000
9	1	15	460-3-60	024-23932-000	024-27064-000	024-23918-000	024-27090-000
9	1	15	575-3-60	024-27012-000	024-27374-000	024-27314-000	024-27349-000
9	1	20	208/230-3-60	024-23933-000	024-27066-000	024-23919-000	024-27098-000
9	1	20	460-3-60	024-23933-000	024-27066-000	024-23919-000	024-27098-000
9	1	20	575-3-60	024-27013-000	024-27375-000	024-27029-000	024-27351-000



LD14365

FIG. 9 - RETURN/EXHAUST FAN MOTORS

TABLE 11 - EXHAUST FAN WITH 1 INCH ISOLATOR SPRINGS

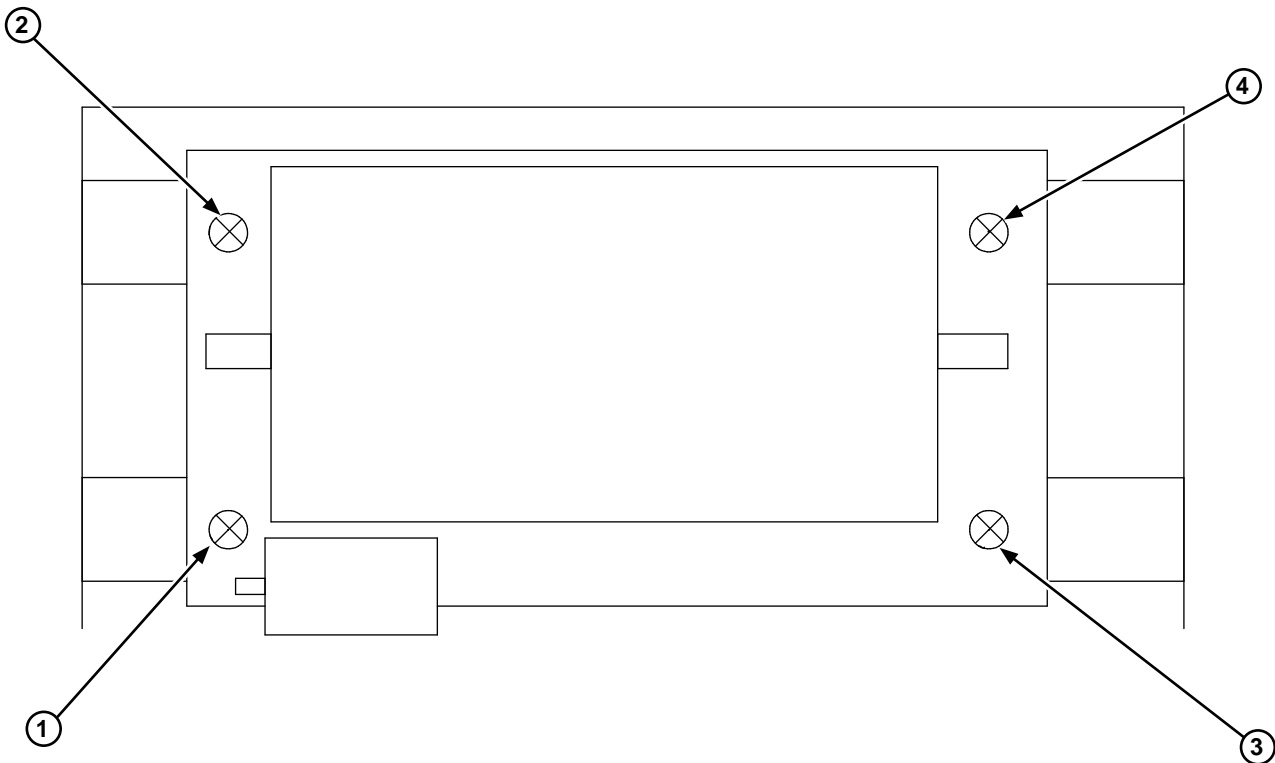
FIG	ITEM	MTR HP	PART NUMBER	COLOR
10	1	5	029-21363-005	BLACK
10	2	5	029-21363-002	BLUE/PINK
10	3	5	029-21363-002	BLUE/PINK
10	4	5	028-21363-002	BLUE/PINK
10	1	7.5	029-21363-006	BLACK/YELLOW
10	2	7.5	029-21363-001	BLUE
10	3	7.5	029-21363-002	BLUE/PINK
10	4	7.5	028-21363-002	BLUE/PINK
10	1	10	029-21363-006	BLACK/YELLOW
10	2	10	029-21363-001	BLUE
10	3	10	029-21363-003	BLUE/BLACK
10	4	10	028-21363-002	BLUE/PINK
10	1	15	029-21363-006	BLACK/YELLOW
10	2	15	029-21363-001	BLUE
10	3	15	029-21363-003	BLUE/BLACK
10	4	15	028-21363-002	BLUE/PINK
10	1	20	029-21363-006	BLACK/YELLOW
10	2	20	029-21363-001	BLUE
10	3	20	029-21363-003	BLUE/BLACK
10	4	20	028-21363-002	BLUE/PINK

TABLE 12 - EXHAUST FAN WITH 2 INCH ISOLATOR SPRINGS

FIG	ITEM	MTR HP	PART NUMBER	COLOR
10	1	5	029-21330-605	BROWN
10	2	5	029-21330-602	YELLOW
10	3	5	029-21330-603	BLACK
10	4	5	029-21330-602	YELLOW
10	1	7.5	029-21330-616	RED
10	2	7.5	029-21330-601	BLUE
10	3	7.5	029-21330-603	BLACK
10	4	7.5	029-21330-602	YELLOW
10	1	10	029-21330-616	RED
10	2	10	029-21330-601	BLUE
10	3	10	029-21330-603	BLACK
10	4	10	029-21330-602	YELLOW
10	1	15	029-21330-617	TAN
10	2	15	029-21330-601	BLUE
10	3	15	029-21330-614	GREEN
10	4	15	029-21330-602	YELLOW
10	1	20	029-21330-617	TAN
10	2	20	029-21330-601	BLUE
10	3	20	029-21330-614	GREEN
10	4	20	029-21330-602	YELLOW

TABLE 13 - EXHAUST FAN WITH RUBBER ISOLATORS

FIG	ITEM	MTR HP	PART NUMBER
10	1	5	028-11957-005
10	2	5	028-11957-002
10	3	5	028-11957-003
10	4	5	028-11957-002
10	1	7.5	028-11957-005
10	2	7.5	028-11957-002
10	3	7.5	028-11957-003
10	4	7.5	028-11957-002
10	1	10	028-11957-006
10	2	10	028-11957-002
10	3	10	028-11957-003
10	4	10	028-11957-002
10	1	15	028-11957-006
10	2	15	028-11957-002
10	3	15	028-11957-004
10	4	15	028-11957-002
10	1	20	028-11957-006
10	2	20	028-11957-002
10	3	20	028-11957-004
10	4	20	028-11957-002



LD14364

FIG. 10 - EXHAUST FAN ISOLATORS AND ISOLATOR SPRINGS

TABLE 14 - EXHAUST FAN DRIVES

MTR HP	NOM RPM	MOTOR PULLEY*	MOTOR PULLEY BUSHING*	BLOWER PULLEY*	BLOWER PULLEY BUSHING	BELT*	BELT QTY	DRIVE SPEED (RPM)	DRIVE CENTER DIST
5	350	3.4X3B-SH	SHX1 1/8	15.4X3B-SK	SKX1 7/16	AP78	3	372.9	24.78
		3.4X3B-SH	SHX1 1/8	16.0X3B-SK	SKX1 7/16	AP79	3	358.8	24.73
		3.4X3B-SH	SHX1 1/8	15.4X3B-SK	SKX1 7/16	AX78	3	372.9	24.78
5	400	3.4X3B-SH	SHX1 1/8	13.6X3B-SK	SKX1 7/16	AP75	3	422.8	24.9
		3.4X3B-SH	SHX1 1/8	13.6X3B-SK	SKX1 7/16	AX75	3	422.8	24.9
		3.4X2B-SH	SHX1 1/8	15.4X2B-SK	SKX1 7/16	BX79	2	421.9	24.91
5	450	3.4X3B-SH	SHX1 1/8	12.4X3B-SK	SKX1 7/16	AP72	3	464.2	24.45
		4.6X1B-SDS	SDSX1 1/8	18.4X1B-SK	SKX1 7/16	BX86	1	466.3	24.87
		3.6X3B-SH	SHX1 1/8	13.6X3B-SK	SKX1 7/16	AP75	3	448.8	24.76
5	500	3.4X2B-SH	SHX1 1/8	12.4X2B-SK	SKX1 7/16	BX73	2	520.7	24.57
		3.4X3B-SH	SHX1 1/8	11.0X3B-SK	SKX1 7/16	AP70	3	524.1	24.67
		4.0X2B-SH	SHX1 1/8	13.6X2B-SK	SKX1 7/16	AX75	2	500.9	24.48
5	550	4.6X1B-SDS	SDSX1 1/8	15.4X1B-SK	SKX1 7/16	BX80	1	554.7	24.59
		4.0X2B-SH	SHX1 1/8	12.4X2B-SK	SKX1 7/16	AX73	2	550	24.53
		4.2X2B-SH	SHX1 1/8	13.6X2B-SK	SKX1 7/16	AP76	2	526.9	24.85
5	600	4.2X2B-SH	SHX1 1/8	12.4X2B-SK	SKX1 7/16	AP74	2	578.5	24.9
		4.4X2B-SH	SHX1 1/8	12.4X2B-SK	SKX1 7/16	AP74	2	607.1	24.76
		3.8X2B-SH	SHX1 1/8	12.4X2B-SK	SKX1 7/16	BP74	2	575.4	24.8
5	650	4.6X1B-SDS	SDSX1 1/8	13.6X1B-SDS	SDSX1 7/16	BX77	1	626	24.69
		4.8X1B-SDS	SDWSX1 1/8	13.6X1B-SDS	SDSX1 7/16	BX77	1	651	24.55
		4.2X2B-SH	SHX1 1/8	11.0X2B-SK	SKX1 7/16	AP71	2	653.2	24.6
5	700	5.2X1B-SDS	SDSX1 1/8	13.6X1B-SDS	SDSX1 7/16	BP78	1	700.9	24.77
		4.6X1B-SDS	SDSX1 1/8	12.4X1B-SDS	SDSX1 7/16	BX75	1	684.6	24.74
		4.8X1B-SDS	SDSX1 1/8	12.4X1B-SDS	SDSX1 7/16	BX75	1	711.9	24.59
5	750	4.6X1B-SDS	SDSX1 1/8	11.0X1B-SDS	SDSX1 7/16	BX72	1	768.6	24.43
		5.2X1B-SDS	SDSX1 1/8	12.4X1B-SDS	SDSX1 7/16	BP76	1	766.6	24.81
		5.4X1B-SDS	SDSX1 1/8	13.6X1B-SDS	SDSX1 7/16	BP78	1	725.9	24.63
5	800	4.8X1B-SDS	SDSX1 1/8	11.0X1B-SDS	SDSX1 7/16	BX73	1	799.3	24.79
		5.4X1B-SDS	SDSX1 1/8	12.4X1B-SDS	SDSX1 7/16	BP76	1	793.9	24.67
		5.6X1B-SDS	SDSX1 1/8	12.4X1B-SDS	SDSX1 7/16	BP76	1	821.2	24.52
5	850	5.2X1B-SDS	SDSX1 1/8	11.0X1B-SDS	SDSX1 7/16	BP73	1	860.6	24.5
		5.0X1B-SDS	SDSX1 1/8	11.0X1B-SDS	SDSX1 7/16	BX73	1	829.9	24.65
		5.2X1B-SDS	SDSX1 1/8	11.0X1B-SDS	SDSX1 7/16	BX73	1	860.6	24.5
7.5	500	4.0X3B-SH	SHX1 3/8	13.6X3B-SK	SKX1 7/16	AX77	3	500.9	25.5
		3.4X3B-SH	SHX1 3/8	12.4X3B-SK	SKX1 7/16	BX75	3	520.7	25.59
		4.0X2B-SH	SHX1 3/8	15.4X2B-SK	SKX1 7/16	BX81	2	488.3	25.52
7.5	550	4.0X2B-SH	SHX1 3/8	13.6X2B-SK	SKX1 7/16	BX78	2	551.1	25.62
		4.2X3B-SH	SHX1 3/8	13.6X3B-SK	SKX1 7/16	AP77	3	526.9	25.36
		4.4X3B-SH	SHX1 3/8	13.6X3B-SK	SKX1 7/16	AP77	3	552.9	25.22

TABLE 14 - EXHAUST FAN DRIVES (CONT'D)

MTR HP	NOM RPM	MOTOR PULLEY*	MOTOR PULLEY BUSHING*	BLOWER PULLEY*	BLOWER PULLEY BUSHING	BELT*	BELT QTY	DRIVE SPEED (RPM)	DRIVE CENTER DIST
7.5	600	4.0X2B-SH	SHX1 3/8	12.4X2B-SK	SKX1 7/16	BX76	2	602.7	25.67
		4.2X2B-SH	SHX1 3/8	13.6X2B-SK	SKX1 7/16	BX78	2	576	25.48
		4.2X3B-SH	SHX1 3/8	12.4X3B-SK	SKX1 7/16	AP75	3	578.5	25.4
7.5	650	5.2X2B-SDS	SDSX1 3/8	13.6X2B-SK	SKX1 7/16	AP79	2	657	25.66
		4.6X2B-SDS	SDSX1 3/8	13.6X2B-SK	SKX1 7/16	BP78	2	626	25.2
		4.2X2B-SH	SHX1 3/8	12.4X2B-SK	SKX1 7/16	BX76	2	630	25.53
7.5	700	5.2X2B-SDS	SDSX1 3/8	12.4X2B-SK	SKX1 7/16	AP77	2	721.4	25.7
		4.6X2B-SDS	SDSX1 3/8	12.4X2B-SK	SKX1 7/16	BP76	2	684.6	25.24
		4.8X2B-SDS	SDSX1 3/8	12.4X2B-SK	SKX1 7/16	BP77	2	711.9	25.6
7.5	750	4.6X2B-SDS	SDSX1 3/8	11.0X2B-SK	SKX1 7/16	BP74	2	768.6	25.44
		5.4X2B-SDS	SDSX1 3/8	12.4X2B-SK	SKX1 7/16	AP77	2	750	25.55
		4.2X3B-SH	SHX1 3/8	9.4X3B-SK	SKX1 7/16	AP70	3	766.2	25.46
7.5	800	6.0X1B-SDS	SDSX1 3/8	13.6X1B-SDS	SDSX1 7/16	BX80	1	800.8	25.21
		5.2X2B-SDS	SDSX1 3/8	11.0X2B-SK	SKX1 7/16	AP74	2	814.5	25.38
		4.8X2B-SDS	SDSX1 3/8	11.0X2B-SK	SKX1 7/16	BP74	2	799.3	25.3
7.5	850	6.2X1B-SDS	SDSX1 3/8	13.6X1B-SDS	SDSX1 7/16	BX81	1	825.8	25.58
		6.4X1B-SDS	SDSX1 3/8	13.6X1B-SDS	SDSX1 7/16	BX81	1	850.8	25.43
		4.0X2B-SH	SHX1 3/8	8.6X2B-SK	SKX1 7/16	BX69	2	856.8	25.39
7.5	900	6.0X1B-SDS	SDSX1 3/8	12.4X1B-SDS	SDSX1 7/16	BX78	1	875.8	25.24
		4.6X2B-SDS	SDSX1 3/8	9.4X2B-SK	SKX1 7/16	BP71	2	893.9	25.29
		6.8X1B-SDS	SDSX1 3/8	13.6X1B-SDS	SDSX1 7/16	BP82	1	900.7	25.65
7.5	950	4.6X2B-SDS	SDSX1 3/8	8.6X2B-SK	SKX1 7/16	BP70	2	973.3	25.45
		5.2X2B-SDS	SDSX1 3/8	9.4X2B-SK	SKX1 7/16	AP71	2	955.4	25.22
		7.0X1B-SDS	SDSX1 3/8	13.6X1B-SDS	SDSX1 7/16	BP82	1	925.7	25.5
10	550	3.6X3B-SH	SHX1 3/8	12.4X3B-SK	SKX1 7/16	BX75	3	548	25.45
		4.6X2B-SDS	SDSX1 3/8	15.4X2B-SK	SKX1 7/16	BX82	2	554.7	25.62
		3.8X3B-SH	SHX1 3/8	13.6X3B-SK	SKX1 7/16	BX77	3	526.1	25.25
10	600	3.6X3B-SH	SHX1 3/8	11.0X3B-SK	SKX1 7/16	BX73	3	615.3	25.66
		4.8X3B-SD	SDX1 3/8	13.6X3B-SK	SKX1 7/16	AP78	3	605	25.44
		4.4X3B-SH	SHX1 3/8	13.6X3B-SK	SKX1 7/16	BP78	3	601	25.34
10	650	4.6X2B-SDS	SDSX1 3/8	13.6X2B-SK	SKX1 7/16	BX78	2	626	25.2
		4.8X2B-SDS	SDSX1 3/8	13.6X2B-SK	SKX1 7/16	BX79	2	651	25.57
		4.4X3B-SH	SHX1 3/8	12.4X3B-SK	SKX1 7/16	BP76	3	657.3	25.39
10	700	5.2X2B-SDS	SDSX1 3/8	13.6X2B-SK	SKX1 7/16	BP79	2	700.9	25.28
		4.6X2B-SDS	SDSX1 3/8	12.4X2B-SK	SKX1 7/16	BX76	2	684.6	25.24
		4.8X2B-SDS	SDSX1 3/8	12.4X2B-SK	SKX1 7/16	BX77	2	711.9	25.6
10	750	5.2X2B-SDS	SDSX1 3/8	12.4X2B-SK	SKX1 7/16	BP77	2	766.6	25.32
		4.6X2B-SDS	SDSX1 3/8	11.0X2B-SK	SKX1 7/16	BX74	2	768.6	25.44
		5.4X2B-SDS	SDSX1 3/8	13.6X2B-SK	SKX1 7/16	BP80	2	725.9	25.64

TABLE 14 - EXHAUST FAN DRIVES (CONT'D)

MTR HP	NOM RPM	MOTOR PULLEY*	MOTOR PULLEY BUSHING*	BLOWER PULLEY*	BLOWER PULLEY BUSHING	BELT*	BELT QTY	DRIVE SPEED (RPM)	DRIVE CENTER DIST
10	800	5.4X2B-SDS	SDSX1 3/8	12.4X2B-SK	SKX1 7/16	BP78	2	793.9	25.68
		5.6X2B-SDS	SDSX1 3/8	12.4X2B-SK	SKX1 7/16	BP78	2	821.2	25.53
		4.8X2B-SDS	SDSX1 3/8	11.0X2B-SK	SKX1 7/16	BX74	2	799.3	25.3
10	850	5.2X2B-SDS	SDSX1 3/8	11.0X2B-SK	SKX1 7/16	BP75	2	860.6	25.51
		6.2X2B-SDS	SDSX1 3/8	12.4X2B-SK	SKX1 7/16	AP78	2	864.2	25.48
		5.8X2B-SDS	SDSX1 3/8	12.4X2B-SK	SKX1 7/16	BP78	2	848.5	25.39
10	900	5.4X2B-SDS	SDSX1 3/8	11.0X2B-SK	SKX1 7/16	BP75	2	891.3	25.36
		5.6X2B-SDS	SDSX1 3/8	11.0X2B-SK	SKX1 7/16	BP75	2	921.9	25.21
		4.6X2B-SDS	SDSX1 3/8	9.4X2B-SK	SKX1 7/16	BX71	2	893.9	25.29
10	950	4.6X2B-SDS	SDSX1 3/8	8.6X2B-SK	SKX1 7/16	BX70	2	973.3	25.45
		5.8X2B-SDS	SDSX1 3/8	11.0X2B-SK	SKX1 7/16	BP76	2	952.6	25.57
		4.4X3B-SH	SHX1 3/8	8.6X3B-SK	SKX1 7/16	BP70	3	934.5	25.6
15	600	5.2X3B-SD	SDX1 5/8	15.4X3B-SK	SKX1 7/16	BP81	3	621.1	24.69
		5.2X3B-SD	SDX1 5/8	16.0X3B-SK	SKX1 7/16	BP82	3	598.4	24.65
		5.4X3B-SD	SDX1 5/8	16.0X3B-SK	SKX1 7/16	BP82	3	619.7	24.51
15	650	4.6X3B-SD	SDX1 5/8	13.6X3B-SK	SKX1 7/16	BX77	3	626	24.69
		4.8X3B-SD	SDX1 5/8	13.6X3B-SK	SKX1 7/16	BX77	3	651	24.55
		5.4X3B-SD	SDX1 5/8	15.4X3B-SK	SKX1 7/16	BP81	3	643.3	24.55
15	700	5.2X3B-SD	SDX1 5/8	13.6X3B-SK	SKX1 7/16	BP78	3	700.9	24.77
		4.6X3B-SD	SDX1 5/8	12.4X3B-SK	SKX1 7/16	BX75	3	684.6	24.74
		4.8X3B-SD	SDX1 5/8	12.4X3B-SK	SKX1 7/16	BX75	3	711.9	24.59
15	750	5.2X3B-SD	SDX1 5/8	12.4X3B-SK	SKX1 7/16	BP76	3	766.6	24.81
		4.6X3B-SD	SDX1 5/8	11.0X3B-SK	SKX1 7/16	BX72	3	768.6	24.43
		5.4X3B-SD	SDX1 5/8	13.6X3B-SK	SKX1 7/16	BP78	3	725.9	24.63
15	800	6.0X2B-SDS	SDSX1 5/8	13.6X2B-SK	SKX1 7/16	BX79	2	800.8	24.71
		5.4X3B-SD	SDX1 5/8	12.4X3B-SK	SKX1 7/16	BP76	3	793.9	24.67
		5.6X3B-SD	SDX1 5/8	12.4X3B-SK	SKX1 7/16	BP76	3	821.2	24.52
15	850	5.2X3B-SD	SDX1 5/8	11.0X3B-SK	SKX1 7/16	BP73	3	860.6	24.5
		6.2X2B-SDS	SDSX1 5/8	13.6X2B-SK	SKX1 7/16	BX79	2	825.8	24.57
		6.4X2B-SDS	SDSX1 5/8	13.6X2B-SK	SKX1 7/16	BX80	2	850.8	24.93
15	900	6.8X2B-SDS	SDSX1 5/8	13.6X2B-SK	SKX1 7/16	BP80	2	900.7	24.64
		6.0X2B-SDS	SDSX1 5/8	12.4X2B-SK	SKX1 7/16	BX77	2	875.8	24.74
		6.2X2B-SDS	SDSX1 5/8	12.4X2B-SK	SKX1 7/16	BX77	2	903.2	24.59
15	950	6.4X2B-SDS	SDSX1 5/8	12.4X2B-SK	SKX1 7/16	BX77	2	930.5	24.45
		6.6X2B-SDS	SDSX1 5/8	12.4X2B-SK	SKX1 7/16	BX78	2	957.8	24.8
		4.6X3B-SD	SDX1 5/8	8.6X3B-SK	SKX1 7/16	BX68	3	973.3	24.45
15	1000	6.8X2B-SDS	SDSX1 5/8	12.4X2B-SK	SKX1 7/16	BP78	2	985.1	24.66
		5.2X3B-SD	SDX1 5/8	9.4X3B-SK	SKX1 7/16	BP71	3	1000.9	24.84
		7.0X2B-SK	SKX1 5/8	12.4X2B-SK	SKX1 7/16	BP78	2	1012.4	24.51

TABLE 14 - EXHAUST FAN DRIVES (CONT'D)

MTR HP	NOM RPM	MOTOR PULLEY*	MOTOR PULLEY BUSHING*	BLOWER PULLEY*	BLOWER PULLEY BUSHING	BELT*	BELT QTY	DRIVE SPEED (RPM)	DRIVE CENTER DIST
20	700	5.2X4B-SD	SDX1 5/8	13.6X4B-SK	SKX1 7/16	BP78	4	700.9	24.77
		4.6X4B-SD	SDX1 5/8	12.4X4B-SK	SKX1 7/16	BX75	4	684.6	24.74
		5.8X3B-SD	SDX1 5/8	15.4X3B-SK	SKX1 7/16	BX82	3	687.5	24.78
20	750	5.2X4B-SD	SDX1 5/8	12.4X4B-SK	SKX1 7/16	BP76	4	766.6	24.81
		5.6X3B-SD	SDX1 5/8	13.6X3B-SK	SKX1 7/16	BX78	3	750.9	24.49
		6.4X3B-SD	SDX1 5/8	15.4X3B-SK	SKX1 7/16	BP83	3	753.9	24.87
20	800	5.6X3B-SD	SDX1 5/8	12.4X3B-SK	SKX1 7/16	BX76	3	821.2	24.52
		5.4X4B-SD	SDX1 5/8	12.4X4B-SK	SKX1 7/16	BP76	4	793.9	24.67
		5.6X4B-SD	SDX1 5/8	12.4X4B-SK	SKX1 7/16	BP76	4	821.2	24.52
20	850	6.2X3B-SD	SDX1 5/8	13.6X3B-SK	SKX1 7/16	BP79	3	825.8	24.57
		6.4X3B-SD	SDX1 5/8	13.6X3B-SK	SKX1 7/16	BP80	3	850.8	24.93
		5.2X4B-SD	SDX1 5/8	11.0X4B-SK	SKX1 7/16	BP73	4	860.6	24.5
20	900	6.2X3B-SD	SDX1 5/8	12.4X3B-SK	SKX1 7/16	BP77	3	903.2	24.59
		5.4X3B-SD	SDX1 5/8	11.0X3B-SK	SKX1 7/16	BX74	3	891.3	24.86
		5.6X3B-SD	SDX1 5/8	11.0X3B-SK	SKX1 7/16	BX74	3	921.9	24.71
20	950	6.4X3B-SD	SDX1 5/8	12.4X3B-SK	SKX1 7/16	BP77	3	930.5	24.45
		6.6X3B-SD	SDX1 5/8	12.4X3B-SK	SKX1 7/16	BP78	3	957.8	24.8
		5.8X3B-SD	SDX1 5/8	11.0X3B-SK	SKX1 7/16	BX74	3	952.6	24.56
20	1000	6.2X3B-SD	SDX1 5/8	11.0X3B-SK	SKX1 7/16	BP75	3	1013.9	24.77
		7.4X2B-SK	SKX1 5/8	13.6X2B-SK	SKX1 7/16	BX81	2	975.7	24.71
		6.8X3B-SD	SDX1 5/8	12.4X3B-SK	SKX1 7/16	BP78	3	985.1	24.66

TABLE 15 - EXHAUST HOOD PARTS

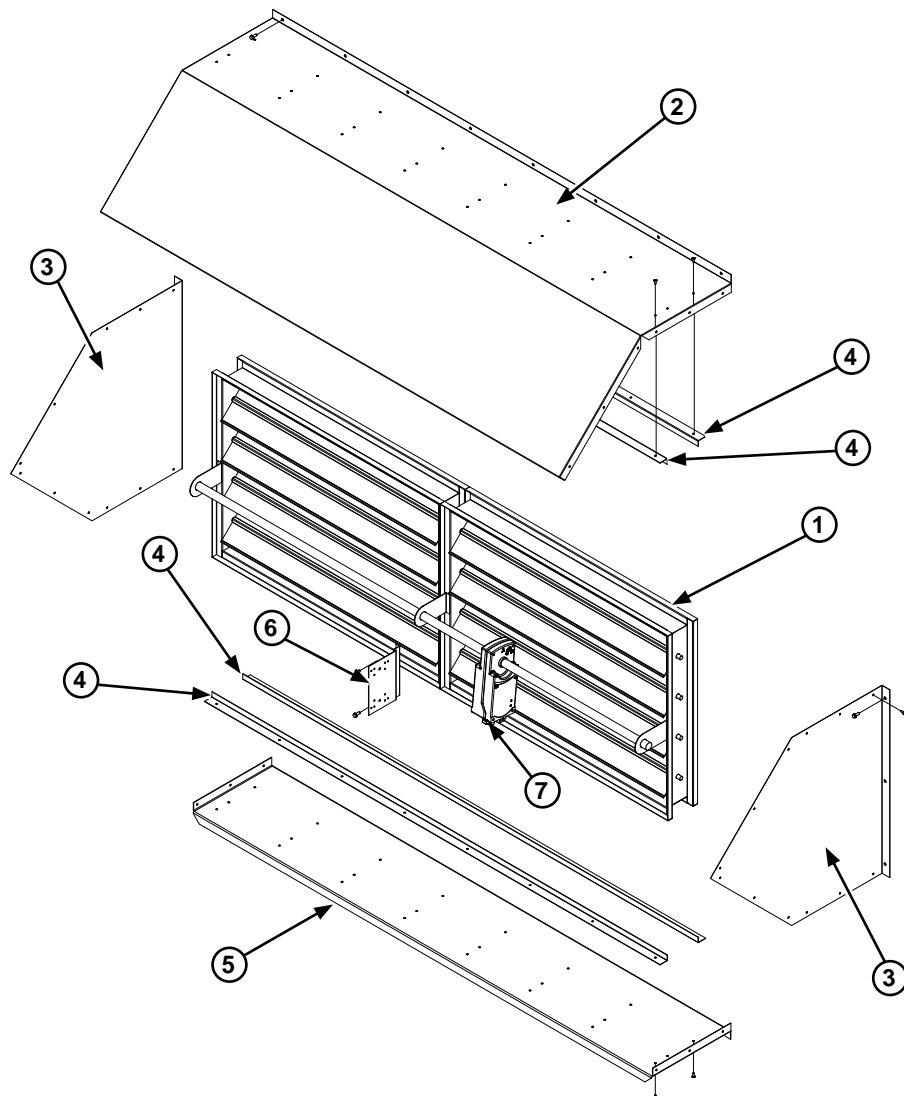
FIG	ITEM	DESCRIPTION	PART NUMBER	QTY
11	2	EXHAUST HOOD TOP	085-10000-115	1
11	3	EXHAUST HOOD SIDE	085-10000-116	2
11	4	EXHAUST HOOD SUPPORT	085-10000-118	4
11	5	EXHAUST HOOD BOTTOM	085-10000-117	1

TABLE 16 - BAROMETRIC EXHAUST DAMPER

FIG	ITEM	DESCRIPTION	PART NUMBER	QTY
11	1	BAROMETRIC DAMPER ASSEMBLY	026-40702-000	1

TABLE 17 - MOTOR DRIVEN EXHAUST DAMPER

FIG	ITEM	DESCRIPTION	PART NUMBER	QTY
11	1	DAMPER ASSEMBLY	026-40701-000	1
11	6	ACTUATOR BRACKET	085-10000-119	1
11	7	DAMPER ACTUATOR	025-36583-000	1



LD14371

FIG. 11 - EXHAUST HOOD AND EXHAUST DAMPER

TABLE 18 - RETURN FAN WITH 1 INCH ISOLATOR SPRINGS

FIG	ITEM	MTR HP	PART NUMBER	COLOR
12	4	5	029-21363-002	BLUE/PINK
12	5	5	029-21363-003	BLUE/BLACK
12	6	5	029-21363-002	BLUE/PINK
12	7	5	029-21393-002	BLUE/PINK
12	8	5	029-21363-002	BLUE/PINK
12	9	5	029-21363-003	BLUE/BLACK
12	4	7.5	029-21363-002	BLUE/PINK
12	5	7.5	029-21363-004	BLUE/BLUE
12	6	7.5	029-21363-002	BLUE/PINK
12	7	7.5	029-21393-002	BLUE/PINK
12	8	7.5	029-21363-002	BLUE/PINK
12	9	7.5	029-21363-004	BLUE/BLUE
12	4	10	029-21363-002	BLUE/PINK
12	5	10	029-21363-004	BLUE/BLUE
12	6	10	029-21363-002	BLUE/PINK
12	7	10	029-21393-003	BLUE/BLACK
12	8	10	029-21363-002	BLUE/PINK
12	9	10	029-21363-004	BLUE/BLUE
12	4	15	029-21363-002	BLUE/PINK
12	5	15	029-21363-005	BLACK
12	6	15	029-21363-002	BLUE/PINK
12	7	15	029-21393-005	BLACK
12	8	15	029-21363-002	BLUE/PINK
12	9	15	029-21363-005	BLACK

TABLE 19 - RETURN FAN WITH 2 INCH ISOLATOR SPRINGS

FIG	ITEM	MTR HP	PART NUMBER	COLOR
12	4	5	029-21330-603	BLACK
12	5	5	029-21330-603	BLACK
12	6	5	029-21330-602	YELLOW
12	7	5	029-21330-602	YELLOW
12	8	5	029-21330-603	BLACK
12	9	5	029-21330-603	BLACK
12	4	7.5	029-21330-603	BLACK
12	5	7.5	029-21330-614	GREEN
12	6	7.5	029-21330-602	YELLOW
12	7	7.5	029-21330-603	BLACK
12	8	7.5	029-21330-603	BLACK
12	9	7.5	029-21330-614	GREEN
12	4	10	029-21330-603	BLACK
12	5	10	029-21330-614	GREEN
12	6	10	029-21330-602	YELLOW
12	7	10	029-21330-614	GREEN
12	8	10	029-21330-603	BLACK

TABLE 19 - RETURN FAN WITH 2 INCH ISOLATOR SPRINGS (CONT'D)

FIG	ITEM	MTR HP	PART NUMBER	COLOR
12	9	10	029-21330-614	GREEN
12	4	15	029-21330-603	BLACK
12	5	15	029-21330-616	RED
12	6	15	029-21330-603	BLACK
12	7	15	029-21330-616	RED
12	8	15	029-21330-603	BLACK
12	9	15	029-21330-616	RED

TABLE 20 - RETURN FAN MOTORS

FIG	ITEM	MTR HP	VOLTAGE	OPEN DRIP PROOF HIGH EFFICIENCY	OPEN DRIP PROOF PREMIUM EFFICIENCY	TOTALLY ENCLOSED FAN COOLED HIGH EFFICIENCY	TOTALLY ENCLOSED FAN COOLED PREMIUM EFFICIENCY
12	1	5	208/230-3-60	024-23929-000	024-27057-000	024-23915-000	024-27084-000
12	1	5	460-3-60	024-23929-000	024-27057-000	024-23915-000	024-27084-000
12	1	5	575-3-60	024-27009-000	024-27371-000	024-27041-000	024-27343-000
12	1	7.5	208/230-3-60	024-23930-000	024-27059-000	024-23916-000	024-27086-000
12	1	7.5	460-3-60	024-23930-000	024-27059-000	024-23916-000	024-27086-000
12	1	7.5	575-3-60	024-27010-000	024-27372-000	024-27042-000	024-27345-000
12	1	10	208/230-3-60	024-23931-000	024-27062-000	024-23917-000	024-27088-000
12	1	10	460-3-60	024-23931-000	024-27062-000	024-23917-000	024-27088-000
12	1	10	575-3-60	024-27011-000	024-27373-000	024-27043-000	024-27347-000
12	1	15	208/230-3-60	024-23932-000	024-27064-000	024-23918-000	024-27090-000
12	1	15	460-3-60	024-23932-000	024-27064-000	024-23918-000	024-27090-000
12	1	15	575-3-60	024-27012-000	024-27374-000	024-2738-000	024-27349-000

TABLE 21 - RETURN FAN BLOWER ASSEMBLIES

FIG	ITEM	SIZE	ROTATION	CLASS	ASSEMBLY PART NUMBER	WHEEL PART NUMBER	BEARING PART NUMBER	SHAFT PART NUMBER
12	2	245	CCW	1	026-40562-001	026-40659-000	029-22072-000	029-22073-000
12	3	245	CW	1	026-40562-000	026-40658-000	029-22072-000	029-22073-000

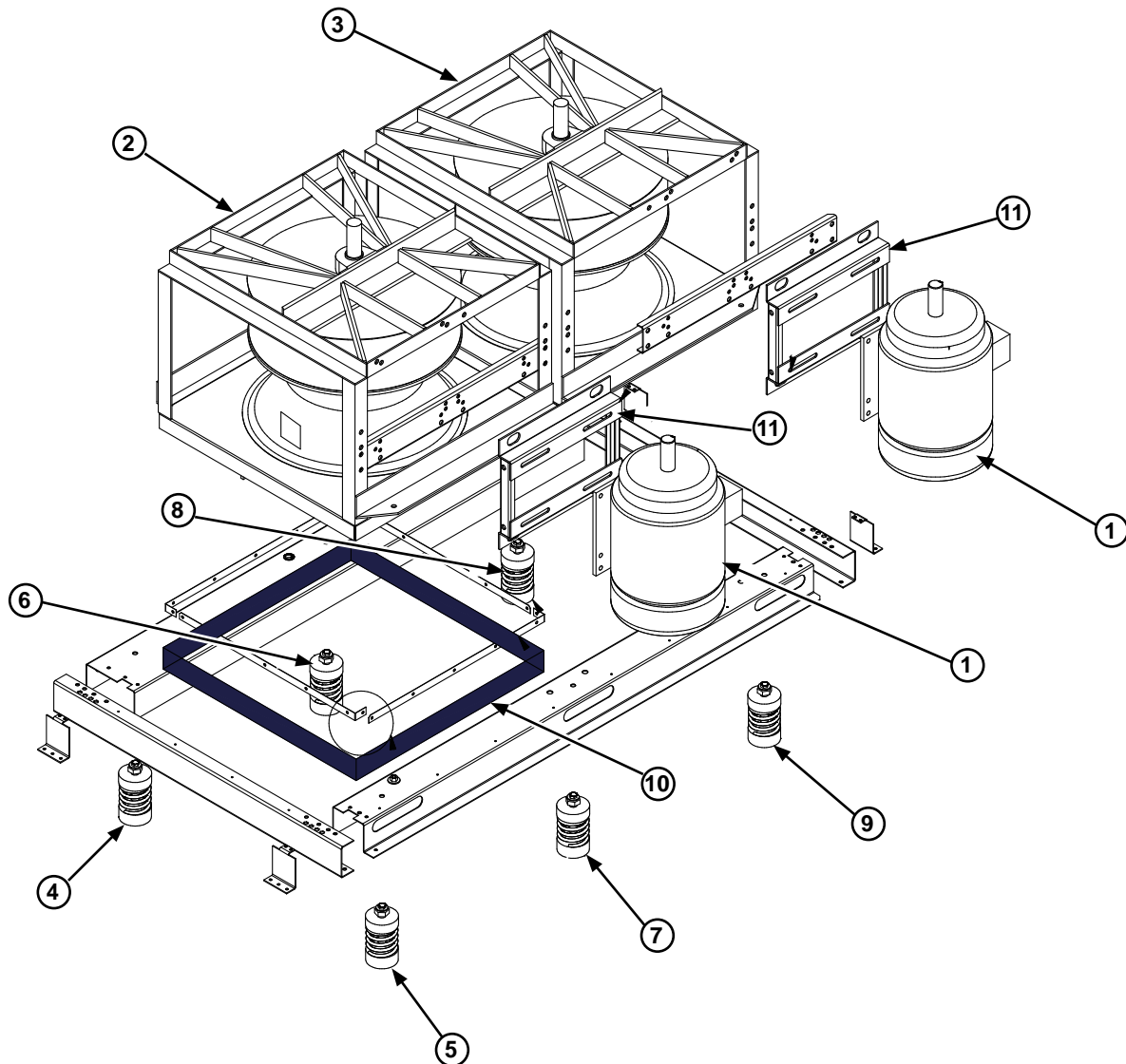
FIG	ITEM	QTY	DESCRIPTION	PART NUMBER
12	10	10 FT*	FLEX DUCT	026-30458-000

* 10 ft per fan

TABLE 22 - RETURN FAN MOTOR MOUNTING PLATE

FIG	ITEM	MOTOR HP	PART NUMBER
12	11	5	026-33799-184
12	11	7.5	026-33799-213
12	11	10	026-33799-215
12	11	15	026-33799-254

Two mounting plates required per unit



LD14363

FIG. 12 - RETURN FANS

TABLE 23 - RETURN FAN DRIVES

MTR HP	NOM RPM	MOTOR PULLEY*	MOTOR PULLEY BUSHING*	BLOWER PULLEY*	BLOWER PULLEY BUSHING	BELT QTY	BELT*	DRIVE SPEED (RPM)	DRIVE CENTER DIST
5	1000	4.8X1B-SDS	SDSX1 1/8	8.6X1B-SDS	SDSX1 11/16	1	BX65	1012	22.79
		5.2X1B-SDS	SDSX1 1/8	9.4X1B-SDS	SDSX1 11/16	1	BX67	1001	22.83
		6.2X1B-SDS	SDSX1 1/8	11.0X1B-SDS	SDSX1 11/16	1	AX72	976	23.01
5	1100	4.8X1B-SDS	SDSX1 1/8	8.0X1B-SDS	SDSX1 11/16	1	BX64	1084	22.79
		5.0X1B-SDS	SDSX1 1/8	8.0X1B-SDS	SDSX1 11/16	1	BX64	1126	22.64
		5.2X1B-SDS	SDSX1 1/8	8.6X1B-SDS	SDSX1 11/16	1	BX66	1090	22.99
5	1200	4.8X1B-SDS	SDSX1 1/8	7.0X1B-SDS	SDSX1 11/16	1	BX62	1231	22.60
		4.8X1B-SDS	SDSX1 1/8	7.4X1B-SDS	SDSX1 11/16	1	BX63	1168	22.78
		5.0X1B-SDS	SDSX1 1/8	7.4X1B-SDS	SDSX1 11/16	1	BX63	1212	22.62
5	1300	4.8X1B-SDS	SDSX1 1/8	6.6X1B-SDS	SDSX1 11/16	1	BX62	1301	22.92
		4.8X1B-SDS	SDSX1 1/8	6.8X1B-SDS	SDSX1 11/16	1	BX62	1265	22.76
		5.0X1B-SDS	SDSX1 1/8	6.8X1B-SDS	SDSX1 11/16	1	BX62	1313	22.61
5	1400	4.8X1B-SDS	SDSX1 1/8	6.0X1B-SDS	SDSX1 11/16	1	BX61	1423	22.90
		4.8X1B-SDS	SDSX1 1/8	6.2X1B-SDS	SDSX1 11/16	1	BX61	1380	22.74
		5.0X1B-SDS	SDSX1 1/8	6.2X1B-SDS	SDSX1 11/16	1	BX62	1432	23.09
5	1500	4.8X1B-SDS	SDSX1 1/8	5.6X1B-SDS	SDSX1 11/16	1	BX60	1517	22.72
		4.8X1B-SDS	SDSX1 1/8	5.8X1B-SDS	SDSX1 11/16	1	BX61	1468	23.06
		5.0X1B-SDS	SDSX1 1/8	5.8X1B-SDS	SDSX1 11/16	1	BX61	1525	22.91
5	1600	4.8X1B-SDS	SDSX1 1/8	5.4X1B-SDS	SDSX1 11/16	1	BX60	1569	22.88
		5.0X1B-SDS	SDSX1 1/8	5.4X1B-SDS	SDSX1 11/16	1	BX60	1630	22.73
		5.0X1B-SDS	SDSX1 1/8	5.6X1B-SDS	SDSX1 11/16	1	BX61	1575	23.07
5	1700	5.0X1B-SDS	SDSX1 1/8	5.0X1B-SDS	SDSX1 11/16	1	BX60	1750	23.04
		5.0X1B-SDS	SDSX1 1/8	5.2X1B-SDS	SDSX1 11/16	1	BX60	1688	22.88
		5.2X1B-SDS	SDSX1 1/8	5.2X1B-SDS	SDSX1 11/16	1	BX60	1750	22.73
5	1800	5.0X1B-SDS	SDSX1 1/8	4.8X1B-SDS	SDSX1 11/16	1	BX59	1817	22.70
		5.0X1B-SDS	SDSX1 1/8	5.0X1B-SDS	SDSX1 11/16	1	BX60	1750	23.04
		5.2X1B-SDS	SDSX1 1/8	5.0X1B-SDS	SDSX1 11/16	1	BX60	1815	22.88
5	1900	5.2X1B-SDS	SDSX1 1/8	4.8X1B-SDS	SDSX1 11/16	1	BX60	1884	23.04
		5.4X1B-SDS	SDSX1 1/8	4.8X1B-SDS	SDSX1 11/16	1	BX60	1951	22.88
		5.4X1B-SDS	SDSX1 1/8	5.0X1B-SDS	SDSX1 11/16	1	BX60	1879	22.73
5	2000	5.2X1B-SDS	SDSX1 1/8	4.6X1B-SDS	SDSX1 11/16	1	BX59	1959	22.70
		5.4X1B-SDS	SDSX1 1/8	4.6X1B-SDS	SDSX1 11/16	1	BX60	2029	23.04
		5.4X1B-SDS	SDSX1 1/8	4.8X1B-SDS	SDSX1 11/16	1	BX60	1951	22.88
7.5	1000	6.2X1B-SDS	SDSX1 3/8	11.0X1B-SDS	SDSX1 11/16	1	BX73	1014	23.76
		6.8X1B-SDS	SDSX1 3/8	12.4X1B-SDS	SDSX1 11/16	1	BX76	985	23.65
		4.0X2B-SH	SHX1 3/8	7.4X2B-SK	SKX1 11/16	2	BX63	988	23.38
7.5	1100	6.6X1B-SDS	SDSX1 3/8	11.0X1B-SDS	SDSX1 11/16	1	BX73	1075	23.47
		6.8X1B-SDS	SDSX1 3/8	11.0X1B-SDS	SDSX1 11/16	1	BX73	1106	23.32
		4.0X2B-SH	SHX1 3/8	6.6X2B-SDS	SDSX1 11/16	2	BX62	1101	23.53

* T B Woods Part Numbers

TABLE 23 - RETURN FAN DRIVES (CONT'D)

MTR HP	NOM RPM	MOTOR PULLEY*	MOTOR PULLEY BUSHING*	BLOWER PULLEY*	BLOWER PULLEY BUSHING	BELT QTY	BELT*	DRIVE SPEED (RPM)	DRIVE CENTER DIST
7.5	1200	6.2X1B-SDS	SDSX1 3/8	9.4X1B-SDS	SDSX1 11/16	1	BX70	1179	23.59
		6.4X1B-SDS	SDSX1 3/8	9.4X1B-SDS	SDSX1 11/16	1	BX70	1215	23.44
		4.0X2B-SH	SHX1 3/8	6.0X2B-SDS	SDSX1 11/16	2	BX61	1204	23.52
7.5	1300	6.2X1B-SDS	SDSX1 3/8	8.6X1B-SDS	SDSX1 11/16	1	BX69	1284	23.74
		6.4X1B-SDS	SDSX1 3/8	8.6X1B-SDS	SDSX1 11/16	1	BX69	1323	23.59
		6.8X1B-SDS	SDSX1 3/8	9.4X1B-SDS	SDSX1 11/16	1	BX71	1286	23.64
7.5	1400	6.2X1B-SDS	SDSX1 3/8	8.0X1B-SDS	SDSX1 11/16	1	BX68	1376	23.73
		6.4X1B-SDS	SDSX1 3/8	8.0X1B-SDS	SDSX1 11/16	1	BX68	1417	23.57
		6.6X1B-SDS	SDSX1 3/8	8.6X1B-SDS	SDSX1 11/16	1	BX69	1362	23.44
7.5	1500	6.2X1B-SDS	SDSX1 3/8	7.4X1B-SDS	SDSX1 11/16	1	BX67	1481	23.71
		6.4X1B-SDS	SDSX1 3/8	7.4X1B-SDS	SDSX1 11/16	1	BX67	1526	23.55
		6.6X1B-SDS	SDSX1 3/8	8.0X1B-SDS	SDSX1 11/16	1	BX68	1459	23.42
7.5	1600	6.2X1B-SDS	SDSX1 3/8	7.0X1B-SDS	SDSX1 11/16	1	BX66	1561	23.52
		6.4X1B-SDS	SDSX1 3/8	7.0X1B-SDS	SDSX1 11/16	1	BX66	1608	23.37
		6.6X1B-SDS	SDSX1 3/8	7.4X1B-SDS	SDSX1 11/16	1	BX67	1571	23.40
7.5	1700	6.4X1B-SDS	SDSX1 3/8	6.4X1B-SDS	SDSX1 11/16	1	BX65	1750	23.34
		6.4X1B-SDS	SDSX1 3/8	6.6X1B-SDS	SDSX1 11/16	1	BX66	1700	23.68
		6.4X1B-SDS	SDSX1 3/8	6.8X1B-SDS	SDSX1 11/16	1	BX66	1653	23.53
7.5	1800	6.4X1B-SDS	SDSX1 3/8	6.2X1B-SDS	SDSX1 11/16	1	BX65	1803	23.50
		6.4X1B-SDS	SDSX1 3/8	6.4X1B-SDS	SDSX1 11/16	1	BX65	1750	23.34
		6.6X1B-SDS	SDSX1 3/8	6.4X1B-SDS	SDSX1 11/16	1	BX66	1801	23.68
7.5	1900	6.6X1B-SDS	SDSX1 3/8	6.0X1B-SDS	SDSX1 11/16	1	BX65	1914	23.50
		6.6X1B-SDS	SDSX1 3/8	6.2X1B-SDS	SDSX1 11/16	1	BX65	1856	23.34
		6.8X1B-SDS	SDSX1 3/8	6.2X1B-SDS	SDSX1 11/16	1	BX66	1909	23.68
7.5	2000	6.8X1B-SDS	SDSX1 3/8	5.8X1B-SDS	SDSX1 11/16	1	BX65	2032	23.49
		6.8X1B-SDS	SDSX1 3/8	6.0X1B-SDS	SDSX1 11/16	1	BX65	1968	23.34
		7.0X1B-SDS	SDSX1 3/8	6.0X1B-SDS	SDSX1 11/16	1	BX66	2023	23.68
10	1000	4.8X2B-SDS	SDSX1 3/8	8.6X2B-SK	SKX1 11/16	2	BX67	1012	23.79
		5.2X2B-SDS	SDSX1 3/8	9.4X2B-SK	SKX1 11/16	2	BX68	1001	23.33
		4.8X2B-SDS	SDSX1 3/8	8.6X2LB-SF	SFX1 11/16	2	BX67	1012	23.79
10	1100	4.8X2B-SDS	SDSX1 3/8	8.0X2B-SK	SKX1 11/16	2	BX66	1084	23.79
		5.0X2B-SDS	SDSX1 3/8	8.0X2B-SK	SKX1 11/16	2	BX66	1126	23.64
		8.6X1B-SDS	SDSX1 3/8	13.6X1B-SDS	SDSX1 11/16	1	BX80	1126	23.33
10	1200	4.8X2B-SDS	SDSX1 3/8	7.0X2B-SK	SKX1 11/16	2	BX64	1231	23.60
		8.6X1B-SDS	SDSX1 3/8	12.4X1B-SDS	SDSX1 11/16	1	BX78	1231	23.32
		4.8X2B-SDS	SDSX1 3/8	7.4X2B-SK	SKX1 11/16	2	BX65	1168	23.78
10	1300	4.8X2B-SDS	SDSX1 3/8	6.8X2LB-SF	SFX2 11/16	2	BX64	1265	23.76
		5.0X2B-SDS	SDSX1 3/8	6.8X2LB-SF	SFX2 11/16	2	BX64	1313	23.61
		5.0X2B-SDS	SDSX1 3/8	7.0X2LB-SF	SFX2 11/16	2	BX64	1278	23.45

* T B Woods Part Numbers

TABLE 23 - RETURN FAN DRIVES (CONT'D)

MTR HP	NOM RPM	MOTOR PULLEY*	MOTOR PULLEY BUSHING*	BLOWER PULLEY*	BLOWER PULLEY BUSHING	BELT QTY	BELT*	DRIVE SPEED (RPM)	DRIVE CENTER DIST
10	1400	4.8X2B-SDS	SDSX1 3/8	6.0X2B-SDS	SDSX1 11/16	2	BX62	1423	23.40
		4.8X2B-SDS	SDSX1 3/8	6.2X2B-SDS	SDSX1 11/16	2	BX63	1380	23.75
		5.0X2B-SDS	SDSX1 3/8	6.2X2B-SDS	SDSX1 11/16	2	BX63	1432	23.59
10	1500	8.0X1B-SDS	SDSX1 3/8	9.4X1B-SDS	SDSX1 11/16	1	BX73	1500	23.72
		4.8X2B-SDS	SDSX1 3/8	5.6X2B-SDS	SDSX1 11/16	2	BX62	1517	23.72
		4.8X2B-SDS	SDSX1 3/8	5.8X2B-SDS	SDSX1 11/16	2	BX62	1468	23.56
10	1600	8.0X1B-SDS	SDSX1 3/8	8.6X1B-SDS	SDSX1 11/16	1	BX71	1634	23.36
		8.6X1B-SDS	SDSX1 3/8	9.4X1B-SDS	SDSX1 11/16	1	BX74	1607	23.75
		4.8X2B-SDS	SDSX1 3/8	5.4X2B-SDS	SDSX1 11/16	2	BX61	1569	23.38
10	1700	8.0X1B-SDS	SDSX1 3/8	8.0X1B-SDS	SDSX1 11/16	1	BX70	1750	23.33
		8.6X1B-SDS	SDSX1 3/8	8.6X1B-SDS	SDSX1 11/16	1	BX72	1750	23.39
		5.0X2B-SDS	SDSX1 3/8	5.0X2B-SDS	SDSX1 11/16	2	BX61	1750	23.54
10	1800	8.0X1B-SDS	SDSX1 3/8	8.0X1B-SDS	SDSX1 11/16	1	BX70	1750	23.33
		8.6X1B-SDS	SDSX1 3/8	8.6X1B-SDS	SDSX1 11/16	1	BX72	1750	23.39
		5.0X2B-SDS	SDSX1 3/8	4.8X2B-SDS	SDSX1 11/16	2	BX61	1817	23.70
10	1900	8.6X1B-SDS	SDSX1 3/8	8.0X1B-SDS	SDSX1 11/16	1	BX71	1875	23.36
		5.2X2B-SDS	SDSX1 3/8	4.8X2B-SDS	SDSX1 11/16	2	BX61	1884	23.54
		9.4X1B-SDS	SDSX1 3/8	8.6X1B-SDS	SDSX1 11/16	1	BX74	1905	23.75
10	2000	8.6X1B-SDS	SDSX1 3/8	7.4X1B-SDS	SDSX1 11/16	1	BX70	2019	23.32
		9.4X1B-SDS	SDSX1 3/8	8.0X1B-SDS	SDSX1 11/16	1	BX73	2041	23.72
		5.2X2B-SDS	SDSX1 3/8	4.6X2B-SDS	SDSX1 11/16	2	BX61	1959	23.70
15	1000	6.2X2B-SDS	SDSX1 5/8	11.0X2B-SK	SKX1 11/16	2	BX75	1014	24.77
		6.8X2B-SDS	SDSX1 5/8	12.4X2B-SK	SKX1 11/16	2	BX78	985	24.66
		6.2X2B-SDS	SDSX1 5/8	11.0X2LB-SF	SFX1 11/16	2	BX75	1014	24.77
15	1100	6.6X2B-SDS	SDSX1 5/8	11.0X2B-SK	SKX1 11/16	2	BX75	1075	24.47
		6.8X2B-SDS	SDSX1 5/8	11.0X2B-SK	SKX1 11/16	2	BX75	1106	24.32
		6.6X2B-SDS	SDSX1 5/8	11.0X2LB-SF	SFX1 11/16	2	BX75	1075	24.47
15	1200	6.2X2B-SDS	SDSX1 5/8	9.4X2B-SK	SKX1 11/16	2	BX72	1179	24.59
		6.4X2B-SDS	SDSX1 5/8	9.4X2B-SK	SKX1 11/16	2	BX72	1215	24.44
		6.2X2B-SDS	SDSX1 5/8	9.4X2LB-SF	SFX1 11/16	2	BX72	1179	24.59
15	1300	6.2X2B-SDS	SDSX1 5/8	8.6X2B-SK	SKX1 11/16	2	BX71	1284	24.74
		6.4X2B-SDS	SDSX1 5/8	8.6X2B-SK	SKX1 11/16	2	BX71	1323	24.59
		6.8X2B-SDS	SDSX1 5/8	9.4X2B-SK	SKX1 11/16	2	BX73	1286	24.64
15	1400	6.2X2B-SDS	SDSX1 5/8	8.0X2B-SK	SKX1 11/16	2	BX70	1376	24.73
		6.4X2B-SDS	SDSX1 5/8	8.0X2B-SK	SKX1 11/16	2	BX70	1417	24.57
		6.6X2B-SDS	SDSX1 5/8	8.6X2B-SK	SKX1 11/16	2	BX71	1362	24.44
15	1500	6.2X2B-SDS	SDSX1 5/8	7.4X2B-SK	SKX1 11/16	2	BX69	1481	24.71
		6.4X2B-SDS	SDSX1 5/8	7.4X2B-SK	SKX1 11/16	2	BX69	1526	24.55
		6.6X2B-SDS	SDSX1 5/8	8.0X2B-SK	SKX1 11/16	2	BX70	1459	24.42

* T B Woods Part Numbers

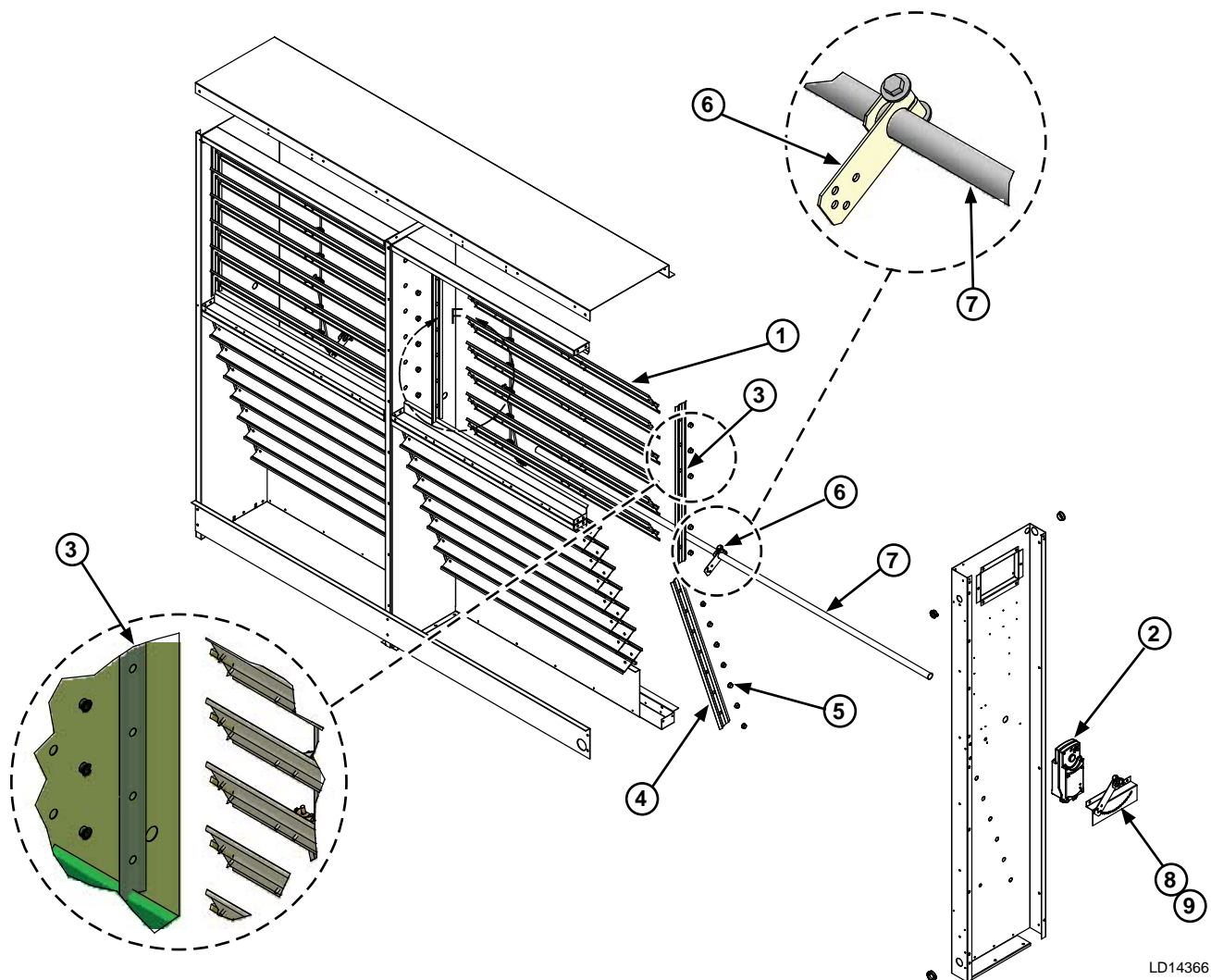
TABLE 23 - RETURN FAN DRIVES (CONT'D)

MTR HP	NOM RPM	MOTOR PULLEY*	MOTOR PULLEY BUSHING*	BLOWER PULLEY*	BLOWER PULLEY BUSHING	BELT QTY	BELT*	DRIVE SPEED (RPM)	DRIVE CENTER DIST
15	1600	6.2X2B-SDS	SDSX1 5/8	6.8X2B-SDS	SDSX1 11/16	2	BX68	1604	24.68
		6.2X2B-SDS	SDSX1 5/8	7.0X2B-SK	SKX1 11/16	2	BX68	1561	24.52
		6.4X2B-SDS	SDSX1 5/8	7.0X2B-SK	SKX1 11/16	2	BX68	1608	24.37
15	1700	6.4X2B-SDS	SDSX1 5/8	6.4X2B-SDS	SDSX1 11/16	2	BX67	1750	24.34
		6.4X2B-SDS	SDSX1 5/8	6.6X2B-SDS	SDSX1 11/16	2	BX68	1700	24.68
		6.4X2B-SDS	SDSX1 5/8	6.8X2B-SDS	SDSX1 11/16	2	BX68	1653	24.53
15	1800	6.4X2B-SDS	SDSX1 5/8	6.2X2B-SDS	SDSX1 11/16	2	BX67	1803	24.50
		6.4X2B-SDS	SDSX1 5/8	6.4X2B-SDS	SDSX1 11/16	2	BX67	1750	24.34
		6.6X2B-SDS	SDSX1 5/8	6.4X2B-SDS	SDSX1 11/16	2	BX68	1801	24.68
15	1900	6.6X2B-SDS	SDSX1 5/8	6.0X2B-SDS	SDSX1 11/16	2	BX67	1914	24.50
		6.6X2B-SDS	SDSX1 5/8	6.2X2B-SDS	SDSX1 11/16	2	BX67	1856	24.34
		6.8X2B-SDS	SDSX1 5/8	6.2X2B-SDS	SDSX1 11/16	2	BX68	1909	24.68
15	2000	6.6X2B-SDS	SDSX1 5/8	5.8X2B-SDS	SDSX1 11/16	2	BX67	1975	24.65
		6.8X2B-SDS	SDSX1 5/8	5.8X2B-SDS	SDSX1 11/16	2	BX67	2032	24.49
		6.8X2B-SDS	SDSX1 5/8	6.0X2B-SDS	SDSX1 11/16	2	BX67	1968	24.34

* T B Woods Part Numbers

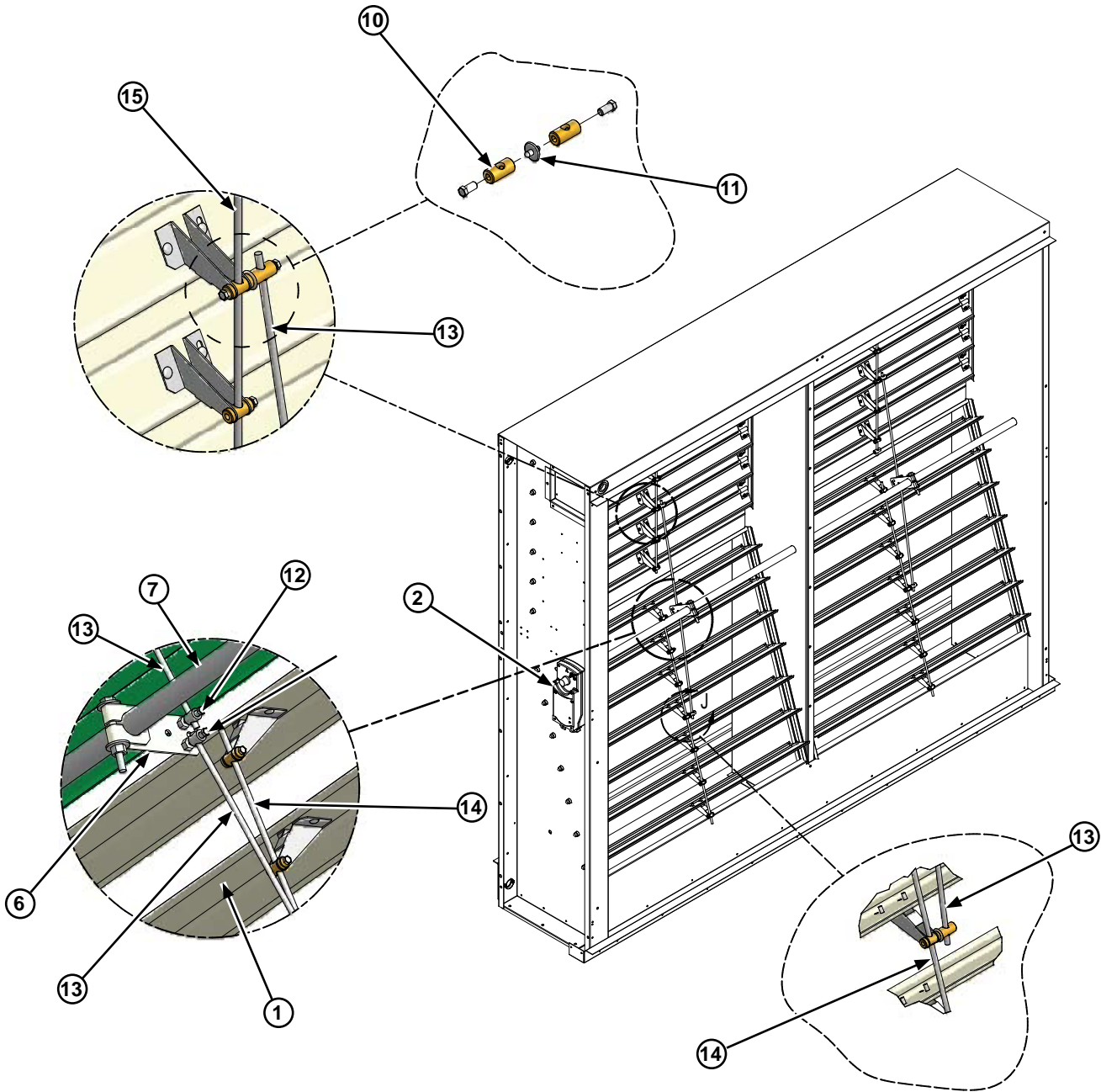
TABLE 24 - OUTDOOR/RETURN DAMPER ASSEMBLY

FIG	ITEM	DESCRIPTION	PART NUMBER	QTY
13, 14	1	DAMPER BLADE ASSEMBLY	385-10000-256	26
13, 14	2	DAMPER ACTUATOR	025-36583-000	1
13	3	SIDE SEAL 6 BLADE (OPTIONAL)	029-21187-100	4
13	4	SIDE SEAL 7 BLADE (OPTIONAL)	029-21187-101	4
13	5	SNAP BUSHING	025-33315-000	52
13, 14	6	CRANK ARM	026-45046-000	2
13, 14	7	JACKSHAFT	085-10000-031	1
13	8	CRANK ARM FIXED OUTDOOR AIR OPTION	026-45046-001	1
13	9	BRACKET MANUAL POSITION ARM	085-10000-013	1
14	10	BRASS PIVOT	029-18439-000	30
14	11	BRASS PIVOT CONNECTOR	029-18438-000	4
14	12	BALL JOINT LINKAGE	021-19574-000	4
14	13	ROD LINKAGE 1/4 X 16.5	085-10000-020	4
14	14	ROD LINKAGE 1/4 X 32.5	085-10000-022	2
14	15	ROD LINKAGE 1/4 X 27	085-10000-021	2



LD14366

FIG. 13 - OUTDOOR/RETURN DAMPER ASSEMBLY

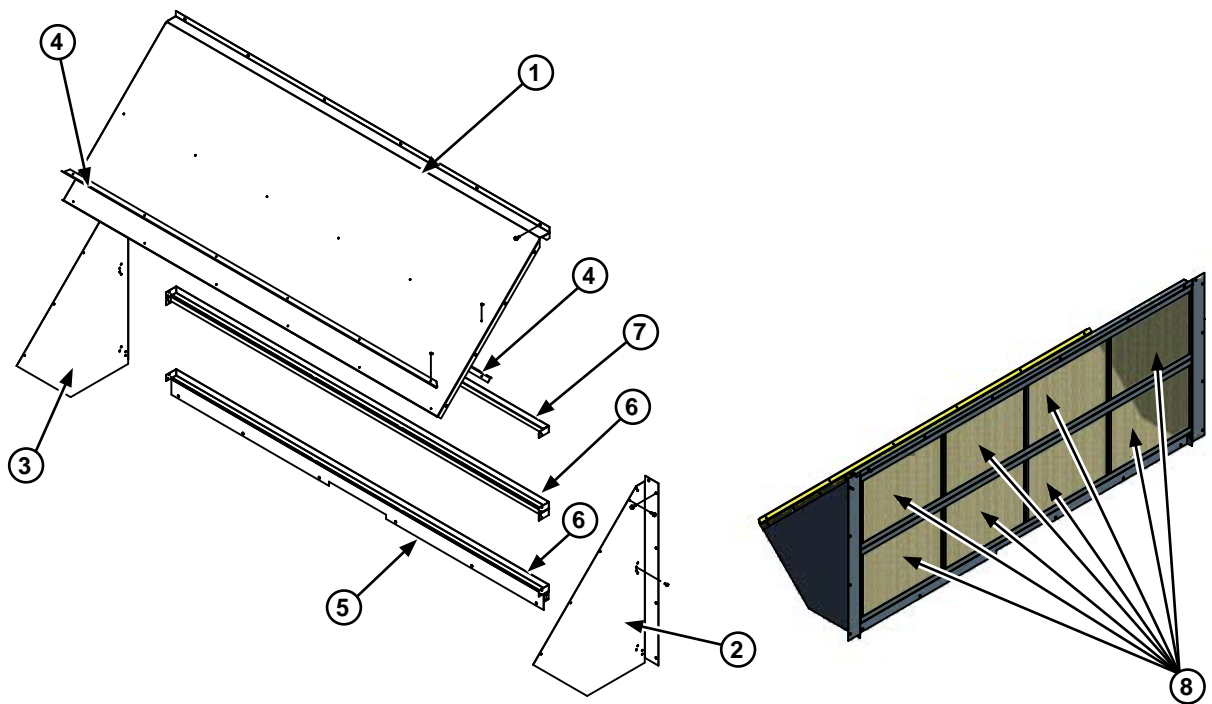


LD14367

FIG. 14 - OUTDOOR/RETURN DAMPER ASSEMBLY

TABLE 25 - ECONOMIZER END HOOD

FIG	ITEM	DESCRIPTION	PART NUMBER	QTY
15	1	TOP PANEL	085-10000-120	1
15	2	RH END PANEL	085-10000-121	1
15	3	LH END PANEL	085-10000-122	1
15	4	HOOD ANGLE BRACE	085-10000-125	2
15	5	FILTER SUPPORT	085-10000-123	1
15	6	FILTER TRACK	085-10000-124	2
15	7	TOP FILTER TRACK	085-10000-126	1
15	8	FILTER CLEANABLE 15 X 19	026-41366-004	8

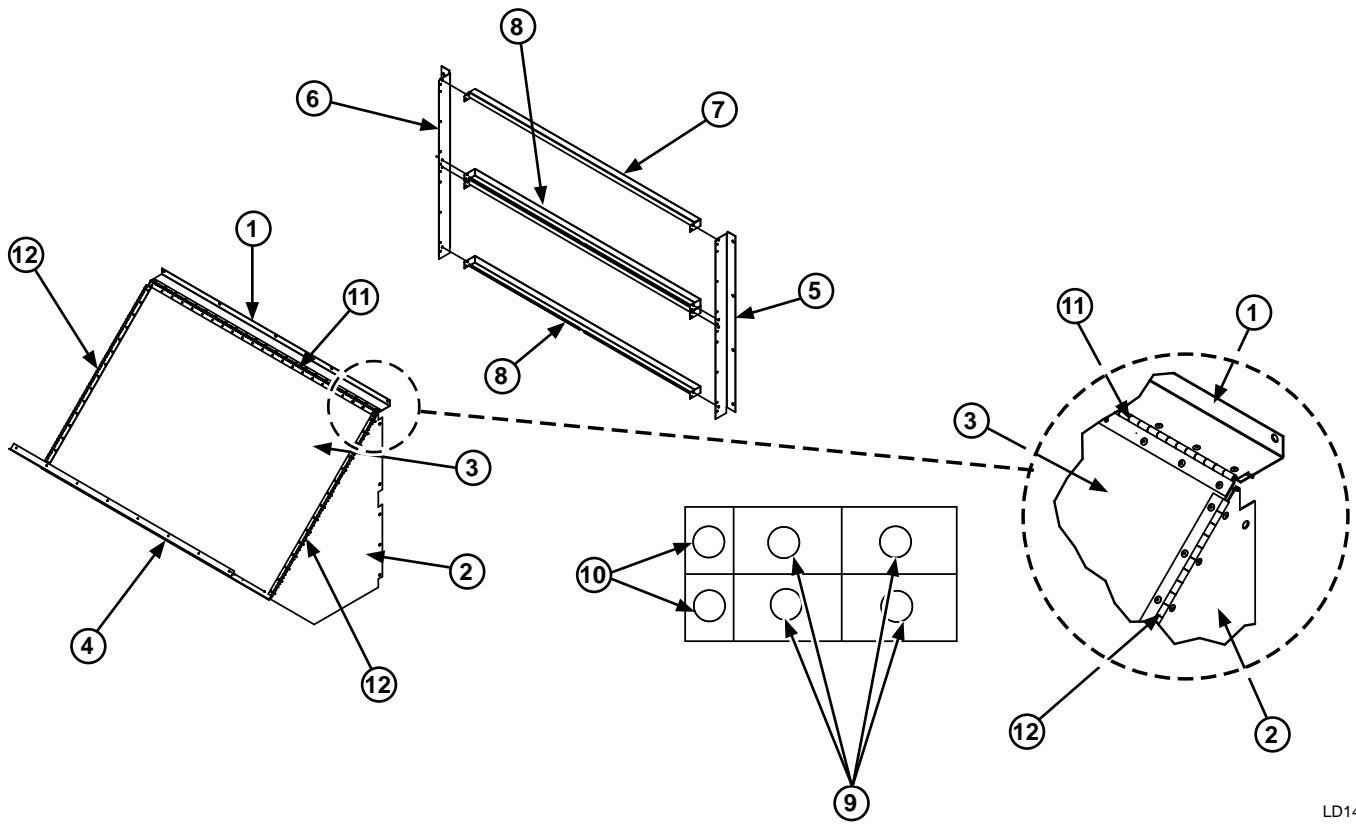


LD14368

FIG. 15 - ECONOMIZER END HOOD

TABLE 26 - ECONOMIZER SIDE HOOD

FIG	ITEM	DESCRIPTION	PART NUMBER	QTY
16	1	TOP	085-10000-110	1
16	2	SIDE	085-10000-111	2
16	3	FRONT	085-10000-112	1
16	4	SUPPORT	085-10000-113	1
16	5	HOOD TIE DOWN RH	085-10000-100	1
16	6	HOOD TIE DOWN LH	085-10000-101	1
16	7	TOP FILTER TRACK	085-10000-127	1
16	8	FILTER TRACK	085-10000-129	2
16	9	FILTER 15 X 20	026-41366-004	4
16	10	FILTER FILLER	085-10000-128	2
16	11	PIANO HINGE 45"	029-25167-002	1
16	12	PIANO HINGE 29"	029-25167-001	2

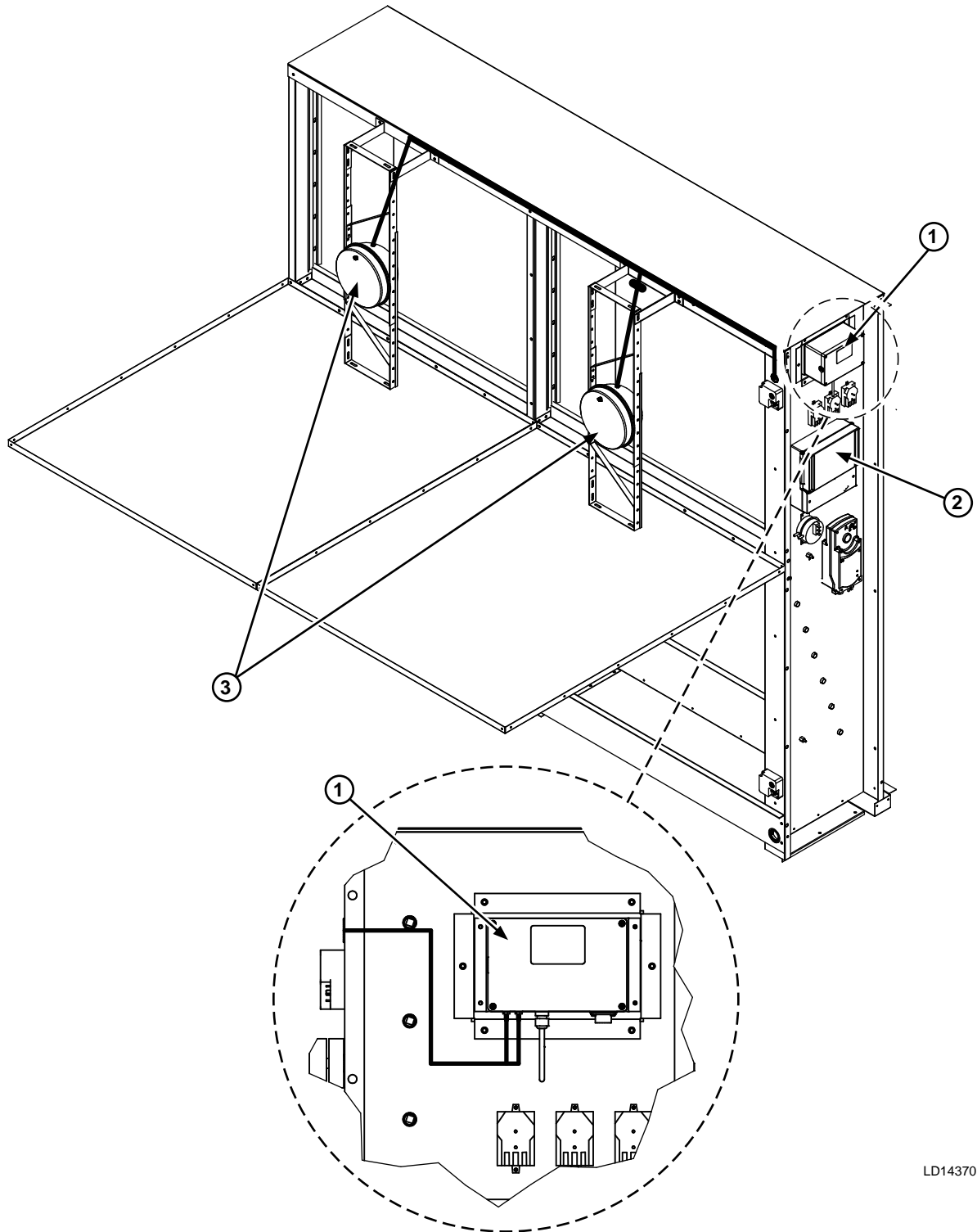


LD14369

FIG. 16 - ECONOMIZER SIDE HOOD

TABLE 27 - AIR MEASURING STATION

FIG	ITEM	DESCRIPTION	PART NUMBER	QTY
17	1	TRANSDUCER	025-36557-101	1
17	2	MONITOR	025-36556-000	1
17	3	PROBE	025-36559-000	2
NOT SHOWN		RELAY	025-36553 000	1
NOT SHOWN		RESISTOR 250 OHMS	025-36554-000	1



LD14370

FIG. 17 - AIR MEASURING STATION

TABLE 28 - FILTER ASSEMBLY 2 INCH THROWAWAY

FIG	ITEM	DESCRIPTION	PART NUMBER	QTY
18	1	FILTER TRACK ANGLE	085-10003-001	8
18	2	FILTER CHANNEL SUPPORT	085-10003-000	1
18	3	VERTICAL FILTER SUPPORT	085-10003-002	1
18	4	FILTER BLOCKOFF	085-10003-003	4
18	5	FILTER 24 X 24 X 2	026-32407-002	12
18	6	FILTER 12 X 24 X 2	026-32407-001	4

TABLE 29 - FILTER ASSEMBLY 2 INCH CLEANABLE

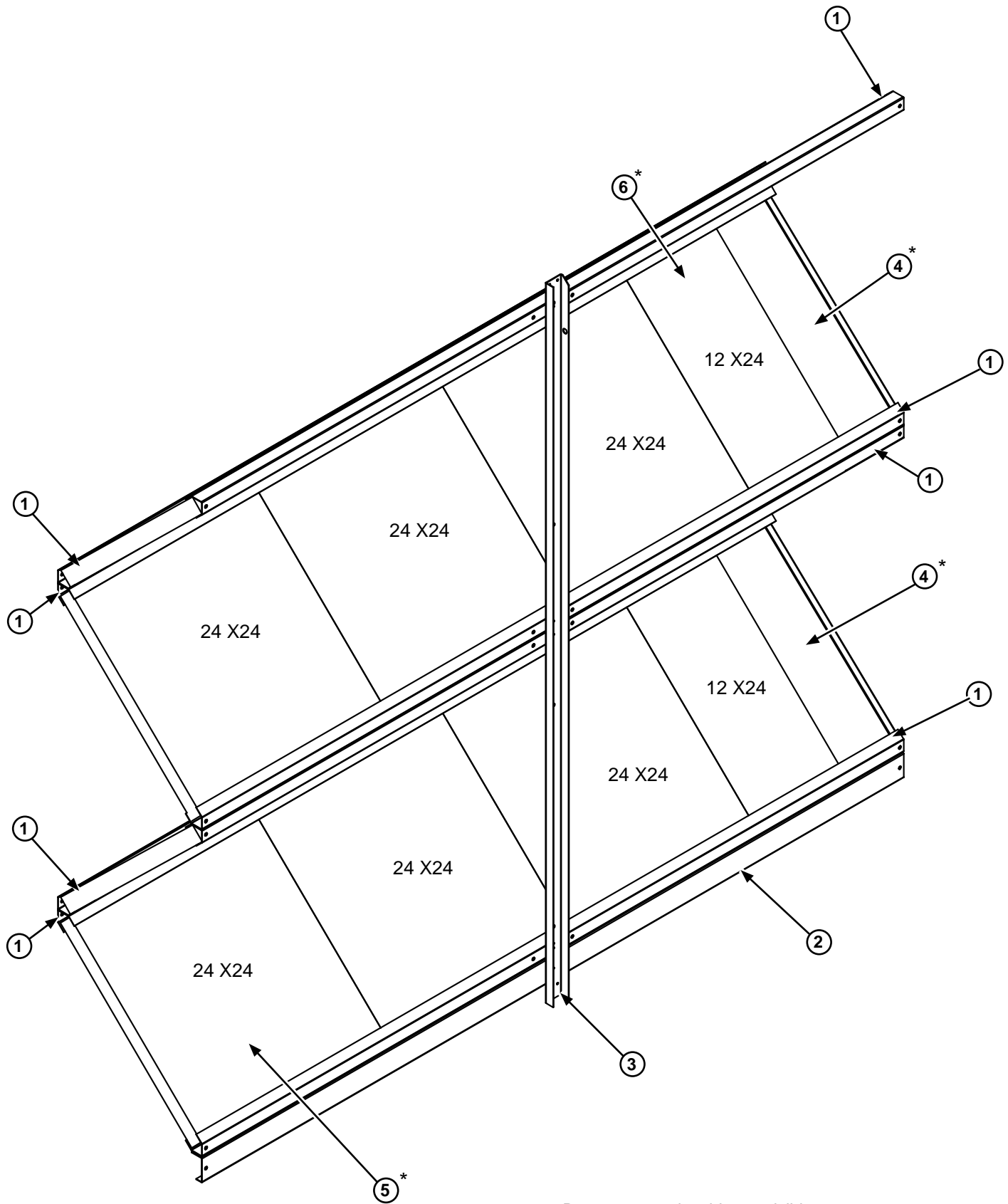
FIG	ITEM	DESCRIPTION	PART NUMBER	QTY
18	1	FILTER TRACK ANGLE	085-10003-001	8
18	2	FILTER CHANNEL SUPPORT	085-10003-000	1
18	3	VERTICAL FILTER SUPPORT	085-10003-002	1
18	4	FILTER BLOCKOFF	085-10003-003	4
18	5	FILTER 24 X 24 X 2	026-32408-002	12
18	6	FILTER 12 X 24 X 2	026-32408-001	4

TABLE 30 - FILTER ASSEMBLY 2 INCH 30%

FIG	ITEM	DESCRIPTION	PART NUMBER	QTY
18	1	FILTER TRACK ANGLE	085-10003-001	8
18	2	FILTER CHANNEL SUPPORT	085-10003-000	1
18	3	VERTICAL FILTER SUPPORT	085-10003-002	1
18	4	FILTER BLOCKOFF	085-10003-003	4
18	5	FILTER 24 X 24 X 2	026-32406-003	12
18	6	FILTER 12 X 24 X 2	026-32406-001	4

TABLE 31 - FILTER ASSEMBLY 2 INCH CARBON

FIG	ITEM	DESCRIPTION	PART NUMBER	QTY
18	1	FILTER TRACK ANGLE	085-10003-001	8
18	2	FILTER CHANNEL SUPPORT	085-10003-000	1
18	3	VERTICAL FILTER SUPPORT	085-10003-002	1
18	4	FILTER BLOCKOFF	085-10003-003	4
18	5	FILTER 24 X 24 X 2	026-36377-005	12
18	6	FILTER 12 X 24 X 2	026-36377-002	4



* Parts on opposite side not visible.

LD14372

FIG. 18 - ANGLE FILTER ASSEMBLIES

TABLE 32 - RIGID FILTER ASSEMBLY 12 INCH

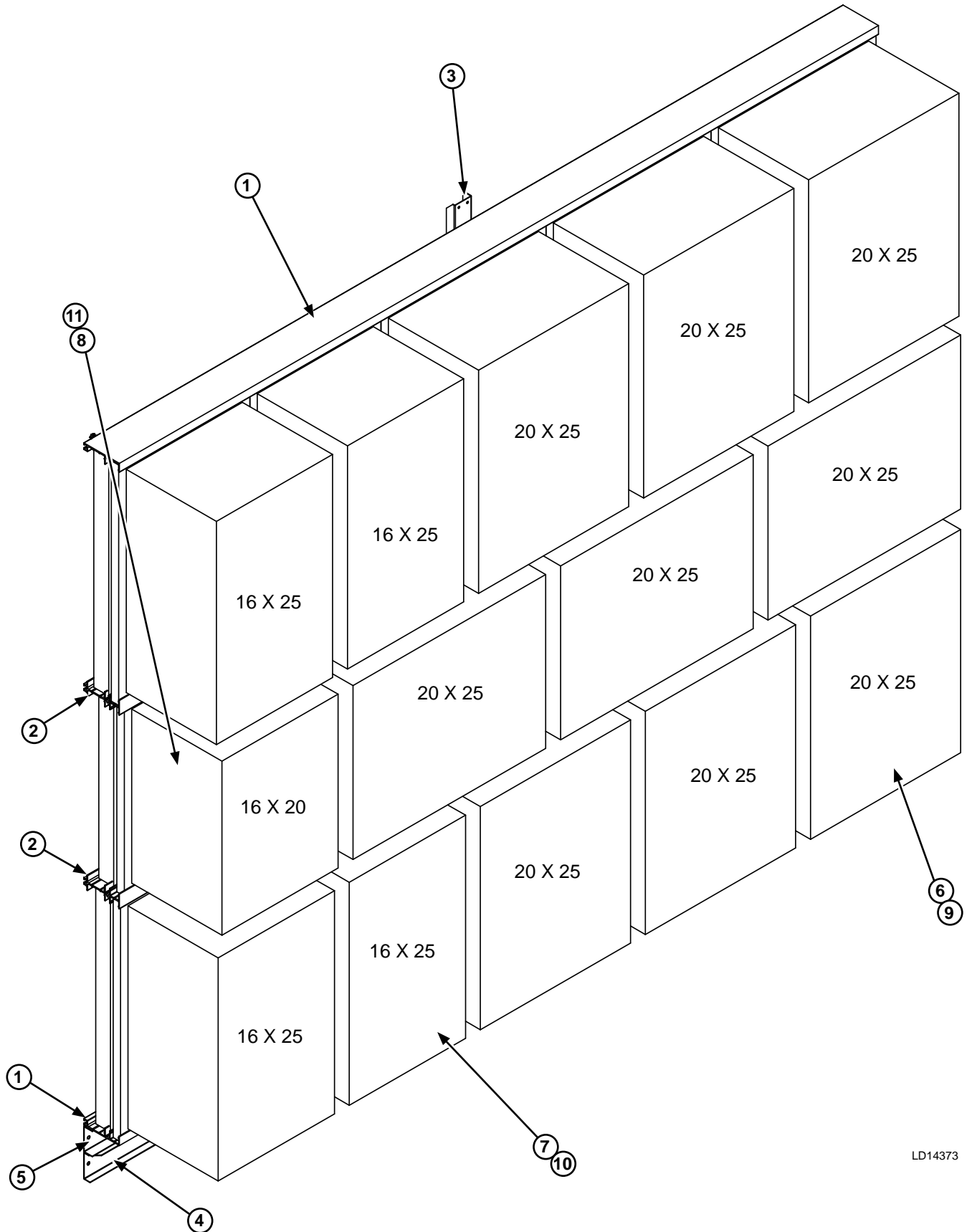
FIG	ITEM	DESCRIPTION	PART NUMBER	QTY
19	1	TOP & BTM FILTER TRACK	085-10003-010	2
19	2	FILTER TRACK	085-10003-011	2
19	3	VERTICAL FILTER SUPPORT	085-10003-002	1
19	4	CHANNEL FILTER SUPPORT	085-10003-000	1
19	5	RIGID FILTER FILLER	085-10003-004	1
19	6	FILTER 20 X 25 X 2	026-01730-000	9
19	7	FILTER 16 X 25 X 2	026-03616-000	4
19	8	FILTER 16 X 20 X 2	026-03617-000	1

TABLE 33 - RIGID FILTER ASSEMBLY 12 INCH 65% 30% PREFILTER

FIG	ITEM	DESCRIPTION	PART NUMBER	QTY
19	1	TOP & BTM FILTER TRACK	085-10003-010	2
19	2	FILTER TRACK	085-10003-011	2
19	3	VERTICAL FILTER SUPPORT	085-10003-002	1
19	4	CHANNEL FILTER SUPPORT	085-10003-000	1
19	5	RIGID FILTER FILLER	085-10003-004	1
19	6	FILTER 20 X 25 X 2	026-21065-000	9
19	7	FILTER 16 X 25 X 2	026-21064-000	4
19	8	FILTER 16 X 20 X 2	026-21062-000	1
19	9	FILTER 20 X 25 X 12	026-36379-000	9
19	10	FILTER 16 X 25 X 12	026-36340-010	4
19	11	FILTER 16 X 20 X 12	026-36340-009	1

TABLE 34 - RIGID FILTER ASSEMBLY 12 INCH 95% 30% PREFILTER

FIG	ITEM	DESCRIPTION	PART NUMBER	QTY
19	1	TOP & BTM FILTER TRACK	085-10003-010	2
19	2	FILTER TRACK	085-10003-011	2
19	3	VERTICAL FILTER SUPPORT	085-10003-002	1
19	4	CHANNEL FILTER SUPPORT	085-10003-000	1
19	5	RIGID FILTER FILLER	085-10003-004	1
19	6	FILTER 20 X 25 X 2	026-21065-000	9
19	7	FILTER 16 X 25 X 2	026-21064-000	4
19	8	FILTER 16 X 20 X 2	026-21062-000	1
19	9	FILTER 20 X 25 X 12	026-36380-000	9
19	10	FILTER 16 X 25 X 12	026-36342-010	4
19	11	FILTER 16 X 20 X 12	026-36342-009	1



LD14373

FIG. 19 - RIGID FILTER ASSEMBLIES

TABLE 35 - EVAPORATOR COIL ASSEMBLIES

FIG	ITEM	DESCRIPTION	UNIT SIZE			
			050	051	060	061
20	1	EVAP COIL TOP ALUMINUM FIN +	385-10025-113	385-10025-113	385-10025-103	385-10025-103
20	2	EVAP COIL BTM ALUMINUM FIN +	385-10025-113	385-10025-113	385-10025-103	385-10025-103
20	1	EVAP COIL TOP COPPER FIN +	385-10025-118	385-10025-118	385-10025-108	385-10025-108
20	2	EVAP COIL BTM COPPER FIN +	385-10025-118	385-10025-118	385-10025-108	385-10025-108

+ The evaporator coil comes as an assembly consisting of the upper and lower coil, suction headers, and expansion valves with distributors.

TABLE 36 - EVAPORATOR COIL

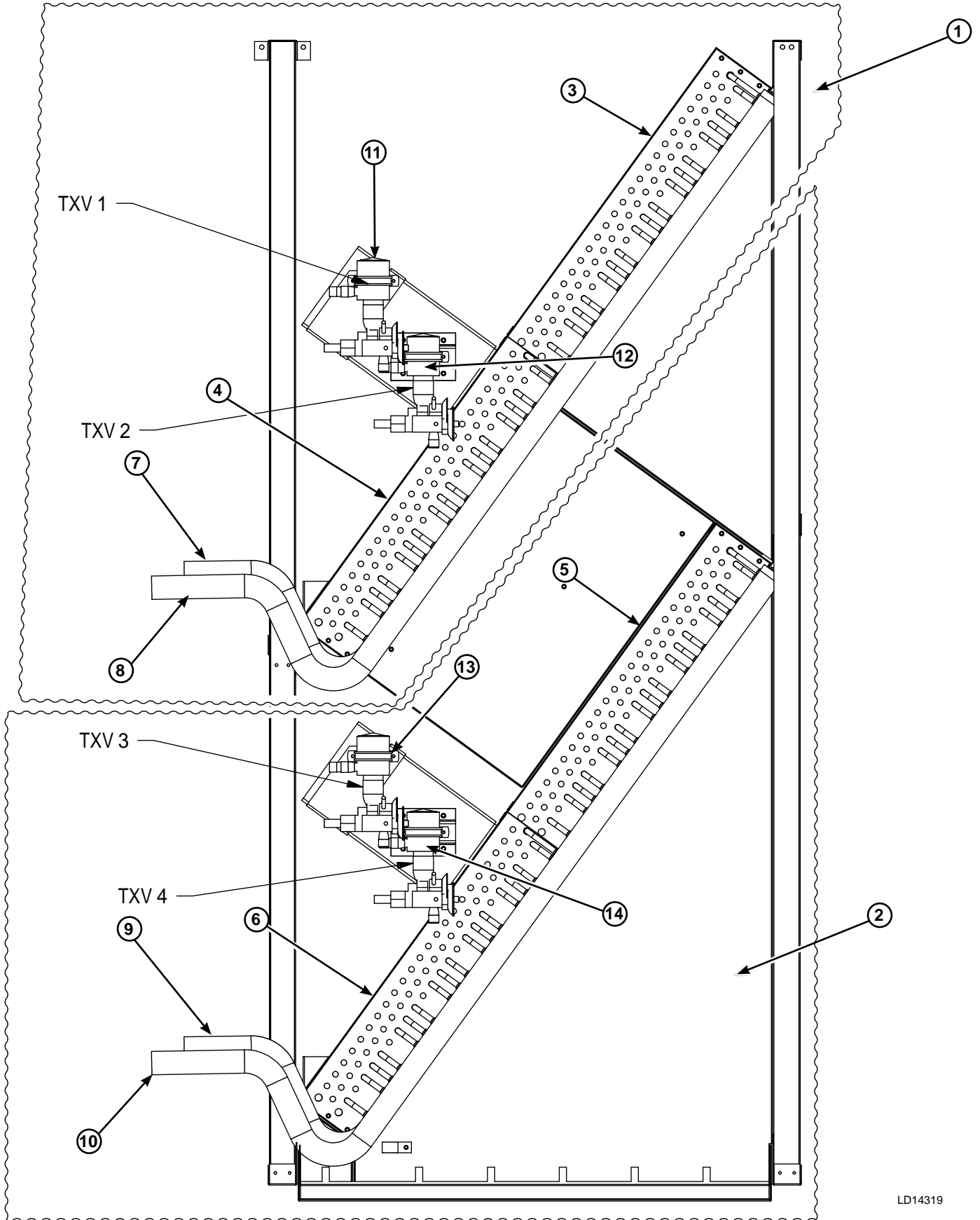
FIG	ITEM	DESCRIPTION	UNIT SIZE			
			050	051	060	061
20	3	EVAP COIL TOP,UPPER, ALUMINUM FIN	385-10025-130	385-10025-130	385-10025-122	385-10025-122
20	4	EVAP COIL TOP, LOWER ALUMINUM FIN	385-10025-131	385-10025-131	385-10025-123	385-10025-123
20	5	EVAP COIL BOTTOM,UPPER , ALUMINUM FIN	385-10025-130	385-10025-130	385-10025-122	385-10025-122
20	6	EVAP COIL BOTTOM, LOWER ALUMINUM FIN	385-10025-131	385-10025-131	385-10025-123	385-10025-123
20	3	EVAP COIL TOP,UPPER , COPPER FIN	385-10025-134	385-10025-134	385-10025-126	385-10025-126
20	4	EVAP COIL TOP, LOWER COPPER FIN	385-10025-135	385-10025-135	385-10025-127	385-10025-127
20	5	EVAP COIL BOTTOM,UPPER , COPPER FIN	385-10025-134	385-10025-134	385-10025-126	385-10025-126
20	6	EVAP COIL BOTTOM, LOWER COPPER FIN	385-10025-135	385-10025-135	385-10025-127	385-10025-127

TABLE 37 - REPLACEMENT SUCTION HEADERS

FIG	ITEM	DESCRIPTION	UNIT SIZE			
			050	051	060	061
20	7	TOP COIL ALUMINUM FIN INNER HEADER (SYS 2)	385-10025-160	385-10025-160	385-10025-150	385-10025-150
20	8	TOP COIL ALUMINUM FIN OUTER HEADER (SYS 1)	385-10025-161	385-10025-161	385-10025-151	385-10025-151
20	9	BTM COIL ALUMINUM FIN INNER HEADER (SYS 2)	385-10025-160	385-10025-160	385-10025-150	385-10025-150
20	10	BTM COIL ALUMINUM FIN OUTER HEADER (SYS 1)	385-10025-161	385-10025-161	385-10025-151	385-10025-151
20	7	TOP COIL COPPER FIN INNER HEADER (SYS 2)	385-10025-160	385-10025-160	385-10025-150	385-10025-150
20	8	TOP COIL COPPER FIN OUTER HEADER (SYS 1)	385-10025-161	385-10025-161	385-10025-151	385-10025-151
20	9	BTM COIL COPPER FIN INNER HEADER (SYS 2)	385-10025-160	385-10025-160	385-10025-150	385-10025-150
20	10	BTM COIL COPPER FIN OUTER HEADER (SYS 1)	385-10025-161	385-10025-161	385-10025-151	385-10025-151

TABLE 38 - REPLACEMENT SUCTION HEADERS

FIG	ITEM	DESCRIPTION	UNIT SIZE			
			050	051	060	061
20	11	EXP VALVE ASSEMBLY TOP (SYS 1)	026-45014-000	026-45014-000	026-45015-000	026-45015-000
		EXP VALVE SPORLAN MODEL NUMBER TOP (SYS 1)	BBIZE-15-GA-5/8	BBIZE-15-GA-5/8	OZE-20-GA-5/8	OZE-20-GA-5/8
		DISTRIBUTOR SPORLAN MODEL NUMBER TOP (SYS 1)	1655R-18-3/16-8-(1)-5/8 LIQ-HGBP	1655R-18-3/16-8-(1)-5/8 LIQ-HGBP	1657R-24-3/16-10-(1)-5/8 LIQ HGBP	1657R-24-3/16-10-(1)-5/8 LIQ HGBP
20	12	EXP VALVE ASSEMBLY TOP (SYS 2)	026-45014-000	026-45014-000	026-45015-000	026-45015-000
		EXP VALVE SPORLAN MODEL NUMBER TOP (SYS 2)	BBIZE-15-GA-5/8	BBIZE-15-GA-5/8	OZE-20-GA-5/8	OZE-20-GA-5/8
		DISTRIBUTOR SPORLAN MODEL NUMBER TOP (SYS 2)	1655R-18-3/16-8-(1)-5/8 LIQ-HGBP	1655R-18-3/16-8-(1)-5/8 LIQ-HGBP	1657R-24-3/16-10-(1)-5/8 LIQ HGBP	1657R-24-3/16-10-(1)-5/8 LIQ HGBP
20	13	EXP VALVE ASSEMBLY BTM (SYS 1)	026-45014-000	026-45014-000	026-45015-000	026-45015-000
		EXP VALVE SPORLAN MODEL NUMBER BTM (SYS 1)	BBIZE-15-GA-5/8	BBIZE-15-GA-5/8	OZE-20-GA-5/8	OZE-20-GA-5/8
		DISTRIBUTOR SPORLAN MODEL NUMBER BTM (SYS 1)	1655R-18-3/16-8-(1)-5/8 LIQ-HGBP	1655R-18-3/16-8-(1)-5/8 LIQ-HGBP	1657R-24-3/16-10-(1)-5/8 LIQ HGBP	1657R-24-3/16-10-(1)-5/8 LIQ HGBP
20	14	EXP VALVE ASSEMBLY BTM (SYS 2)	026-45014-000	026-45014-000	026-45015-000	026-45015-000
		EXP VALVE SPORLAN MODEL NUMBER BTM (SYS 2)	BBIZE-15-GA-5/8	BBIZE-15-GA-5/8	OZE-20-GA-5/8	OZE-20-GA-5/8
		DISTRIBUTOR SPORLAN MODEL NUMBER BTM (SYS 2)	1655R-18-3/16-8-(1)-5/8 LIQ-HGBP	1655R-18-3/16-8-(1)-5/8 LIQ-HGBP	1657R-24-3/16-10-(1)-5/8 LIQ HGBP	1657R-24-3/16-10-(1)-5/8 LIQ HGBP



LD14319

FIG. 20 - EVAPORATOR COILS, REPLACEMENT SUCTION HEADERS & EXPANSION VALVE ASSEMBLIES

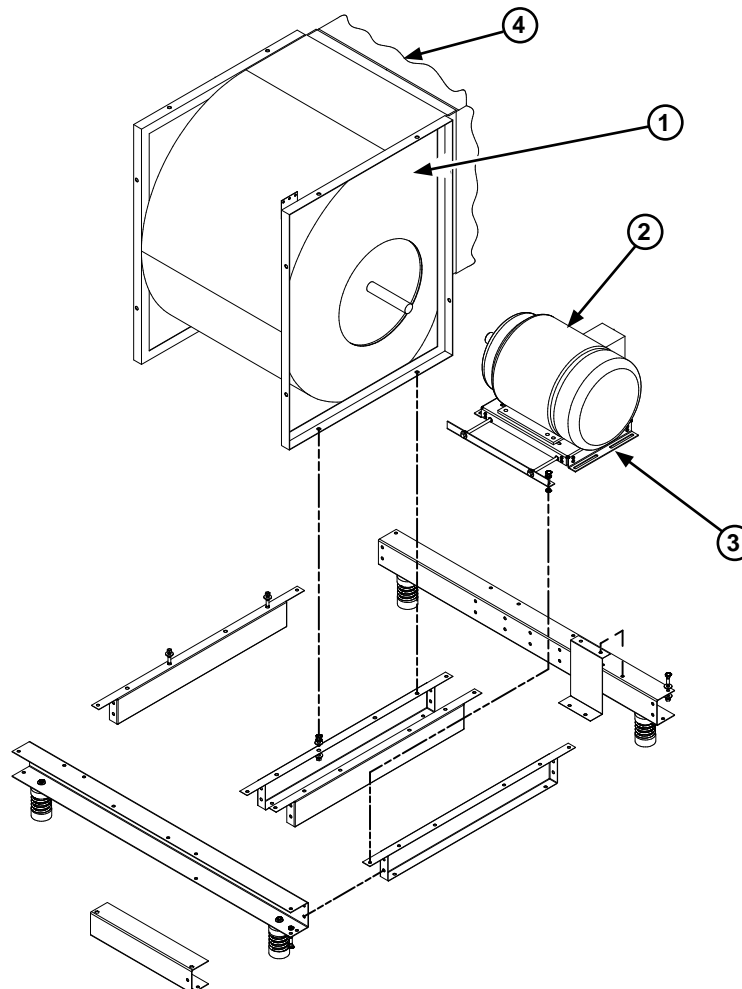
TABLE 39 - SUPPLY FAN BLOWER ASSEMBLIES

FIG	ITEM	SIZE	TYPE	CLASS	ASSEMBLY PART NUMBER	WHEEL PART NUMBER	BEARING PART NUMBER	SHAFT PART NUMBER
21	1	28-28	FORWARD CURVE	1	026-36311-128	----	----	----
21	1	28-28	FORWARD CURVE	2	026-36311-228	CAJ75400263	CAJ99913297	CAJ75404384
21	1	28-28	AIRFOIL	1	026-36313-128	----	----	----
21	1	28-28	AIRFOIL	2	026-36313-228	----	----	----

FIG	ITEM	QTY	DESCRIPTION	PART NUMBER
21	4	12.5 FT	FLEX DUCT	026-28242-001

TABLE 40 - SUPPLY FAN MOTOR MOUNTING PLATE

FIG	ITEM	MOTOR HP	PART NUMBER
21	3	10	085-10023-021
21	3	15	085-10023-020
21	3	20	085-10023-020
21	3	25	085-10023-021
21	3	30	085-10023-021
21	3	40	085-10023-020



LD14362

FIG. 21 - SUPPLY FANS, BLOWER ASSEMBLY AND MOUNTING PLATE

TABLE 41 - SUPPLY FAN MOTORS

FIG	ITEM	MTR HP	VOLTAGE	OPEN DRIP PROOF HIGH EFFICIENCY	OPEN DRIP PROOF PREMIUM EFFICIENCY	TOTALLY ENCLOSED FAN COOLED HIGH EFFICIENCY	TOTALLY ENCLOSED FAN COOLED PREMIUM EFFICIENCY
21	2	10	208/230-3-60	024-23931-000	024-27062-000	024-23917-000	024-27088-000
21	2	10	460-3-60	024-23931-000	024-27062-000	024-23917-000	024-27088-000
21	2	10	575-3-60	024-27011-000	024-27373-000	024-27043-000	024-27347-000
21	2	15	208/230-3-60	024-23932-000	024-27064-000	024-23918-000	024-27090-000
21	2	15	460-3-60	024-23932-000	024-27064-000	024-23918-000	024-27090-000
21	2	15	575-3-60	024-27012-000	024-27374-000	024-27314-000	024-27349-000
21	2	20	208/230-3-60	024-23933-000	024-27066-000	024-23919-000	024-27098-000
21	2	20	460-3-60	024-23933-000	024-27066-000	024-23919-000	024-27098-000
21	2	20	575-3-60	024-27013-000	024-27375-000	024-27029-000	024-27351-000
21	2	25	208/230-3-60	024-23934-000	024-27068-000	024-23920-000	024-27300-000
21	2	25	460-3-60	024-23934-000	024-27068-000	024-23920-000	024-27300-000
21	2	25	575-3-60	024-27014-000	024-27376-000	024-27030-000	024-27353-000
21	2	30	208/230-3-60	024-23191-000	024-27070-000	024-26282-000	024-27301-000
21	2	30	460-3-60	024-23191-000	024-27070-000	024-26282-000	024-27301-000
21	2	30	575-3-60	024-27015-000	024-27377-000	024-27031-000	024-27355-000
21	2	40	208/230-3-60	024-23195-000	024-27072-000	024-26283-000	024-27302-000
21	2	40	460-3-60	024-23195-000	024-27072-000	024-26283-000	024-27302-000
21	2	40	575-3-60	024-27016-000	024-27378-000	024-27032-000	024-27357-000

TABLE 42 - AF SUPPLY FAN WITH 1 INCH ISOLATOR SPRINGS

FIG	ITEM	MOTOR HP	PART NUMBER	COLOR
22	1	10	029-21363-005	BLACK
22	2	10	029-21363-006	BLACK/YELLOW
22	3	10	029-21363-006	BLACK/YELLOW
22	4	10	028-21363-005	BLACK
22	1	15	029-21363-005	BLACK
22	2	15	029-21363-006	BLACK/YELLOW
22	3	15	029-21363-006	BLACK/YELLOW
22	4	15	029-21363-006	BLACK/YELLOW
22	1	20	029-21363-005	BLACK
22	2	20	029-21363-006	BLACK/YELLOW
22	3	20	029-21363-006	BLACK/YELLOW
22	4	20	029-21363-006	BLACK/YELLOW
22	1	25	029-21363-005	BLACK
22	2	25	029-21363-006	BLACK/YELLOW
22	3	25	029-21363-008	RED/BROWN
22	4	25	029-21363-006	BLACK/YELLOW
22	1	30	029-21363-005	BLACK
22	2	30	029-21363-006	BLACK/YELLOW
22	3	30	029-21363-006	BLACK/YELLOW
22	4	30	029-21363-006	BLACK/YELLOW
22	1	40	029-21363-005	BLACK
22	2	40	029-21363-006	BLACK/YELLOW
22	3	40	029-21363-008	RED/BROWN
22	4	40	029-21363-006	BLACK/YELLOW

TABLE 43 - FC SUPPLY FAN WITH 1 INCH ISOLATOR SPRINGS

FIG	ITEM	MOTOR HP	PART NUMBER	COLOR
22	1	10	029-21363-004	BLUE/BLUE
22	2	10	029-21363-005	BLACK
22	3	10	029-21363-006	BLACK/YELLOW
22	4	10	028-21363-005	BLACK
22	1	15	029-21363-004	BLUE/BLUE
22	2	15	029-21363-005	BLACK
22	3	15	029-21363-006	BLACK/YELLOW
22	4	15	029-21363-005	BLACK
22	1	20	029-21363-005	BLACK
22	2	20	029-21363-005	BLACK
22	3	20	029-21363-006	BLACK/YELLOW
22	4	20	029-21363-005	BLACK
22	1	25	029-21363-005	BLACK
22	2	25	029-21363-005	BLACK
22	3	25	029-21363-008	RED/BROWN
22	4	25	029-21363-006	BLACK/YELLOW
22	1	30	029-21363-005	BLACK
22	2	30	029-21363-005	BLACK
22	3	30	029-21363-006	BLACK/YELLOW

TABLE 43 - FC SUPPLY FAN WITH 1 INCH ISOLATOR SPRINGS (CONT'D)

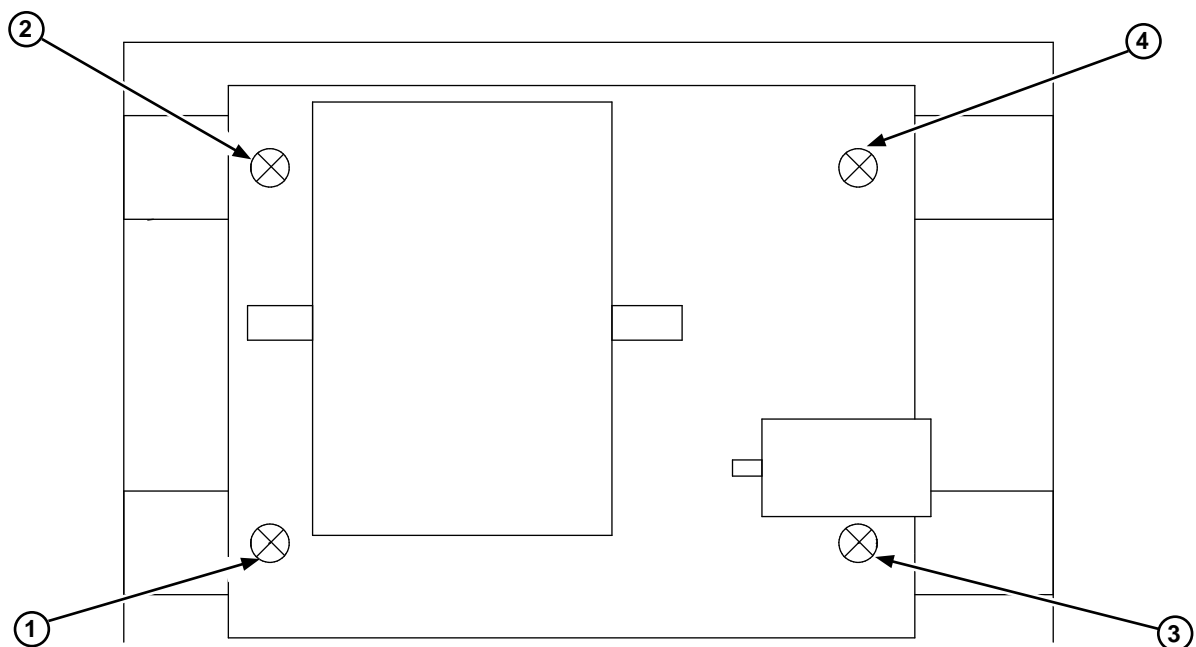
FIG	ITEM	MOTOR HP	PART NUMBER	COLOR
22	4	30	029-21363-006	BLACK/YELLOW
22	1	40	029-21363-005	BLACK
22	2	40	029-21363-006	BLACK/YELLOW
22	3	40	029-21363-008	RED/BROWN
22	4	40	029-21363-006	BLACK/YELLOW

TABLE 44 - AF SUPPLY FAN WITH 2 INCH ISOLATOR SPRINGS

FIG	ITEM	MOTOR HP	PART NUMBER	COLOR
22	1	10	029-21330-605	BROWN
22	2	10	029-21330-616	RED
22	3	10	029-21330-616	RED
22	4	10	029-21330-605	BROWN
22	1	15	029-21330-605	BROWN
22	2	15	029-21330-616	RED
22	3	15	029-21330-616	RED
22	4	15	029-21330-605	BROWN
22	1	20	029-21330-605	BROWN
22	2	20	029-21330-616	RED
22	3	20	029-21330-616	RED
22	4	20	029-21330-605	BROWN
22	1	25	029-21330-605	BROWN
22	2	25	029-21330-616	RED
22	3	25	029-21330-617	TAN
22	4	25	029-21330-616	RED
22	1	30	029-21330-605	BROWN
22	2	30	029-21330-616	RED
22	3	30	029-21330-617	TAN
22	4	30	029-21330-616	RED
22	1	40	029-21330-605	BROWN
22	2	40	029-21330-616	RED
22	3	40	029-21330-617	TAN
22	4	40	029-21330-616	RED

TABLE 45 - FC SUPPLY FAN WITH 2 INCH ISOLATOR SPRINGS

FIG	ITEM	MOTOR HP	PART NUMBER	COLOR
22	1	10	029-21330-605	BROWN
22	2	10	029-21330-605	BROWN
22	3	10	029-21330-616	RED
22	4	10	029-21330-605	BROWN
22	1	15	029-21330-605	BROWN
22	2	15	029-21330-605	BROWN
22	3	15	029-21330-616	RED
22	4	15	029-21330-605	BROWN
22	1	20	029-21330-605	BROWN
22	2	20	029-21330-605	BROWN
22	3	20	029-21330-616	RED
22	4	20	029-21330-605	BROWN
22	1	25	029-21330-605	BROWN
22	2	25	029-21330-605	BROWN
22	3	25	029-21330-617	TAN
22	4	25	029-21330-616	RED
22	1	30	029-21330-605	BROWN
22	2	30	029-21330-605	BROWN
22	3	30	029-21330-617	TAN
22	4	30	029-21330-616	RED
22	1	40	029-21330-605	BROWN
22	2	40	029-21330-605	BROWN
22	3	40	029-21330-617	TAN
22	4	40	029-21330-616	RED



LD14361

FIG. 22 - AF AND FC SUPPLY FAN ISOLATOR SPRINGS

TABLE 46 - SUPPLY FAN DRIVES FORWARD CURVE CLASS 1

MTR HP	NOM RPM	MOTOR PULLEY*	MOTOR PULLEY BUSHING*	BLOWER PULLEY*	BLOWER PULLEY BUSHING	BELT*	BELT QTY	DRIVE SPEED (RPM)	DRIVE CENTER DIST
10	350	4.8X2B-SDS	SDSX1 3/8	25.0X2B-SF	SFX1 15/16	BX99	2	358.9	24.95
		5.0X2B-SDS	SDSX1 3/8	25.0X2B-SF	SFX1 15/16	BX99	2	372.7	24.82
10	400	3V4.5X3-SDS	SDSX1 3/8	3V19.0X3-SF	SFX1 15/16	3VX900	3	414.4	25.51
		3.8X3B-SH	SHX1 3/8	18.4X3B-SK	SKX1 15/16	BX85	3	391.8	24.89
10	450	3.8X3B-SH	SHX1 3/8	15.4X3B-SK	SKX1 15/16	BX80	3	466.2	25.15
		3.8X3B-SH	SHX1 3/8	16.0X3B-SK	SKX1 15/16	BX81	3	449.2	25.1
		4.0X3B-SH	SHX1 3/8	16.0X3B-SK	SKX1 15/16	BX81	3	470.5	24.97
10	500	4.0X3B-SH	SHX1 3/8	15.4X3B-SK	SKX1 15/16	BX80	3	488.3	25.01
		4.2X3B-SH	SHX1 3/8	15.4X3B-SK	SKX1 15/16	BX80	3	510.5	24.87
		4.8X3B-SD	SDX1 3/8	16.0X3B-SK	SKX1 15/16	AX81	3	513.4	24.8
10	550	4.6X2B-SDS	SDSX1 3/8	15.4X2B-SK	SKX1 15/16	BX81	2	554.7	25.11
		3.8X3B-SH	SHX1 3/8	13.6X3B-SK	SKX1 15/16	BX76	3	526.1	24.74
		4.0X3B-SH	SHX1 3/8	13.6X3B-SK	SKX1 15/16	BX77	3	551.1	25.11
10	600	3.8X3B-SH	SHX1 3/8	12.4X3B-SK	SKX1 15/16	BX74	3	575.4	24.8
		4.0X3B-SH	SHX1 3/8	12.4X3B-SK	SKX1 15/16	BX75	3	602.7	25.16
		4.6X3B-SD	SDX1 3/8	13.6X3B-SK	SKX1 15/16	AX77	3	578.9	25.08
10	650	4.6X2B-SDS	SDSX1 3/8	13.6X2B-SK	SKX1 15/16	BX77	2	626	24.69
		4.8X2B-SDS	SDSX1 3/8	13.6X2B-SK	SKX1 15/16	BX78	2	651	25.06
		3.8X3B-SH	SHX1 3/8	11.0X3B-SK	SKX1 15/16	BX72	3	645.9	25.01
15	550	6.2X2B-SDS	SDSX1 5/8	20.0X2B-SF	SFX1 15/16	BX90	2	566.9	24.34
15	600	6.2X2B-SDS	SDSX1 5/8	18.4X2B-SK	SKX1 15/16	BX87	2	615.1	24.31
15	650	6.2X3B-SD	SDX1 5/8	16.0X3B-SK	SKX1 15/16	AX82	3	667.9	24.34
15	700	6.2X2B-SDS	SDSX1 5/8	16.0X2B-SK	SKX1 15/16	BX83	2	705	24.47

* Model number shown are for T B Woods

TABLE 47 - SUPPLY FAN DRIVES FORWARD CURVE CLASS 2

MTR HP	NOM RPM	MOTOR PULLEY*	MOTOR PULLEY BUSHING*	BLOWER PULLEY*	BLOWER PULLEY BUSHING*	BELT*	BELT QTY	DRIVE SPEED (RPM)	DRIVE CENTER DIST
10	350	4.0X4B-SD	SDX1 3/8	18.4X4B-SF	SFX2 7/16	AX85	4	369.1	25.15
		3.4X4B-SD	SDX1 3/8	18.4X4B-SF	SFX2 7/16	BX85	4	354.6	25.16
		3.6X4B-SD	SDX1 3/8	18.4X4B-SF	SFX2 7/16	BX85	4	373.2	25.02
10	400	3V4.5X3-SDS	SDSX1 3/8	3V19.0X3-SF	SFX2 7/16	3VX900	3	414.4	25.51
		3.8X3B-SH	SHX1 3/8	18.4X3B-SK		BX85	3	391.8	24.89
		4.0X3B-SH	SHX1 3/8	18.4X3B-SK	SKX2 7/16	BX85	3	410.5	24.76
10	450	3.8X3B-SH	SHX1 3/8	15.4X3B-SK	SKX2 7/16	BX80	3	466.2	25.15
		3.8X3B-SH	SHX1 3/8	16.0X3B-SK	SKX2 7/16	BX81	3	449.2	25.1
		4.0X3B-SH	SHX1 3/8	16.0X3B-SK	SKX2 7/16	BX81	3	470.5	24.97
10	500	4.0X3B-SH	SHX1 3/8	15.4X3B-SK	SKX2 7/16	BX80	3	488.3	25.01
		4.2X3B-SH	SHX1 3/8	15.4X3B-SK	SKX2 7/16	BX80	3	510.5	24.87
		4.8X3B-SD	SDX1 3/8	16.0X3B-SK	SKX2 7/16	AX81	3	513.4	24.8
10	550	4.6X2B-SDS	SDSX1 3/8	15.4X2B-SK	SKX2 7/16	BX81	2	554.7	25.11
		3.8X3B-SH	SHX1 3/8	13.6X3B-SK	SKX2 7/16	BX76	3	526.1	24.74
		4.0X3B-SH	SHX1 3/8	13.6X3B-SK	SKX2 7/16	BX77	3	551.1	25.11
10	600	3.8X3B-SH	SHX1 3/8	12.4X3B-SK	SKX2 7/16	BX74	3	575.4	24.8
		4.0X3B-SH	SHX1 3/8	12.4X3B-SK	SKX2 7/16	BX75	3	602.7	25.16
		4.6X3B-SD	SDX1 3/8	13.6X3B-SK	SKX2 7/16	AX77	3	578.9	25.08
10	650	4.6X2B-SDS	SDSX1 3/8	13.6X2B-SK	SKX2 7/16	BX77	2	626	24.69
		4.8X2B-SDS	SDSX1 3/8	13.6X2B-SK	SKX2 7/16	BX78	2	651	25.06
		3.8X3B-SH	SHX1 3/8	11.0X3B-SK	SKX2 7/16	BX72	3	645.9	25.01
15	400	4.0X4B-SD	SDX1 5/8	18.4X4B-SF	SFX2 7/16	BX84	4	410.5	24.23
		4.2X4B-SD	SDX1 5/8	20.0X4B-SF	SFX2 7/16	BX88	4	395.4	24.62
		4.4X4B-SD	SDX1 5/8	20.0X4B-SF	SFX2 7/16	BX88	4	412.6	24.49
15	450	4.0X4B-SD	SDX1 5/8	16.0X4B-SF	SFX2 7/16	BX80	4	470.5	24.45
		3V4.75X4-SDS	SDSX1 5/8	3V19.0X4-SF	SFX2 7/16	3VX900	4	437.5	25.34
		3V5.0X4-SDS	SDSX1 5/8	3V19.0X4-SF	SFX2 7/16	3VX900	4	460.5	25.17
15	500	4.8X3B-SD	SDX1 5/8	18.4X3B-SK	SKX2 7/16	BX85	3	484.9	24.22
		5.0X3B-SD	SDX1 5/8	18.4X3B-SK	SKX2 7/16	BX86	3	503.5	24.6
		5.2X3B-SD	SDX1 5/8	18.4X3B-SK	SKX2 7/16	BX86	3	522.1	24.47
15	550	4.8X3B-SD	SDX1 5/8	16.0X3B-SK	SKX2 7/16	BX81	3	555.8	24.42
		3V6.0X3-SDS	SDSX1 5/8	3V19.0X3-SF	SFX2 7/16	3VX900	3	552.6	24.5
		4.0X4B-SD	SDX1 5/8	13.6X4B-SK	SKX2 7/16	BX76	4	551.1	24.6
15	600	4.0X4B-SD	SDX1 5/8	12.4X4B-SK	SKX2 7/16	BX73	4	602.7	24.15
		4.8X3B-SD	SDX1 5/8	15.4X3B-SK	SKX2 7/16	BX80	3	576.9	24.46
		5.0X3B-SD	SDX1 5/8	15.4X3B-SK	SKX2 7/16	BX80	3	599	24.32
15	650	4.6X3B-SD	SDX1 5/8	13.6X3B-SK	SKX2 7/16	BX76	3	626	24.18
		4.8X3B-SD	SDX1 5/8	13.6X3B-SK	SKX2 7/16	BX77	3	651	24.55
		4.2X4B-SD	SDX1 5/8	12.4X4B-SK	SKX2 7/16	BX74	4	630	24.51

* Model number shown are for T B Woods

TABLE 47 - SUPPLY FAN DRIVES FORWARD CURVE CLASS 2 (CONT'D)

MTR HP	NOM RPM	MOTOR PULLEY*	MOTOR PULLEY BUSHING*	BLOWER PULLEY*	BLOWER PULLEY BUSHING*	BELT*	BELT QTY	DRIVE SPEED (RPM)	DRIVE CENTER DIST
15	700	4.6X3B-SD	SDX1 5/8	12.4X3B-SK	SKX2 7/16	BX74	3	684.6	24.23
		4.8X3B-SD	SDX1 5/8	12.4X3B-SK	SKX2 7/16	BX75	3	711.9	24.59
		5.0X3B-SD	SDX1 5/8	13.6X3B-SK	SKX2 7/16	BX77	3	675.9	24.41
20	550	5.6X4B-SD	SDX1 5/8	18.4X4B-SF	SFX2 7/16	BX86	4	559.3	24.2
		5.8X3B-SD	SDX1 5/8	20.0X3B-SF	SFX2 7/16	BX90	3	532.6	24.61
		6.0X3B-SD	SDX1 5/8	20.0X3B-SF	SFX2 7/16	BX90	3	549.7	24.47
20	600	5.8X3B-SD	SDX1 5/8	18.4X3B-SK	SKX2 7/16	BX87	3	577.9	-24.58
		6.0X3B-SD	SDX1 5/8	18.4X3B-SK	SKX2 7/16	BX87	3	596.5	24.45
		6.2X3B-SD	SDX1 5/8	18.4X3B-SK	SKX2 7/16	BX87	3	615.1	24.31
20	650	5.6X3B-SD	SDX1 5/8	15.4X3B-SK	SKX2 7/16	BX81	3	665.4	-24.41
		5.6X3B-SD	SDX1 5/8	16.0X3B-SK	SKX2 7/16	BX82	3	641.1	24.38
		5.8X3B-SD	SDX1 5/8	16.0X3B-SK	SKX2 7/16	BX82	3	662.4	24.24
20	700	5.8X3B-SD	SDX1 5/8	15.4X3B-SK	SKX2 7/16	BX81	3	687.5	24.27
		6.0X3B-SD	SDX1 5/8	15.4X3B-SK	SKX2 7/16	BX81	3	709.7	24.13
		6.0X3B-SD	SDX1 5/8	16.0X3B-SK	SKX2 7/16	BX82	3	683.7	24.1
20	750	5.6X3B-SD	SDX1 5/8	13.6X3B-SK	SKX2 7/16	BX78	3	750.9	24.49
		5.2X4B-SD	SDX1 5/8	12.4X4B-SK	SKX2 7/16	BX75	4	766.6	24.31
		6.2X3B-SD	SDX1 5/8	15.4X3B-SK	SKX2 7/16	BX82	3	731.8	24.5
20	800	5.6X3B-SD	SDX1 5/8	12.4X3B-SK	SKX2 7/16	BX76	3	821.2	24.52
		5.8X3B-SD	SDX1 5/8	13.6X3B-SK	SKX2 7/16	BX78	3	775.9	24.35
		5.6X3LB-SF	SFX1 5/8	12.4X3B-SK	SKX2 7/16	BX76	3	821.2	24.52
20	850	5.8X3B-SD	SDX1 5/8	12.4X3B-SK	SKX2 7/16	BX76	3	848.5	24.38
		6.2X3B-SD	SDX1 5/8	13.6X3B-SK	SKX2 7/16	BX79	3	825.8	24.57
		6.4X3B-SD	SDX1 5/8	13.6X3B-SK	SKX2 7/16	BX79	3	850.8	24.42
25	650	6.6X3B-SD	SDX1 7/8	18.4X3B-SK	SKX2 7/16	BX87	3	652.3	24.04
		6.8X3B-SD	SDX1 7/8	18.4X3B-SK	SKX2 7/16	BX87	3	670.9	23.9
		6.8X3LB-SF	SFX1 7/8	18.4X3B-SK	SKX2 7/16	BX87	3	670.9	23.9
25	700	7.0X3B-SK	SKX1 7/8	18.4X3B-SK	SKX2 7/16	BX88	3	689.5	24.28
		7.0X3LB-SF	SFX1 7/8	18.4X3B-SK	SKX2 7/16	BX88	3	689.5	24.28
25	750	6.6X3B-SD	SDX1 7/8	16.0X3B-SK	SKX2 7/16	BX83	3	747.7	24.19
		6.8X3B-SD	SDX1 7/8	16.0X3B-SK	SKX2 7/16	BX83	3	769	24.05
		6.8X3LB-SF	SFX1 7/8	16.0X3B-SK	SKX2 7/16	BX83	3	769	24.05
25	800	6.6X3B-SD	SDX1 7/8	15.4X3B-SK	SKX2 7/16	BX82	3	776.1	24.22
		6.8X3B-SD	SDX1 7/8	15.4X3B-SK	SKX2 7/16	BX82	3	798.2	24.08
		7.0X3B-SK	SKX1 7/8	15.4X3B-SK	SKX2 7/16	BX82	3	820.3	23.93
25	850	7.4X3B-SK	SKX1 7/8	15.4X3B-SK	SKX2 7/16	BX83	3	864.6	24.16
		7.4X3B-SK	SKX1 7/8	16.0X3B-SK	SKX2 7/16	BX84	3	833	24.13
		3V6.9X4-SK	SKX1 7/8	3V14.0X4-SK	SKX2 7/16	3VX850	4	862.5	25.84

* Model number shown are for T B Woods

TABLE 48 - SUPPLY FAN DRIVES AIRFOIL CLASS 2

MTR HP	NOM RPM	MOTOR PULLEY*	MOTOR PULLEY BUSHING*	BLOWER PULLEY*	BLOWER PULLEY BUSHING*	BELT*	BELT QTY	DRIVE SPEED (RPM)	DRIVE CENTER DIST
10	950	4.6X2B-SDS	SDSX1 3/8	8.6X2B-SK	SKX2 3/16	BX69	2	973.3	24.95
		5.8X2B-SDS	SDSX1 3/8	11.0X2B-SK	SKX2 3/16	BP75	2	952.6	25.07
		4.4X3B-SH	SHX1 3/8	8.6X3B-SK	SKX2 3/16	BP69	3	934.5	25.1
10	1000	5.2X2B-SDS	SDSX1 3/8	9.4X2B-SK	SKX2 3/16	BP71	2	1000.9	24.84
		4.4X3B-SH	SHX1 3/8	8.0X3B-SK	SKX2 3/16	BP68	3	1001.1	25.09
		6.2X2B-SDS	SDSX1 3/8	11.0X2B-SK	SKX2 3/16	AP75	2	975.8	25.15
10	1050	5.4X2B-SDS	SDSX1 3/8	9.4X2B-SK	SKX2 3/16	BP71	2	1036.6	24.69
		5.6X2B-SDS	SDSX1 3/8	9.4X2B-SK	SKX2 3/16	BP72	2	1072.3	25.04
		4.6X2B-SDS	SDSX1 3/8	8.0X2B-SK	SKX2 3/16	BX68	2	1042.7	24.94
10	1100	5.2X2B-SDS	SDSX1 3/8	8.6X2B-SK	SKX2 3/16	BP70	2	1089.8	25
		5.8X2B-SDS	SDSX1 3/8	9.4X2B-SK	SKX2 3/16	BP72	2	1107.9	24.89
		4.4X3B-SH	SHX1 3/8	7.4X3B-SK	SKX2 3/16	BP67	3	1078	25.08
10	1150	5.4X2B-SDS	SDSX1 3/8	8.6X2B-SK	SKX2 3/16	BP70	2	1128.6	24.85
		5.6X2B-SDS	SDSX1 3/8	8.6X2B-SK	SKX2 3/16	BP70	2	1167.5	24.7
		6.2X2B-SDS	SDSX1 3/8	9.4X2B-SK	SKX2 3/16	AP72	2	1144.5	24.97
15	1000	6.8X2B-SDS	SDSX1 5/8	12.4X2B-SK	SKX2 3/16	BP77	2	985.1	24.15
		5.2X3B-SD	SDX1 5/8	9.4X3B-SK	SKX2 3/16	BP70	3	1000.9	24.34
		7.0X2B-SK	SKX1 5/8	12.4X2B-SK	SKX2 3/16	BP78	2	1012.4	24.51
15	1050	5.4X3B-SD	SDX1 5/8	9.4X3B-SK	SKX2 3/16	BP70	3	1036.6	24.19
		5.6X3B-SD	SDX1 5/8	9.4X3B-SK	SKX2 3/16	BP71	3	1072.3	24.54
		7.4X2B-SK	SKX1 5/8	12.4X2B-SK	SKX2 3/16	BP78	2	1067	24.22
15	1100	6.8X2B-SDS	SDSX1 5/8	11.0X2B-SK	SKX2 3/16	BP75	2	1105.9	24.32
		5.8X3B-SD	SDX1 5/8	9.4X3B-SK	SKX2 3/16	BP71	3	1107.9	24.39
		6.8X2B-SDS	SDSX1 5/8	11.0X2LB-SF	SFX2 3/16	BP75	2	1105.9	24.32
15	1150	6.0X2B-SDS	SDSX1 5/8	9.4X2B-SK	SKX2 3/16	BX71	2	1143.6	24.24
		5.4X3B-SD	SDX1 5/8	8.6X3B-SK	SKX2 3/16	BP69	3	1128.6	24.35
		7.0X2B-SK	SKX1 5/8	11.0X2B-SK	SKX2 3/16	BP75	2	1136.6	24.18
15	1200	5.4X3B-SD	SDX1 5/8	8.0X3B-SK	SKX2 3/16	BP68	3	1209.1	24.34
		6.2X2B-SDS	SDSX1 5/8	9.4X2B-SK	SKX2 3/16	BX72	2	1179.3	24.59
		6.4X2B-SDS	SDSX1 5/8	9.4X2B-SK	SKX2 3/16	BX72	2	1214.9	24.44
15	1250	5.6X3B-SD	SDX1 5/8	8.0X3B-SK	SKX2 3/16	BP68	3	1250.7	24.18
		6.0X2B-SDS	SDSX1 5/8	8.6X2B-SK	SKX2 3/16	BX70	2	1245.1	24.39
		6.6X2B-SDS	SDSX1 5/8	9.4X2B-SK	SKX2 3/16	BX72	2	1250.6	24.29
15	1300	6.8X2B-SDS	SDSX1 5/8	9.4X2B-SK	SKX2 3/16	BP72	2	1286.3	24.14
		7.0X2B-SK	SKX1 5/8	9.4X2B-SK	SKX2 3/16	BP73	2	1321.9	24.49
		5.4X3B-SD	SDX1 5/8	7.4X3B-SK	SKX2 3/16	BP67	3	1302	24.32
20	1100	6.6X3B-SD	SDX1 5/8	11.0X3B-SK	SKX2 3/16	BP75	3	1075.3	24.47
		6.8X3B-SD	SDX1 5/8	11.0X3B-SK	SKX2 3/16	BP75	3	1105.9	24.32
		5.8X3B-SD	SDX1 5/8	9.4X3B-SK	SKX2 3/16	BX71	3	1107.9	24.39

* Model number shown are for T B Woods

TABLE 48 - SUPPLY FAN DRIVES AIRFOIL CLASS 2 (CONT'D)

MTR HP	NOM RPM	MOTOR PULLEY*	MOTOR PULLEY BUSHING*	BLOWER PULLEY*	BLOWER PULLEY BUSHING*	BELT*	BELT QTY	DRIVE SPEED (RPM)	DRIVE CENTER DIST
20	1150	8.6X2B-SK	SKX1 5/8	13.6X2B-SK	SKX2 3/16	BP82	2	1125.5	24.33
		5.6X3B-SD	SDX1 5/8	8.6X3B-SK	SKX2 3/16	BX69	3	1167.5	24.2
		8.0X2B-SK	SKX1 5/8	12.4X2B-SK	SKX2 3/16	BX79	2	1149	24.27
20	1200	6.4X3B-SD	SDX1 5/8	9.4X3B-SK	SKX2 3/16	BP72	3	1214.9	24.44
		7.4X2B-SK	SKX1 5/8	11.0X2B-SK	SKX2 3/16	BX76	2	1197.9	24.38
		5.8X3B-SD	SDX1 5/8	8.6X3B-SK	SKX2 3/16	BX70	3	1206.3	24.55
20	1250	8.6X2B-SK	SKX1 5/8	12.4X2B-SK	SKX2 3/16	BP80	2	1230.9	24.33
		6.6X3B-SD	SDX1 5/8	9.4X3B-SK	SKX2 3/16	BP72	3	1250.6	24.29
		8.6X2LB-SF	SFX1 5/8	12.4X2B-SK	SKX2 3/16	BP80	2	1230.9	24.33
20	1300	6.4X3B-SD	SDX1 5/8	8.6X3B-SK	SKX2 3/16	BP71	3	1322.8	24.59
		6.8X3B-SD	SDX1 5/8	9.4X3B-SK	SKX2 3/16	BP72	3	1286.3	24.14
		6.4X3B-SD	SDX1 5/8	8.6X3LB-SF	SFX2 3/16	BP71	3	1322.8	24.59
20	1350	6.6X3B-SD	SDX1 5/8	8.6X3B-SK	SKX2 3/16	BP71	3	1361.6	24.44
		9.4X2B-SK	SKX1 5/8	12.4X2B-SK	SKX2 3/16	BP81	2	1340.2	24.23
		5.6X3B-SD	SDX1 5/8	7.4X3B-SK	SKX2 3/16	BX67	3	1346.8	24.17
20	1400	6.4X3B-SD	SDX1 5/8	8.0X3B-SK	SKX2 3/16	BP70	3	1417.1	24.57
		8.6X2B-SK	SKX1 5/8	11.0X2B-SK	SKX2 3/16	BP78	2	1381.9	24.47
		7.4X2B-SK	SKX1 5/8	9.4X2B-SK	SKX2 3/16	BX73	2	1393.3	24.18
20	1450	6.6X3B-SD	SDX1 5/8	8.0X3B-SK	SKX2 3/16	BP70	3	1458.7	24.42
		7.0X3B-SK	SKX1 5/8	8.6X3B-SK	SKX2 3/16	BP71	3	1439.3	24.13
		6.6X3B-SD	SDX1 5/8	8.0X3LB-SF	SFX2 3/16	BP70	3	1458.7	24.42
20	1500	6.8X3B-SD	SDX1 5/8	8.0X3B-SK	SKX2 3/16	BP70	3	1500.3	24.26
		9.4X2B-SK	SKX1 5/8	11.0X2B-SK	SKX2 3/16	BP79	2	1504.6	24.36
		8.0X2B-SK	SKX1 5/8	9.4X2B-SK	SKX2 3/16	BX74	2	1500.3	24.22
25	1200	7.4X3B-SK	SKX1 7/8	11.0X3B-SK	SKX2 3/16	BP75	3	1197.9	23.88
		6.4X3B-SD	SDX1 7/8	9.4X3B-SK	SKX2 3/16	BX71	3	1214.9	23.94
		6.2X4B-SD	SDX1 7/8	9.4X4B-SK	SKX2 3/16	BP71	4	1179.3	24.09
25	1250	6.0X4B-SD	SDX1 7/8	8.6X4B-SK	SKX2 3/16	BP69	4	1245.1	23.89
		6.6X3B-SD	SDX1 7/8	9.4X3B-SK	SKX2 3/16	BX72	3	1250.6	24.29
		9.4X2B-SK	SKX1 7/8	13.6X2B-SK	SKX2 3/16	BX83	2	1225.4	24.24
25	1300	8.0X3B-SK	SKX1 7/8	11.0X3B-SK	SKX2 3/16	BP76	3	1289.9	23.93
		6.2X4B-SD	SDX1 7/8	8.6X4B-SK	SKX2 3/16	BP70	4	1284	24.24
		6.8X3B-SD	SDX1 7/8	9.4X3B-SK	SKX2 3/16	BX72	3	1286.3	24.14
25	1350	9.4X2B-SK	SKX1 7/8	12.4X2B-SK	SKX2 3/16	BX81	2	1340.2	24.23
		6.6X3B-SD	SDX1 7/8	8.6X3B-SK	SKX2 3/16	BX70	3	1361.6	23.94
		9.4X2LB-SF	SFX1 7/8	12.4X2B-SK	SKX2 3/16	BX81	2	1340.2	24.23
25	1400	7.4X3B-SK	SKX1 7/8	9.4X3B-SK	SKX2 3/16	BP73	3	1393.3	24.18
		6.8X3B-SD	SDX1 7/8	8.6X3B-SK	SKX2 3/16	BX71	3	1400.5	24.28
		6.2X4B-SD	SDX1 7/8	8.0X4B-SK	SKX2 3/16	BP69	4	1375.5	24.23

* Model number shown are for T B Woods

TABLE 48 - SUPPLY FAN DRIVES AIRFOIL CLASS 2 (CONT'D)

MTR HP	NOM RPM	MOTOR PULLEY*	MOTOR PULLEY BUSHING*	BLOWER PULLEY*	BLOWER PULLEY BUSHING*	BELT*	BELT QTY	DRIVE SPEED (RPM)	DRIVE CENTER DIST
25	1450	6.6X3B-SD	SDX1 7/8	8.0X3B-SK	SKX2 3/16	BX69	3	1458.7	23.92
		11.0X2B-SK	SKX1 7/8	13.6X2B-SK	SKX2 3/16	BP85	2	1425.3	24.04
		6.6X3B-SD	SDX1 7/8	8.0X3LB-SF	SFX2 3/16	BX69	3	1458.7	23.92
		7.0X3B-SK	SKX1 7/8	8.6X3B-SK	SKX2 3/16	BX71	3	1439.3	24.13
25	1500	7.4X3B-SK	SKX1 7/8	8.6X3B-SK	SKX2 3/16	BP71	3	1517	23.82
		9.4X2B-SK	SKX1 7/8	11.0X2B-SK	SKX2 3/16	BX78	2	1504.6	23.86
		8.0X3B-SK	SKX1 7/8	9.4X3B-SK	SKX2 3/16	BP74	3	1500.3	24.22
25	1550	11.0X2B-SK	SKX1 7/8	12.4X2B-SK	SKX2 3/16	BP83	2	1558.7	24.01
		6.6X3B-SD	SDX1 7/8	7.4X3B-SK	SKX2 3/16	BX68	3	1570.8	23.9
		6.2X4B-SD	SDX1 7/8	7.0X4B-SK	SKX2 3/16	BP67	4	1561.1	24.02
25	1600	6.8X3B-SD	SDX1 7/8	7.4X3B-SK	SKX2 3/16	BX69	3	1615.6	24.24
		8.6X3B-SK	SKX1 7/8	9.4X3B-SK	SKX2 3/16	BP75	3	1607.3	24.25
		6.4X4B-SD	SDX1 7/8	7.0X4B-SK	SKX2 3/16	BP67	4	1608.3	23.87
30	1300	6.8X4B-SD	SDX1 7/8	9.4X4B-SK	SKX2 3/16	BP72	4	1286.3	24.14
		7.0X4B-SK	SKX1 7/8	9.4X4B-SK	SKX2 3/16	BP72	4	1321.9	23.98
		8.0X3B-SK	SKX1 7/8	11.0X3B-SK	SKX2 3/16	BX76	3	1289.9	23.93
30	1350	9.4X3B-SK	SKX1 7/8	12.4X3B-SK	SKX2 3/16	BP81	3	1340.2	24.23
		6.0X4B-SD	SDX1 7/8	8.0X4B-SK	SKX2 3/16	BX68	4	1333.9	23.88
		9.4X3LB-SF	SFX1 7/8	12.4X3B-SK	SKX2 3/16	BP81	3	1340.2	24.23
30	1400	8.6X3B-SK	SKX1 7/8	11.0X3B-SK	SKX2 3/16	BP77	3	1381.9	23.97
		7.4X3B-SK	SKX1 7/8	9.4X3B-SK	SKX2 3/16	BX73	3	1393.3	24.18
		6.8X4B-SD	SDX1 7/8	8.6X4B-SK	SKX2 3/16	BP71	4	1400.5	24.28
30	1450	11.0X2B-SK	SKX1 7/8	13.6X2B-SK	SKX2 3/16	BX85	2	1425.3	24.04
		7.0X4B-SK	SKX1 7/8	8.6X4B-SK	SKX2 3/16	BP71	4	1439.3	24.13
		6.0X4B-SD	SDX1 7/8	7.4X4B-SK	SKX2 3/16	BX67	4	1436.4	23.86
30	1500	9.4X3B-SK	SKX1 7/8	11.0X3B-SK	SKX2 3/16	BP78	3	1504.6	23.86
		8.0X3B-SK	SKX1 7/8	9.4X3B-SK	SKX2 3/16	BX74	3	1500.3	24.22
		7.4X4B-SK	SKX1 7/8	8.6X4B-SK	SKX2 3/16	BP71	4	1517	23.82
30	1550	11.0X2B-SK	SKX1 7/8	12.4X2B-SK	SKX2 3/16	BX83	2	1558.7	24.01
		7.0X4B-SK	SKX1 7/8	8.0X4B-SK	SKX2 3/16	BP70	4	1541.9	24.11
		11.0X2LB-SF	SFX1 7/8	12.4X2B-SK	SKX2 3/16	BX83	2	1558.7	24.01
30	1600	8.6X3B-SK	SKX1 7/8	9.4X3B-SK	SKX2 3/16	BP75	3	1607.3	24.25
		8.6X3LB-SF	SFX1 7/8	9.4X3B-SK	SKX2 3/16	BP75	3	1607.3	24.25
		8.6X3B-SK	SKX1 7/8	9.4X3LB-SF	SFX2 3/16	BP75	3	1607.3	24.25
30	1650	8.0X3B-SK	SKX1 7/8	8.6X3B-SK	SKX2 3/16	BX72	3	1633.5	23.86
		7.0X4B-SK	SKX1 7/8	7.4X4B-SK	SKX2 3/16	BP69	4	1660.4	24.08
		7.4X4B-SK	SKX1 7/8	8.0X4B-SK	SKX2 3/16	BP70	4	1625.1	23.8

* Model number shown are for T B Woods

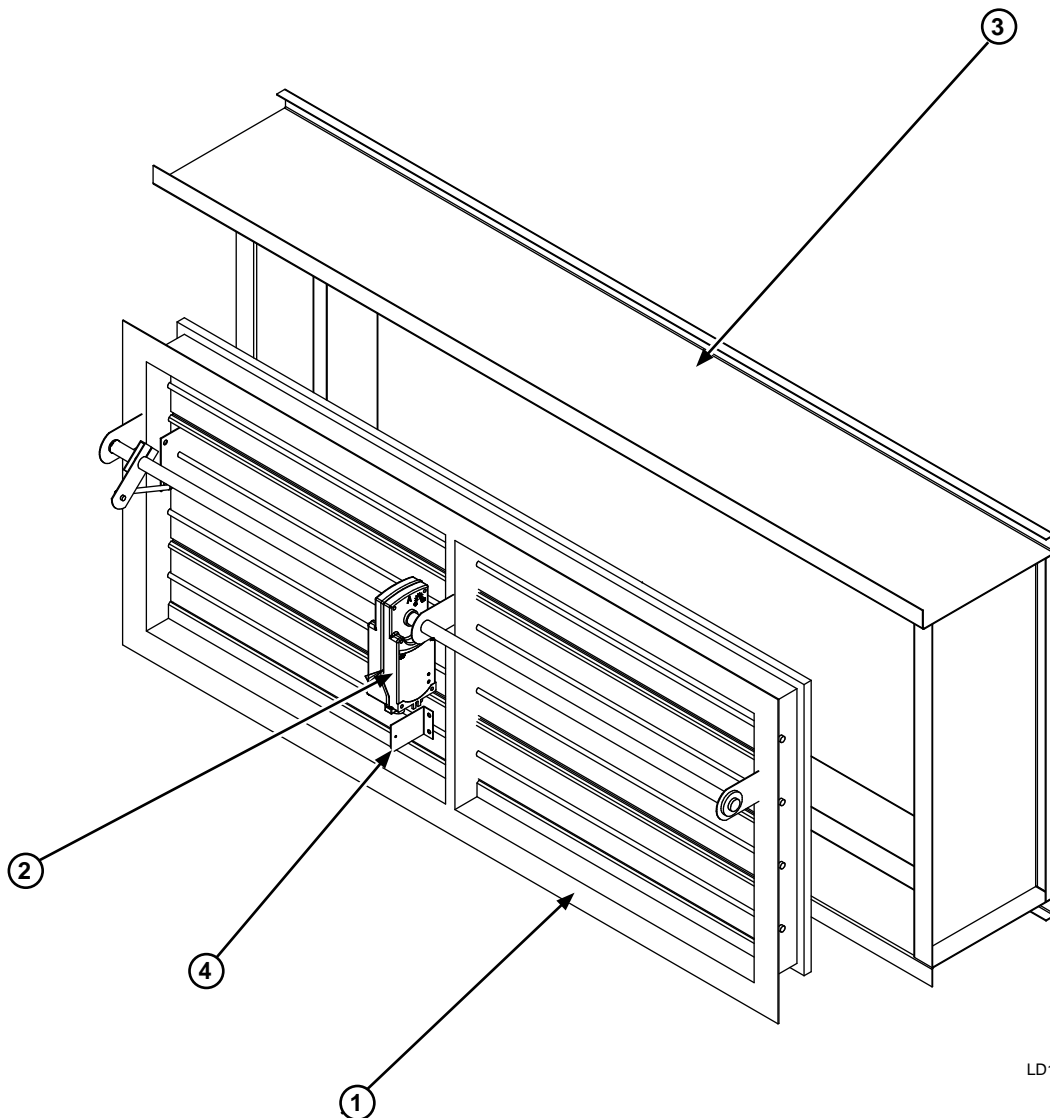
TABLE 48 - SUPPLY FAN DRIVES AIRFOIL CLASS 2 (CONT'D)

MTR HP	NOM RPM	MOTOR PULLEY*	MOTOR PULLEY BUSHING*	BLOWER PULLEY*	BLOWER PULLEY BUSHING*	BELT*	BELT QTY	DRIVE SPEED (RPM)	DRIVE CENTER DIST
30	1700	6.2X5B-SK	SKX1 7/8	6.4X5B-SK	SKX2 3/16	BP66	5	1698.6	24
		6.4X5B-SK	SKX1 7/8	6.6X5B-SK	SKX2 3/16	BP67	5	1700	24.18
		6.6X5B-SK	SKX1 7/8	6.8X5B-SK	SKX2 3/16	BP67	5	1701.4	23.87
40	1450	11.0X3B-SK	SKX2 1/8	13.6X3B-SK	SKX2 3/16	BX84	3	1425.3	23.54
		6.6X5B-SK	SKX2 1/8	8.0X5B-SF	SFX2 3/16	BX68	5	1458.7	23.42
		11.0X3LB-SF	SFX2 1/8	13.6X3B-SK	SKX2 3/16	BX84	3	1425.3	23.54
40	1500	9.4X4B-SK	SKX2 1/8	11.0X4B-SK	SKX2 3/16	BP77	4	1504.6	23.36
		8.0X4B-SK	SKX2 1/8	9.4X4B-SK	SKX2 3/16	BX73	4	1500.3	23.72
		7.4X5B-SF	SFX2 1/8	8.6X5B-SF	SFX2 3/16	BP70	5	1517	23.32
40	1550	11.0X3B-SK	SKX2 1/8	12.4X3B-SK	SKX2 3/16	BX82	3	1558.7	23.51
		11.0X4B-SK	SKX2 1/8	12.4X4B-SK	SKX2 3/16	BP82	4	1558.7	23.51
		11.0X3LB-SF	SFX2 1/8	12.4X3B-SK	SKX2 3/16	BX82	3	1558.7	23.51
40	1600	8.6X4B-SK	SKX2 1/8	9.4X4B-SK	SKX2 3/16	BP74	4	1607.3	23.75
		12.4X3B-SK	SKX2 1/8	13.6X3B-SK	SKX2 3/16	BP86	3	1600.1	23.47
		8.6X4B-SK	SKX2 1/8	9.4X4B-SK	SKX2 3/16	BX74	4	1607.3	23.75
40	1650	8.0X4B-SK	SKX2 1/8	8.6X4B-SK	SKX2 3/16	BX71	4	1633.5	23.36
		6.6X6B-SK	SKX2 1/8	7.0X6B-SF	SFX2 3/16	BP67	6	1655.5	23.71
		6.4X5B-SK	SKX2 1/8	6.8X5B-SK	SKX2 3/16	BX66	5	1652.9	23.53
40	1700	6.6X6B-SK	SKX2 1/8	6.8X6B-SK	SKX2 3/16	BP66	6	1701.4	23.37
		6.8X6B-SK	SKX2 1/8	7.0X6B-SF	SFX2 3/16	BP67	6	1702.7	23.56
		6.6X5B-SK	SKX2 1/8	6.8X5B-SK	SKX2 3/16	BX66	5	1701.4	23.37

* Model number shown are for T B Woods

TABLE 49 - FLEXSYS BY-PASS DAMPER

FIG	ITEM	DESCRIPTION	PART NUMBER
23	1	DAMPER 26.5 X 66	026-38840-066
23	2	ACTUATOR	025-36583-000
23	3	CURB BOX	026-36344-010
23	4	DAMPER BRACKET	085-10050-040



LD14398

FIG. 23 - FLEXSYS BY-PASS DAMPER

TABLE 50 - SUPPLY FAN VFD

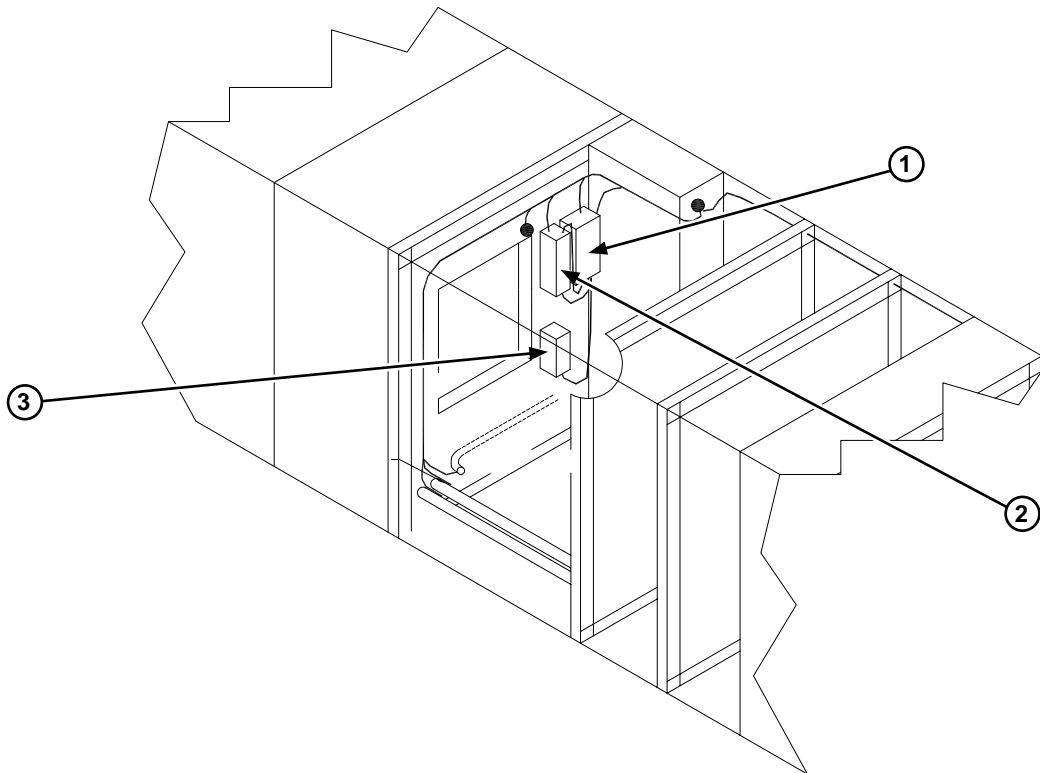
FIG	ITEM	HORSEPOWER	208/230 VOLT PART NUMBER	460 VOLT PART NUMBER	575 VOLT PART NUMBER
24	1	10	025-42047-003	025-42047-103	025-42047-203
24	1	15	025-42047-004	025-42047-104	025-42047-204
24	1	20	025-42047-005	025-42047-105	025-42047-205
24	1	25	025-42047-006	025-42047-106	025-42047-206
24	1	30	025-42047-007	025-42047-107	025-42047-207
24	1	40	-----	025-42047-108	025-42047-208

TABLE 51 - SUPPLY FAN VFD BYPASS

FIG	ITEM	HORSEPOWER	208/230 VOLT PART NUMBER	460 VOLT PART NUMBER	575 VOLT PART NUMBER
24	2	10	371-05198-005	371-05198-003	371-05198-002
24	2	15	371-05198-007	371-05198-004	371-05198-004
24	2	20	371-05198-008	371-05198-005	371-05198-004
24	2	25	371-05198-009	371-05198-006	371-05198-005
24	2	30	371-05198-010	371-05198-007	371-05198-006
24	2	40	-----	371-05198-008	371-05198-007

TABLE 52 - CONDENSER FAN VFD

FIG	ITEM	208/230 VOLT PART NUMBER	460 VOLT PART NUMBER	575 VOLT PART NUMBER
24	3	024-35393-102	024-35393-101	024-27369-000



LD14400

FIG. 24 - SUPPLY/CONDENSER FANS

TABLE 53 - EXHAUST FAN VFD

FIG	ITEM	HORSEPOWER	208/230 VOLT PART NUMBER	460 VOLT PART NUMBER	575 VOLT PART NUMBER
25	1	5	025-42047-001	025-42047-101	025-42047-201
25	1	7.5	025-42047-002	025-42047-102	025-42047-202
25	1	10	025-42047-003	025-42047-103	025-42047-203
25	1	15	025-42047-004	025-42047-104	025-42047-204
25	1	20	025-42047-005	025-42047-105	025-42047-205

TABLE 54 - EXHAUST FAN VFD BY PASS

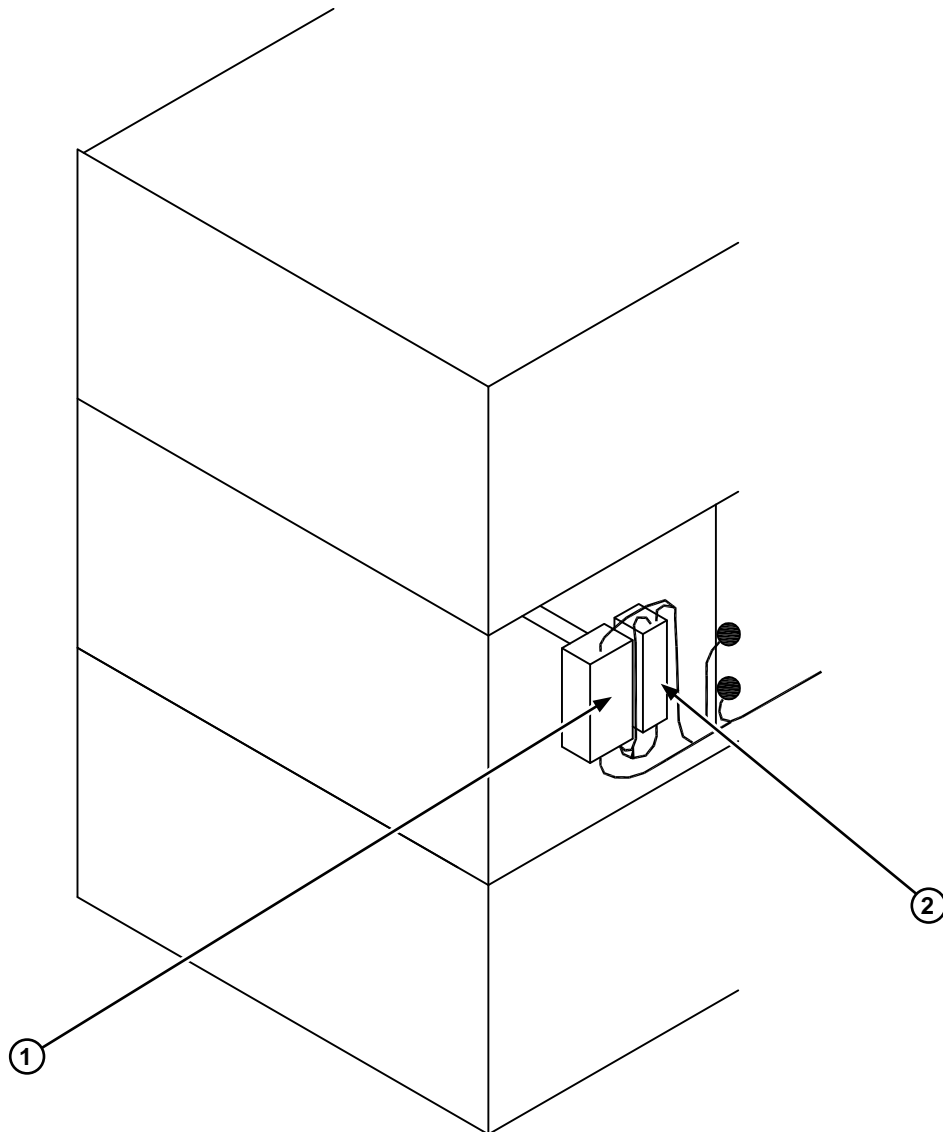
FIG	ITEM	HORSEPOWER	208/230 VOLT PART NUMBER	460 VOLT PART NUMBER	575 VOLT PART NUMBER
25	2	5	371-05199-003	371-05199-001	371 05199-001
25	2	7.5	371-05199-004	371-05199-002	371-05199-002
24	2	10	371-05198-005	371-05198-003	371-05198-002
24	2	15	371-05198-007	371-05198-004	371-05198-004
24	2	20	371-05198-008	371-05198-005	371-05198-004

TABLE 55 - RETURN FAN VFD

FIG	ITEM	HORSEPOWER	208/230 VOLT PART NUMBER	460 VOLT PART NUMBER	575 VOLT PART NUMBER
25	1	5	025-42047-003	025-42047-103	025-42047-203
25	1	7.5	025-42047-004	025-42047-104	025-42047-204
25	1	10	025-42047-005	025-42047-105	025-42047-205
25	1	15	NA	025-42047-107	025-42047-207

TABLE 56 - RETURN FAN OVERLOAD PANEL

FIG	ITEM	HORSEPOWER	208/230 VOLT PART NUMBER	460 VOLT PART NUMBER	575 VOLT PART NUMBER
25	2	5	371-05515-004	371-05515-001	371-05515-001
25	2	7.5	371-05515-005	371-05515-002	371-05515-001
25	2	10	371-05515-006	371-05515-003	371-05515-002
25	2	15	NA	371-05515-004	371-05515-004



LD14401

FIG. 25 - EXHAUST/RETURN FAN PANELS

TABLE 57 - SUPPLY FAN VFD BYPASS KIT PART NUMBER 371-05198-002

FIG	ITEM	DESCRIPTION	QTY	JOHNSON CONTROLS PART NUMBER	RAM PART NUMBER
26	1	CONTACTOR	2	024-35967-000	RI1-D1210-B7
26	2	OVERLOAD RELAY	1	024-35502-000	R12-D12316
26	3	MOUNTING COLLAR	1	025-39413-000	TE-ZB4BZ009
26	4	SELECTOR SWITCH	1	025-39414-000	TE-ZB4BD3
26	5	SWITCH N/O	1	025-39415-000	TE-ZBE1013

TABLE 58 - SUPPLY FAN VFD BYPASS KIT PART NUMBER 371-05198-003

FIG	ITEM	DESCRIPTION	QTY	JOHNSON CONTROLS PART NUMBER	RAM PART NUMBER
26	1	CONTACTOR	2	024-35968-000	RI1-D1810-B7
26	2	OVERLOAD RELAY	1	024-35503-000	R12-D18321
26	3	MOUNTING COLLAR	1	025-39413-000	TE-ZB4BZ009
26	4	SELECTOR SWITCH	1	025-39414-000	TE-ZB4BD3
26	5	SWITCH N/O	1	025-39415-000	TE-ZBE1013

TABLE 59 - SUPPLY FAN VFD BYPASS KIT PART NUMBER 371-05198-004

FIG	ITEM	DESCRIPTION	QTY	JOHNSON CONTROLS PART NUMBER	RAM PART NUMBER
26	1	CONTACTOR	2	024-35965-000	RI1-D2510-B7
26	2	OVERLOAD RELAY	1	024-35504-000	RI2-D25322
26	3	MOUNTING COLLAR	1	025-39413-000	TE-ZB4BZ009
26	4	SELECTOR SWITCH	1	025-39414-000	TE-ZB4BD3
26	5	SWITCH N/O	1	025-39415-000	TE-ZBE1013

TABLE 60 - SUPPLY FAN VFD BYPASS KIT PART NUMBER 371-05198-005

FIG	ITEM	DESCRIPTION	QTY	JOHNSON CONTROLS PART NUMBER	RAM PART NUMBER
26	1	CONTACTOR	2	025-36276-001	RI1-D3210-B7
26	2	OVERLOAD RELAY	1	024-35505-000	RI2-D32353
26	3	MOUNTING COLLAR	1	025-39413-000	TE-ZB4BZ009
26	4	SELECTOR SWITCH	1	025-39414-000	TE-ZB4BD3
26	5	SWITCH N/O	1	025-39415-000	TE-ZBE1013

TABLE 61 - SUPPLY FAN VFD BYPASS KIT PART NUMBER 371-05198-006

FIG	ITEM	DESCRIPTION	QTY	JOHNSON CONTROLS PART NUMBER	RAM PART NUMBER
27	1	CONTACTOR	2	024-35969-000	RI1-D4011-B7
27	2	OVERLOAD RELAY	1	024-35507-000	RI2-D40355
27	3	MOUNTING COLLAR	1	025-39413-000	TE-ZB4BZ009
27	4	SELECTOR SWITCH	1	025-39414-000	TE-ZB4BD3
27	5	SWITCH N/O	1	025-39415-000	TE-ZBE1013

TABLE 62 - SUPPLY FAN VFD BYPASS KIT PART NUMBER 371-05198-007

FIG	ITEM	DESCRIPTION	QTY	JOHNSON CONTROLS PART NUMBER	RAM PART NUMBER
27	1	CONTACTOR	2	025-36276-002	RI1-D5011-B7
27	2	OVERLOAD RELAY	1	024-35508-000	RI2-D65357
27	3	MOUNTING COLLAR	1	025-39413-000	TE-ZB4BZ009
27	4	SELECTOR SWITCH	1	025-39414-000	TE-ZB4BD3
27	5	SWITCH N/O	1	025-39415-000	TE-ZBE1013

TABLE 63 - SUPPLY FAN VFD BYPASS KIT PART NUMBER 371-05198-008

FIG	ITEM	DESCRIPTION	QTY	JOHNSON CONTROLS PART NUMBER	RAM PART NUMBER
27	1	CONTACTOR	2	025-36276-003	RI1-D6511-B7
27	2	OVERLOAD RELAY	1	024-35509-000	RI2-D65359
27	3	MOUNTING COLLAR	1	025-39413-000	TE-ZB4BZ009
27	4	SELECTOR SWITCH	1	025-39414-000	TE-ZB4BD3
27	5	SWITCH N/O	1	025-39415-000	TE-ZBE1013

TABLE 64 - SUPPLY FAN VFD BYPASS KIT PART NUMBER 371-05198-009

FIG	ITEM	DESCRIPTION	QTY	JOHNSON CONTROLS PART NUMBER	RAM PART NUMBER
27	1	CONTACTOR	2	025-36276-004	RI1-D8011-B7
27	2	OVERLOAD RELAY	1	024-35510-000	RI2-D80363
27	3	MOUNTING COLLAR	1	025-39413-000	TE-ZB4BZ009
27	4	SELECTOR SWITCH	1	025-39414-000	TE-ZB4BD3
27	5	SWITCH N/O	1	025-39415-000	TE-ZBE1013

TABLE 65 - EXHAUST FAN VFD BYPASS KIT PART NUMBER 371-05199-001

FIG	ITEM	DESCRIPTION	QTY	JOHNSON CONTROLS PART NUMBER	RAM PART NUMBER
26	1	CONTACTOR	2	024-35967-000	RI1-D1210-B7
26	2	OVERLOAD RELAY	1	024-35499-000	RI1-D09312
26	3	MOUNTING COLLAR	1	025-39413-000	TE-ZB4BZ009
26	4	SELECTOR SWITCH	1	025-39414-000	TE-ZB4BD3
26	5	SWITCH N/O	1	025-39415-000	TE-ZBE1013

TABLE 66 - EXHAUST FAN VFD BYPASS KIT PART NUMBER 371-05199-002

FIG	ITEM	DESCRIPTION	QTY	JOHNSON CONTROLS PART NUMBER	RAM PART NUMBER
26	1	CONTACTOR	2	024-35967-000	RI1-D1210-B7
26	2	OVERLOAD RELAY	1	024-35502-000	R12-D12316
26	3	MOUNTING COLLAR	1	025-39413-000	TE-ZB4BZ009
26	4	SELECTOR SWITCH	1	025-39414-000	TE-ZB4BD3
26	5	SWITCH N/O	1	025-39415-000	TE-ZBE1013

TABLE 67 - EXHAUST FAN VFD BYPASS KIT PART NUMBER 371-05199-003

FIG	ITEM	DESCRIPTION	QTY	JOHNSON CONTROLS PART NUMBER	RAM PART NUMBER
26	1	CONTACTOR	2	024-35968-000	RI1-D1810-B7
26	2	OVERLOAD RELAY	1	024-35503-000	R12-D18321
26	3	MOUNTING COLLAR	1	025-39413-000	TE-ZB4BZ009
26	4	SELECTOR SWITCH	1	025-39414-000	TE-ZB4BD3
26	5	SWITCH N/O	1	025-39415-000	TE-ZBE1013

TABLE 68 - EXHAUST FAN VFD BYPASS KIT PART NUMBER 371-05199-004

FIG	ITEM	DESCRIPTION	QTY	JOHNSON CONTROLS PART NUMBER	RAM PART NUMBER
26	1	CONTACTOR	2	024-35965-000	RI1-D2510-B7
26	2	OVERLOAD RELAY	1	024-35504-000	RI2-D25322
26	3	MOUNTING COLLAR	1	025-39413-000	TE-ZB4BZ009
26	4	SELECTOR SWITCH	1	025-39414-000	TE-ZB4BD3
26	5	SWITCH N/O	1	025-39415-000	TE-ZBE1013

TABLE 69 - EXHAUST FAN VFD BYPASS KIT PART NUMBER 371-05199-005

FIG	ITEM	DESCRIPTION	QTY	JOHNSON CONTROLS PART NUMBER	RAM PART NUMBER
26	1	CONTACTOR	2	025-36276-001	RI1-D3210-B7
26	2	OVERLOAD RELAY	1	024-35505-000	RI2-D32353
26	3	MOUNTING COLLAR	1	025-39413-000	TE-ZB4BZ009
26	4	SELECTOR SWITCH	1	025-39414-000	TE-ZB4BD3
26	5	SWITCH N/O	1	025-39415-000	TE-ZBE1013

TABLE 70 - EXHAUST FAN VFD BYPASS KIT PART NUMBER 371-05199-006

FIG	ITEM	DESCRIPTION	QTY	JOHNSON CONTROLS PART NUMBER	RAM PART NUMBER
27	1	CONTACTOR	2	024-35969-000	RI1-D4011-B7
27	2	OVERLOAD RELAY	1	024-35507-000	RI2-D40355
27	3	MOUNTING COLLAR	1	025-39413-000	TE-ZB4BZ009
27	4	SELECTOR SWITCH	1	025-39414-000	TE-ZB4BD3
27	5	SWITCH N/O	1	025-39415-000	TE-ZBE1013

TABLE 71 - EXHAUST FAN VFD BYPASS KIT PART NUMBER 371-05199-007

FIG	ITEM	DESCRIPTION	QTY	JOHNSON CONTROLS PART NUMBER	RAM PART NUMBER
27	1	CONTACTOR	2	025-36276-002	RI1-D5011-B7
27	2	OVERLOAD RELAY	1	024-35508-000	RI2-D65357
27	3	MOUNTING COLLAR	1	025-39413-000	TE-ZB4BZ009
27	4	SELECTOR SWITCH	1	025-39414-000	TE-ZB4BD3
27	5	SWITCH N/O	1	025-39415-000	TE-ZBE1013

TABLE 72 - EXHAUST FAN VFD BYPASS KIT PART NUMBER 371-05199-008

FIG	ITEM	DESCRIPTION	QTY	JOHNSON CONTROLS PART NUMBER	RAM PART NUMBER
27	1	CONTACTOR	2	025-36276-003	RI1-D6511-B7
27	2	OVERLOAD RELAY	1	024-35509-000	RI2-D65359
27	3	MOUNTING COLLAR	1	025-39413-000	TE-ZB4BZ009
27	4	SELECTOR SWITCH	1	025-39414-000	TE-ZB4BD3
27	5	SWITCH N/O	1	025-39415-000	TE-ZBE1013

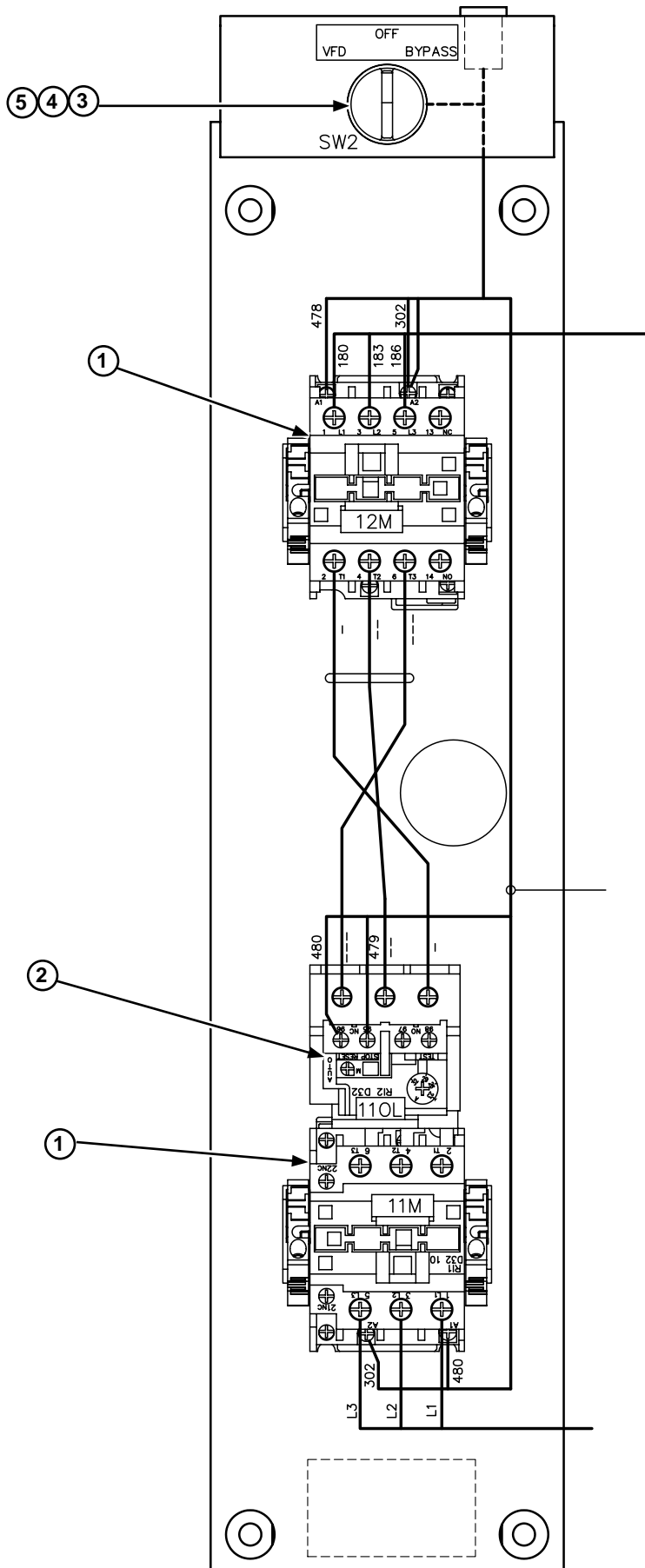


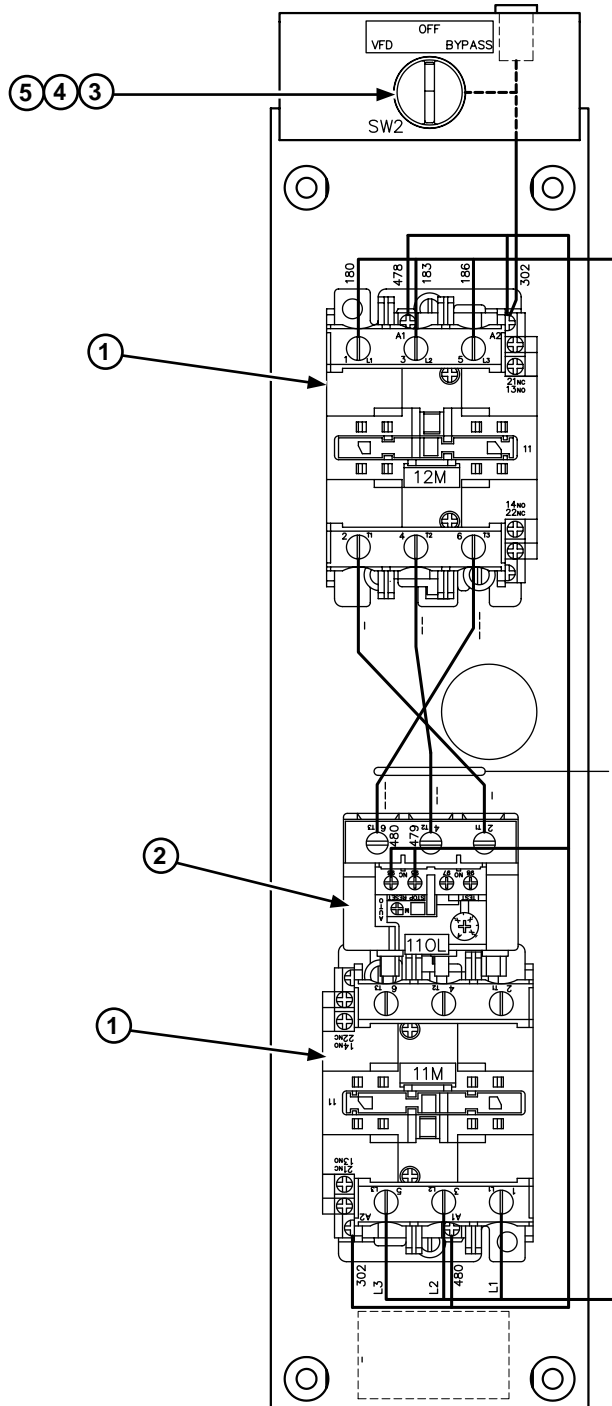
FIG. 26 - VFD BYPASS KITS

JOHNSON CONTROLS

LD14377

TABLE 73 - VFD BYPASS KIT PART NUMBER 371-05198-010

FIG	ITEM	DESCRIPTION	QTY	JOHNSON CONTROLS PART NUMBER	RAM PART NUMBER
27	1	CONTACTOR	2	025-36276-005	RI1-D9511-B7
27	2	OVERLOAD RELAY	1	024-35511-000	RI2-D95365
27	3	MOUNTING COLLAR	1	025-39413-000	TE-ZB4BZ009
27	4	SELECTOR SWITCH	1	025-39414-000	TE-ZB4BD3
27	5	SWITCH N/O	1	025-39415-000	TE-ZBE1013



LD14378

FIG. 27 - VFD BYPASS KITS

TABLE 74 - RETURN FAN OVERLOAD PANEL 371-05515-001

FIG	ITEM	DESCRIPTION	QTY	JOHNSON CONTROLS PART NUMBER	SQUARE D / RAM PART NUMBER
28	1	OVERLOAD RELAY	2	-----	GV2ME14

TABLE 75 - RETURN FAN OVERLOAD PANEL 371-05515-002

FIG	ITEM	DESCRIPTION	QTY	JOHNSON CONTROLS PART NUMBER	SQUARE D / RAM PART NUMBER
28	1	OVERLOAD RELAY	2	-----	GV2ME16

TABLE 76 - RETURN FAN OVERLOAD PANEL 371-05515-003

FIG	ITEM	DESCRIPTION	QTY	JOHNSON CONTROLS PART NUMBER	SQUARE D / RAM PART NUMBER
28	1	OVERLOAD RELAY	2	-----	GV2ME20

TABLE 77 - RETURN FAN OVERLOAD PANEL 371-05515-004

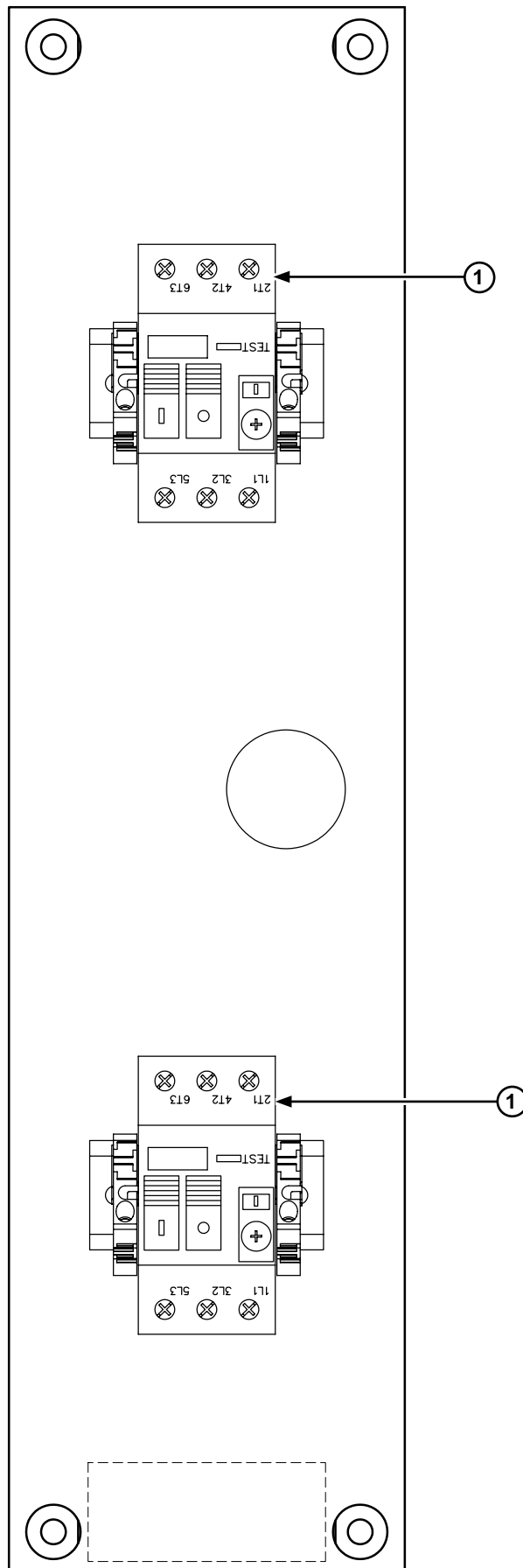
FIG	ITEM	DESCRIPTION	QTY	JOHNSON CONTROLS PART NUMBER	SQUARE D / RAM PART NUMBER
28	1	OVERLOAD RELAY	2	-----	GV2ME21

TABLE 78 - RETURN FAN OVERLOAD PANEL 371-05515-005

FIG	ITEM	DESCRIPTION	QTY	JOHNSON CONTROLS PART NUMBER	SQUARE D / RAM PART NUMBER
28	1	OVERLOAD RELAY	2	-----	GV2ME22

TABLE 79 - RETURN FAN OVERLOAD PANEL 371-05515-006

FIG	ITEM	DESCRIPTION	QTY	JOHNSON CONTROLS PART NUMBER	SQUARE D / RAM PART NUMBER
28	1	OVERLOAD RELAY	2	-----	GV2ME32

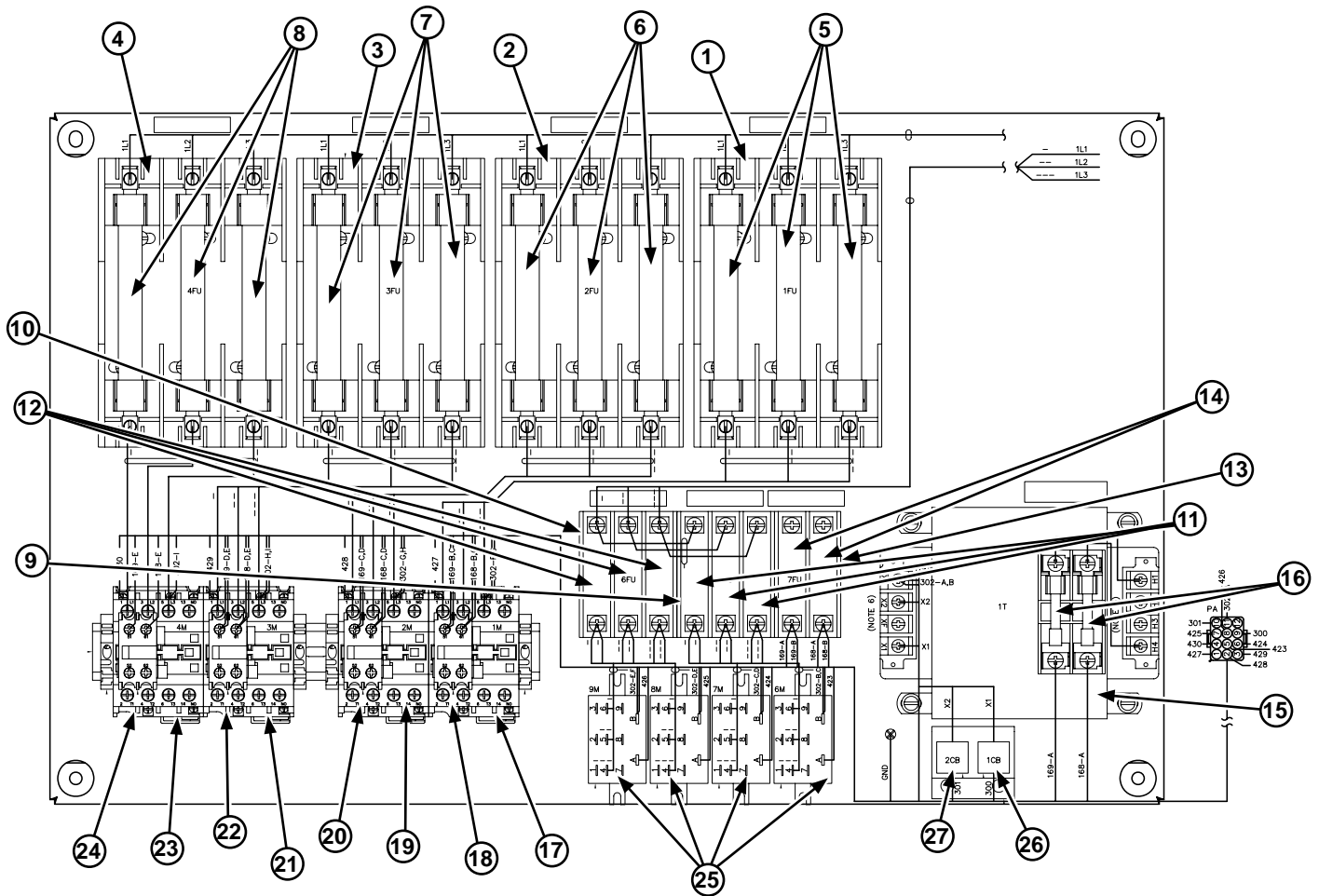


LD14388

FIG. 28 - RETURN FAN OVERLOAD PANEL

TABLE 80 - MAIN CONTROL BOX

LCR 50 - 208/230				
FIG	ITEM	DESCRIPTION	RAM PART NUMBER	QTY
29	1	1 FU FUSE BLOCK 3 POLE 60 AMP	FH-0041	1
29	2	2 FU FUSE BLOCK 3 POLE 100 AMP	FH-0044	1
29	3	3 FU FUSE BLOCK 3 POLE 60 AMP	FH-0041	1
29	4	4 FU FUSE BLOCK 3 POLE 100 AMP	FH-0044	1
29	5	1 FU FUSE - 250 VOLT CLASS RK5 TIME DELAY 60 AMP	FU-0261	3
29	6	2 FU FUSE - 250 VOLT CLASS RK5 TIME DELAY 80AMP	FU-0266	3
29	7	3 FU FUSE - 250 VOLT CLASS RK5 TIME DELAY 60 AMP	FU-0261	3
29	8	4 FU FUSE - 250 VOLT CLASS RK5 TIME DELAY 80AMP	FU-0266	3
29	9	5 FU FUSE BLOCK 3 POLE 30 AMP	FH-0021	1
29	10	6 FU FUSE BLOCK 3 POLE 30 AMP	FH-0021	1
29	11	5 FU FUSE - 600 VOLT CLASS CC TIME DELAY 20 AMP	FU-0495	3
29	12	6 FU FUSE - 600 VOLT CLASS CC TIME DELAY 20 AMP	FU-0495	3
29	13	7 FU FUSE BLOCK 2 POLE 30 AMP	FH-0020	1
29	14	7 FU FUSE - 600 VOLT CLASS CC, TYPE FNQ-R, 8 AMP	FU-0222	2



210297 SHT 1 REV E

FIG. 29 - MAIN CONTROL BOX

TABLE 80 - MAIN CONTROL BOX (CONT'D)

LCR 50 - 208/230				
FIG	ITEM	DESCRIPTION	RAM PART NUMBER	QTY
29	15	1T TRANSFORMER 500 VA 460/230/208-115/24V	XF-0619	1
29	16	FU FUSE - 600VOLT CLASS CC, TYPE FNQ-R, 6 AMPS	FU-0220	2
29	17	1M CONTACTOR, 3 POLE, 40A, 24V COIL, 1 NO/ 1NC	RI1-D4011-B7	1
29	18	1M AUXILIARY CONTACT 2 - NC	RI1D-N02	1
29	19	2M CONTACTOR, 3 POLE, 50 A, 24V COIL, 1 NO/ 1NC	RI1-D5011-B7	1
29	20	2M AUXILIARY CONTACT 2 - NC	RI1D-N02	1
29	21	3M CONTACTOR, 3 POLE, 40A, 24V COIL, 1 NO/ 1NC	RI1-D4011-B7	1
29	22	3M AUXILIARY CONTACT 2 - NC	RI1D-N02	1
29	23	4M CONTACTOR, 3 POLE, 50 A, 24V COIL, 1 NO/ 1NC	RI1-D5011-B7	1
29	24	4M AUXILIARY CONTACT 2 - NC	RI1D-N02	1
29	25	5M, 6M, 7M, 8M - RELAY 3 POLE 30 AMP 24V COIL	RY-0953	4
29	26	1CB CIRCUIT BREAKER - 2 AMPS	CB-0986	1
29	27	2CB CIRCUIT BREAKER - 15 AMPS	CB-0985	1
LCR 50 - 460				
FIG	ITEM	DESCRIPTION	RAM PART NUMBER	QTY
29	1	1 FU FUSE BLOCK 3 POLE 30 AMP	FH-0048	1
29	2	2 FU FUSE BLOCK 3 POLE 30 AMP	FH-0048	1
29	3	3 FU FUSE BLOCK 3 POLE 30 AMP	FH-0048	1
29	4	4 FU FUSE BLOCK 3 POLE 30 AMP	FH-0048	1
29	5	1 FU FUSE - 600 VOLT CLASS RK5 TIME DELAY 30 AMP	FU-0694	3
29	6	2 FU FUSE - 600 VOLT CLASS RK5 TIME DELAY 30 AMP	FU-0694	3
29	7	3 FU FUSE - 600 VOLT CLASS RK5 TIME DELAY 30 AMP	FU-0694	3
29	8	4 FU FUSE - 600 VOLT CLASS RK5 TIME DELAY 30 AMP	FU-0694	3
29	9	5 FU FUSE BLOCK 3 POLE 30 AMP	FH-0021	1
29	10	6 FU FUSE BLOCK 3 POLE 30 AMP	FH-0021	1
29	11	5 FU FUSE - 600 VOLT CLASS CC TIME DELAY 10 AMP	FU-0492	3
29	12	6 FU FUSE - 600 VOLT CLASS CC TIME DELAY 10 AMP	FU-0492	3
29	13	7 FU FUSE BLOCK 2 POLE 30 AMP	FH-0020	1
29	14	7 FU FUSE - 600 VOLT CLASS CC, TYPE FNQ-R, 4 AMP	FU-0218	2
29	15	1T TRANSFORMER 500 VA 460/230/208-115/24V	XF-0619	1
29	16	FU FUSE - 600VOLT CLASS CC, TYPE FNQ-R, 3 AMPS	FU-0215	2
29	17	1M CONTACTOR, 3 POLE, 25 A, 24V COIL, 1 NO	RI1D2510-B7	1
29	18	1M AUXILIARY CONTACT 2 - NC	RI1D-N02	1
29	19	2M CONTACTOR, 3 POLE, 25 A, 24V COIL, 1 NO	RI1D2510-B7	1
29	20	2M AUXILIARY CONTACT 2 - NC	RI1D-N02	1
29	21	3M CONTACTOR, 3 POLE, 25 A, 24V COIL, 1 NO	RL1D2510-B7	1
29	22	3M AUXILIARY CONTACT 2 - NC	RI1D-N02	1
29	23	4M CONTACTOR, 3 POLE, 25 A, 24V COIL, 1 NO	RL1D2510-B7	1
29	24	4M AUXILIARY CONTACT 2 - NC	RI1D-N02	1
29	25	5M, 6M, 7M, 8M - RELAY 3 POLE 30 AMP 24V COIL	RY-0953	4
29	26	1CB CIRCUIT BREAKER - 2 AMPS	CB-0986	1
29	27	2CB CIRCUIT BREAKER - 15 AMPS	CB-0985	1

TABLE 80 - MAIN CONTROL BOX (CONT'D)

LCR 50 - 575				
FIG	ITEM	DESCRIPTION	RAM PART NUMBER	QTY
29	1	1 FU FUSE BLOCK 3 POLE 30 AMP	FH-0048	1
29	2	2 FU FUSE BLOCK 3 POLE 30 AMP	FH-0048	1
29	3	3 FU FUSE BLOCK 3 POLE 30 AMP	FH-0048	1
29	4	4 FU FUSE BLOCK 3 POLE 30 AMP	FH-0048	1
29	5	1 FU FUSE - 600 VOLT CLASS RK5 TIME DELAY 20 AMP	FU-0287	3
29	6	2 FU FUSE - 600 VOLT CLASS RK5 TIME DELAY 25 AMP	FU-0289	3
29	7	3 FU FUSE - 600 VOLT CLASS RK5 TIME DELAY 20 AMP	FU-0287	3
29	8	4 FU FUSE - 600 VOLT CLASS RK5 TIME DELAY 25 AMP	FU-0289	3
29	9	5 FU FUSE BLOCK 3 POLE 30 AMP	FH-0021	1
29	10	6 FU FUSE BLOCK 3 POLE 30 AMP	FH-0021	1
29	11	5 FU FUSE - 600 VOLT CLASS CC TIME DELAY 8 AMP	FU-0490	3
29	12	6 FU FUSE - 600 VOLT CLASS CC TIME DELAY 8 AMP	FU-0490	3
29	13	7 FU FUSE BLOCK 2 POLE 30 AMP	FH-0020	1
29	14	7 FU FUSE - 600 VOLT CLASS CC, TYPE FNQ-R, 4 AMP	FU-0218	2
29	15	1T TRANSFORMER 500 VA 575-115/24V	XF-0898	1
29	16	FU FUSE - 600VOLT CLASS CC, TYPE FNQ-R, 3 AMPS	FU-0215	2
29	17	1M CONTACTOR, 3 POLE, 25 A, 24V COIL, 1 NO	RL1D2510-B7	1
29	18	1M AUXILIARY CONTACT 2 - NC	RI1D-N02	1
29	19	2M CONTACTOR, 3 POLE, 25 A, 24V COIL, 1 NO	RL1D2510-B7	1
29	20	2M AUXILIARY CONTACT 2 - NC	RI1D-N02	1
29	21	3M CONTACTOR, 3 POLE, 25 A, 24V COIL, 1 NO	RL1D2510-B7	1
29	22	3M AUXILIARY CONTACT 2 - NC	RI1D-N02	1
29	23	4M CONTACTOR, 3 POLE, 25 A, 24V COIL, 1 NO	RL1D2510-B7	1
29	24	4M AUXILIARY CONTACT 2 - NC	RI1D-N02	1
29	25	5M, 6M, 7M, 8M - RELAY 3 POLE 30 AMP 24V COIL	RY-0953	4
29	26	1CB CIRCUIT BREAKER - 2 AMPS	CB-0986	1
29	27	2CB CIRCUIT BREAKER - 15 AMPS	CB-0985	1

TABLE 80 - MAIN CONTROL BOX (CONT'D)

LCR 51 - 208/230				
FIG	ITEM	DESCRIPTION	RAM PART NUMBER	QTY
29	1	1 FU FUSE BLOCK 3 POLE 100 AMP	FH-0044	1
29	2	2 FU FUSE BLOCK 3 POLE 100 AMP	FH-0044	1
29	3	3 FU FUSE BLOCK 3 POLE 100 AMP	FH-0044	1
29	4	4 FU FUSE BLOCK 3 POLE 100 AMP	FH-0044	1
29	5	1 FU FUSE - 250 VOLT CLASS RK5 TIME DELAY 80AMP	FU-0266	3
29	6	2 FU FUSE - 250 VOLT CLASS RK5 TIME DELAY 80AMP	FU-0266	3
29	7	3 FU FUSE - 250 VOLT CLASS RK5 TIME DELAY 80AMP	FU-0266	3
29	8	4 FU FUSE - 250 VOLT CLASS RK5 TIME DELAY 80AMP	FU-0266	3
29	9	5 FU FUSE BLOCK 3 POLE 30 AMP	FH-0021	1
29	10	6 FU FUSE BLOCK 3 POLE 30 AMP	FH-0021	1
29	11	5 FU FUSE - 600 VOLT CLASS CC TIME DELAY 20 AMP	FU-0495	3
29	12	6 FU FUSE - 600 VOLT CLASS CC TIME DELAY 20 AMP	FU-0495	3
29	13	7 FU FUSE BLOCK 2 POLE 30 AMP	FH-0020	1
29	14	7 FU FUSE - 600 VOLT CLASS CC, TYPE FNQ-R, 8 AMP	FU-0222	2
29	15	1T TRANSFORMER 500 VA 460/230/208-115/24V	XF-0619	1
29	16	FU FUSE - 600VOLT CLASS CC, TYPE FNQ-R, 6 AMPS	FU-0220	2
29	17	1M CONTACTOR, 3 POLE, 50 A, 24V COIL, 1 NO/ 1NC	RI1-D5011-B7	1
29	18	1M AUXILIARY CONTACT 2 - NC	RI1D-N02	1
29	19	2M CONTACTOR, 3 POLE, 50 A, 24V COIL, 1 NO/ 1NC	RI1-D5011-B7	1
29	20	2M AUXILIARY CONTACT 2 - NC	RI1D-N02	1
29	21	3M CONTACTOR, 3 POLE, 50 A, 24V COIL, 1 NO/ 1NC	RI1-D5011-B7	1
29	22	3M AUXILIARY CONTACT 2 - NC	RI1D-N02	1
29	23	4M CONTACTOR, 3 POLE, 50 A, 24V COIL, 1 NO/ 1NC	RI1-D5011-B7	1
29	24	4M AUXILIARY CONTACT 2 - NC	RI1D-N02	1
29	25	5M, 6M, 7M, 8M - RELAY 3 POLE 30 AMP 24V COIL	RY-0953	4
29	26	1CB CIRCUIT BREAKER - 2 AMPS	CB-0986	1
29	27	2CB CIRCUIT BREAKER - 15 AMPS	CB-0985	1

TABLE 80 - MAIN CONTROL BOX (CONT'D)

LCR 51 - 460				
FIG	ITEM	DESCRIPTION	RAM PART NUMBER	QTY
29	1	1 FU FUSE BLOCK 3 POLE 30 AMP	FH-0048	1
29	2	2 FU FUSE BLOCK 3 POLE 30 AMP	FH-0048	1
29	3	3 FU FUSE BLOCK 3 POLE 30 AMP	FH-0048	1
29	4	4 FU FUSE BLOCK 3 POLE 30 AMP	FH-0048	1
29	5	1 FU FUSE - 600 VOLT CLASS RK5 TIME DELAY 30 AMP	FU-0694	3
29	6	2 FU FUSE - 600 VOLT CLASS RK5 TIME DELAY 30 AMP	FU-0694	3
29	7	3 FU FUSE - 600 VOLT CLASS RK5 TIME DELAY 30 AMP	FU-0694	3
29	8	4 FU FUSE - 600 VOLT CLASS RK5 TIME DELAY 30 AMP	FU-0694	3
29	9	5 FU FUSE BLOCK 3 POLE 30 AMP	FH-0021	1
29	10	6 FU FUSE BLOCK 3 POLE 30 AMP	FH-0021	1
29	11	5 FU FUSE - 600 VOLT CLASS CC TIME DELAY 10 AMP	FU-0492	3
29	12	6 FU FUSE - 600 VOLT CLASS CC TIME DELAY 10 AMP	FU-0492	3
29	13	7 FU FUSE BLOCK 2 POLE 30 AMP	FH-0020	1
29	14	7 FU FUSE - 600 VOLT CLASS CC, TYPE FNQ-R, 4 AMP	FU-0218	2
29	15	1T TRANSFORMER 500 VA 460/230/208-115/24V	XF-0619	1
29	16	FU FUSE - 600VOLT CLASS CC, TYPE FNQ-R, 3 AMPS	FU-0215	2
29	17	1M CONTACTOR, 3 POLE, 25 A, 24V COIL, 1 NO	RI1D2510-B7	1
29	18	1M AUXILIARY CONTACT 2 - NC	RI1D-N02	1
29	19	2M CONTACTOR, 3 POLE, 25 A, 24V COIL, 1 NO	RI1D2510-B7	1
29	20	2M AUXILIARY CONTACT 2 - NC	RI1D-N02	1
29	21	3M CONTACTOR, 3 POLE, 25 A, 24V COIL, 1 NO	RL1D2510-B7	1
29	22	3M AUXILIARY CONTACT 2 - NC	RI1D-N02	1
29	23	4M CONTACTOR, 3 POLE, 25 A, 24V COIL, 1 NO	RL1D2510-B7	1
29	24	4M AUXILIARY CONTACT 2 - NC	RI1D-N02	1
29	25	5M, 6M, 7M, 8M - RELAY 3 POLE 30 AMP 24V COIL	RY-0953	4
29	26	1CB CIRCUIT BREAKER - 2 AMPS	CB-0986	1
29	27	2CB CIRCUIT BREAKER - 15 AMPS	CB-0985	1

TABLE 80 - MAIN CONTROL BOX (CONT'D)

LCR 51 - 575				
FIG	ITEM	DESCRIPTION	RAM PART NUMBER	QTY
29	1	1 FU FUSE BLOCK 3 POLE 30 AMP	FH-0048	1
29	2	2 FU FUSE BLOCK 3 POLE 30 AMP	FH-0048	1
29	3	3 FU FUSE BLOCK 3 POLE 30 AMP	FH-0048	1
29	4	4 FU FUSE BLOCK 3 POLE 30 AMP	FH-0048	1
29	5	1 FU FUSE - 600 VOLT CLASS RK5 TIME DELAY 25 AMP	FU-0289	3
29	6	2 FU FUSE - 600 VOLT CLASS RK5 TIME DELAY 25 AMP	FU-0289	3
29	7	3 FU FUSE - 600 VOLT CLASS RK5 TIME DELAY 25 AMP	FU-0289	3
29	8	4 FU FUSE - 600 VOLT CLASS RK5 TIME DELAY 25 AMP	FU-0289	3
29	9	5 FU FUSE BLOCK 3 POLE 30 AMP	FH-0021	1
29	10	6 FU FUSE BLOCK 3 POLE 30 AMP	FH-0021	1
29	11	5 FU FUSE - 600 VOLT CLASS CC TIME DELAY 8 AMP	FU-0490	3
29	12	6 FU FUSE - 600 VOLT CLASS CC TIME DELAY 8 AMP	FU-0490	3
29	13	7 FU FUSE BLOCK 2 POLE 30 AMP	FH-0020	1
29	14	7 FU FUSE - 600 VOLT CLASS CC, TYPE FNQ-R, 4 AMP	FU-0218	2
29	15	1T TRANSFORMER 500 VA 575-115/24V	XF-0898	1
29	16	FU FUSE - 600VOLT CLASS CC, TYPE FNQ-R, 3 AMPS	FU-0215	2
29	17	1M CONTACTOR, 3 POLE, 25 A, 24V COIL, 1 NO	RL1D2510-B7	1
29	18	1M AUXILIARY CONTACT 2 - NC	RI1D-N02	1
29	19	2M CONTACTOR, 3 POLE, 25 A, 24V COIL, 1 NO	RL1D2510-B7	1
29	20	2M AUXILIARY CONTACT 2 - NC	RI1D-N02	1
29	21	3M CONTACTOR, 3 POLE, 25 A, 24V COIL, 1 NO	RL1D2510-B7	1
29	22	3M AUXILIARY CONTACT 2 - NC	RI1D-N02	1
29	23	4M CONTACTOR, 3 POLE, 25 A, 24V COIL, 1 NO	RL1D2510-B7	1
29	24	4M AUXILIARY CONTACT 2 - NC	RI1D-N02	1
29	25	5M, 6M, 7M, 8M - RELAY 3 POLE 30 AMP 24V COIL	RY-0953	4
29	26	1CB CIRCUIT BREAKER - 2 AMPS	CB-0986	1
29	27	2CB CIRCUIT BREAKER - 15 AMPS	CB-0985	1

TABLE 80 - MAIN CONTROL BOX (CONT'D)

LCR 60 - 208/230				
FIG	ITEM	DESCRIPTION	RAM PART NUMBER	QTY
29	1	1 FU FUSE BLOCK 3 POLE 100 AMP	FH-0044	1
29	2	2 FU FUSE BLOCK 3 POLE 100 AMP	FH-0044	1
29	3	3 FU FUSE BLOCK 3 POLE 100 AMP	FH-0044	1
29	4	4 FU FUSE BLOCK 3 POLE 100 AMP	FH-0044	1
29	5	1 FU FUSE - 250 VOLT CLASS RK5 TIME DELAY 80AMP	FU-0266	3
29	6	2 FU FUSE - 250 VOLT CLASS RK5 TIME DELAY 90 AMP	FU-0268	3
29	7	3 FU FUSE - 250 VOLT CLASS RK5 TIME DELAY 80AMP	FU-0266	3
29	8	4 FU FUSE - 250 VOLT CLASS RK5 TIME DELAY 90 AMP	FU-0268	3
29	9	5 FU FUSE BLOCK 3 POLE 30 AMP	FH-0021	1
29	10	6 FU FUSE BLOCK 3 POLE 30 AMP	FH-0021	1
29	11	5 FU FUSE - 600 VOLT CLASS CC TIME DELAY 20 AMP	FU-0495	3
29	12	6 FU FUSE - 600 VOLT CLASS CC TIME DELAY 20 AMP	FU-0495	3
29	13	7 FU FUSE BLOCK 2 POLE 30 AMP	FH-0020	1
29	14	7 FU FUSE - 600 VOLT CLASS CC, TYPE FNQ-R, 8 AMP	FU-0222	2
29	15	1T TRANSFORMER 500 VA 460/230/208-115/24V	XF-0619	1
29	16	FU FUSE - 600VOLT CLASS CC, TYPE FNQ-R, 6 AMPS	FU-0220	2
29	17	1M CONTACTOR, 3 POLE, 50 A, 24V COIL, 1 NO/ 1NC	RI1-D5011-B7	1
29	18	1M AUXILIARY CONTACT 2 - NC	RI1D-N02	1
29	19	2M CONTACTOR, 3 POLE, 65A, 24V COIL, 1 NO/ 1NC	RI1-D6511-B7	1
29	20	2M AUXILIARY CONTACT 2 - NC	RI1D-N02	1
29	21	3M CONTACTOR, 3 POLE, 50 A, 24V COIL, 1 NO/ 1NC	RI1-D5011-B7	1
29	22	3M AUXILIARY CONTACT 2 - NC	RI1D-N02	1
29	23	4M CONTACTOR, 3 POLE, 65A, 24V COIL, 1 NO/ 1NC	RI1-D6511-B7	1
29	24	4M AUXILIARY CONTACT 2 - NC	RI1D-N02	1
29	25	5M, 6M, 7M, 8M - RELAY 3 POLE 30 AMP 24V COIL	RY-0953	4
29	26	1CB CIRCUIT BREAKER - 2 AMPS	CB-0986	1
29	27	2CB CIRCUIT BREAKER - 15 AMPS	CB-0985	1

TABLE 80 - MAIN CONTROL BOX (CONT'D)

LCR 60 - 460				
FIG	ITEM	DESCRIPTION	RAM PART NUMBER	QTY
29	1	1 FU FUSE BLOCK 3 POLE 30 AMP	FH-0048	1
29	2	2 FU FUSE BLOCK 3 POLE 60 AMP	FH-0051	1
29	3	3 FU FUSE BLOCK 3 POLE 30 AMP	FH-0048	1
29	4	4 FU FUSE BLOCK 3 POLE 60 AMP	FH-0051	1
29	5	1 FU FUSE - 600 VOLT CLASS RK5 TIME DELAY 30 AMP	FU-0694	3
29	6	2 FU FUSE - 600 VOLT CLASS RK5 TIME DELAY 45 AMP	FU-301	3
29	7	3 FU FUSE - 600 VOLT CLASS RK5 TIME DELAY 30 AMP	FU-0694	3
29	8	4 FU FUSE - 600 VOLT CLASS RK5 TIME DELAY 45 AMP	FU-0301	3
29	9	5 FU FUSE BLOCK 3 POLE 30 AMP	FH-0021	1
29	10	6 FU FUSE BLOCK 3 POLE 30 AMP	FH-0021	1
29	11	5 FU FUSE - 600 VOLT CLASS CC TIME DELAY 10 AMP	FU-0492	3
29	12	6 FU FUSE - 600 VOLT CLASS CC TIME DELAY 10 AMP	FU-0492	3
29	13	7 FU FUSE BLOCK 2 POLE 30 AMP	FH-0020	1
29	14	7 FU FUSE - 600 VOLT CLASS CC, TYPE FNQ-R, 4 AMP	FU-0218	2
29	15	1T TRANSFORMER 500 VA 460/230/208-115/24V	XF-0619	1
29	16	FU FUSE - 600VOLT CLASS CC, TYPE FNQ-R, 3 AMPS	FU-0215	2
29	17	1M CONTACTOR, 3 POLE, 25 A, 24V COIL, 1 NO	RI1D2510-B7	1
29	18	1M AUXILIARY CONTACT 2 - NC	RI1D-N02	1
29	19	2M CONTACTOR, 3 POLE, 32A, 24V COIL, 1 NO	RI1D3210-B7	1
29	20	2M AUXILIARY CONTACT 2 - NC	RI1D-N02	1
29	21	3M CONTACTOR, 3 POLE, 25 A, 24V COIL, 1 NO	RL1D2510-B7	1
29	22	3M AUXILIARY CONTACT 2 - NC	RI1D-N02	1
29	23	4M CONTACTOR, 3 POLE, 32A, 24V COIL, 1 NO	RL1D3210-B7	1
29	24	4M AUXILIARY CONTACT 2 - NC	RI1D-N02	1
29	25	5M, 6M, 7M, 8M - RELAY 3 POLE 30 AMP 24V COIL	RY-0953	4
29	26	1CB CIRCUIT BREAKER - 2 AMPS	CB-0986	1
29	27	2CB CIRCUIT BREAKER - 15 AMPS	CB-0985	1

TABLE 80 - MAIN CONTROL BOX (CONT'D)

LCR 60 - 575				
FIG	ITEM	DESCRIPTION	RAM PART NUMBER	QTY
29	1	1 FU FUSE BLOCK 3 POLE 30 AMP	FH-0048	1
29	2	2 FU FUSE BLOCK 3 POLE 60 AMP	FH-0051	1
29	3	3 FU FUSE BLOCK 3 POLE 30 AMP	FH-0048	1
29	4	4 FU FUSE BLOCK 3 POLE 60 AMP	FH-0051	1
29	5	1 FU FUSE - 600 VOLT CLASS RK5 TIME DELAY 30 AMP	FU-0694	3
29	6	2 FU FUSE - 600 VOLT CLASS RK5 TIME DELAY 45 AMP	FU-0301	3
29	7	3 FU FUSE - 600 VOLT CLASS RK5 TIME DELAY 30 AMP	FU-0694	3
29	8	4 FU FUSE - 600 VOLT CLASS RK5 TIME DELAY 45 AMP	FU-0301	3
29	9	5 FU FUSE BLOCK 3 POLE 30 AMP	FH-0021	1
29	10	6 FU FUSE BLOCK 3 POLE 30 AMP	FH-0021	1
29	11	5 FU FUSE - 600 VOLT CLASS CC TIME DELAY 8 AMP	FU-0490	3
29	12	6 FU FUSE - 600 VOLT CLASS CC TIME DELAY 8 AMP	FU-0490	3
29	13	7 FU FUSE BLOCK 2 POLE 30 AMP	FH-0020	1
29	14	7 FU FUSE - 600 VOLT CLASS CC, TYPE FNQ-R, 4 AMP	FU-0218	2
29	15	1T TRANSFORMER 500 VA 575-115/24V	XF-0898	1
29	16	FU FUSE - 600VOLT CLASS CC, TYPE FNQ-R, 3 AMPS	FU-0215	2
29	17	1M CONTACTOR, 3 POLE, 25 A, 24V COIL, 1 NO	RL1D2510-B7	1
29	18	1M AUXILIARY CONTACT 2 - NC	RI1D-N02	1
29	19	2M CONTACTOR, 3 POLE, 32A, 24V COIL, 1 NO	RL1D3210-B7	1
29	20	2M AUXILIARY CONTACT 2 - NC	RI1D-N02	1
29	21	3M CONTACTOR, 3 POLE, 25 A, 24V COIL, 1 NO	RL1D2510-B7	1
29	22	3M AUXILIARY CONTACT 2 - NC	RI1D-N02	1
29	23	4M CONTACTOR, 3 POLE, 32A, 24V COIL, 1 NO	RL1D3210-B7	1
29	24	4M AUXILIARY CONTACT 2 - NC	RI1D-N02	1
29	25	5M, 6M, 7M, 8M - RELAY 3 POLE 30 AMP 24V COIL	RY-0953	4
29	26	1CB CIRCUIT BREAKER - 2 AMPS	CB-0986	1
29	27	2CB CIRCUIT BREAKER - 15 AMPS	CB-0985	1

TABLE 80 - MAIN CONTROL BOX (CONT'D)

LCR 61 - 208/230				
FIG	ITEM	DESCRIPTION	RAM PART NUMBER	QTY
29	1	1 FU FUSE BLOCK 3 POLE 100 AMP	FH-0044	1
29	2	2 FU FUSE BLOCK 3 POLE 100 AMP	FH-0044	1
29	3	3 FU FUSE BLOCK 3 POLE 100 AMP	FH-0044	1
29	4	4 FU FUSE BLOCK 3 POLE 100 AMP	FH-0044	1
29	5	1 FU FUSE - 250 VOLT CLASS RK5 TIME DELAY 80AMP	FU-0266	3
29	6	2 FU FUSE - 250 VOLT CLASS RK5 TIME DELAY 90 AMP	FU-0268	3
29	7	3 FU FUSE - 250 VOLT CLASS RK5 TIME DELAY 80AMP	FU-0266	3
29	8	4 FU FUSE - 250 VOLT CLASS RK5 TIME DELAY 90 AMP	FU-0268	3
29	9	5 FU FUSE BLOCK 3 POLE 30 AMP	FH-0021	1
29	10	6 FU FUSE BLOCK 3 POLE 30 AMP	FH-0021	1
29	11	5 FU FUSE - 600 VOLT CLASS CC TIME DELAY 20 AMP	FU-0495	3
29	12	6 FU FUSE - 600 VOLT CLASS CC TIME DELAY 20 AMP	FU-0495	3
29	13	7 FU FUSE BLOCK 2 POLE 30 AMP	FH-0020	1
29	14	7 FU FUSE - 600 VOLT CLASS CC, TYPE FNQ-R, 8 AMP	FU-0222	2
29	15	1T TRANSFORMER 500 VA 460/230/208-115/24V	XF-0619	1
29	16	FU FUSE - 600VOLT CLASS CC, TYPE FNQ-R, 6 AMPS	FU-0220	2
29	17	1M CONTACTOR, 3 POLE, 50 A, 24V COIL, 1 NO/ 1NC	RI1-D5011-B7	1
29	18	1M AUXILIARY CONTACT 2 - NC	RI1D-N02	1
29	19	2M CONTACTOR, 3 POLE, 65A, 24V COIL, 1 NO/ 1NC	RI1-D6511-B7	1
29	20	2M AUXILIARY CONTACT 2 - NC	RI1D-N02	1
29	21	3M CONTACTOR, 3 POLE, 50 A, 24V COIL, 1 NO/ 1NC	RI1-D5011-B7	1
29	22	3M AUXILIARY CONTACT 2 - NC	RI1D-N02	1
29	23	4M CONTACTOR, 3 POLE, 65A, 24V COIL, 1 NO/ 1NC	RI1-D6511-B7	1
29	24	4M AUXILIARY CONTACT 2 - NC	RI1D-N02	1
29	25	5M, 6M, 7M, 8M - RELAY 3 POLE 30 AMP 24V COIL	RY-0953	4
29	26	1CB CIRCUIT BREAKER - 2 AMPS	CB-0986	1
29	27	2CB CIRCUIT BREAKER - 15 AMPS	CB-0985	1

TABLE 80 - MAIN CONTROL BOX (CONT'D)

LCR 61 - 460				
FIG	ITEM	DESCRIPTION	RAM PART NUMBER	QTY
29	1	1 FU FUSE BLOCK 3 POLE 30 AMP	FH-0048	1
29	2	2 FU FUSE BLOCK 3 POLE 60 AMP	FH-0051	1
29	3	3 FU FUSE BLOCK 3 POLE 60 AMP	FH-0051	1
29	4	4 FU FUSE BLOCK 3 POLE 60 AMP	FH-0051	1
29	5	1 FU FUSE - 600 VOLT CLASS RK5 TIME DELAY 30 AMP	FU-0694	3
29	6	2 FU FUSE - 600 VOLT CLASS RK5 TIME DELAY 45 AMP	FU-301	3
29	7	3 FU FUSE - 600 VOLT CLASS RK5 TIME DELAY 40AMP	FU-0299	3
29	8	4 FU FUSE - 600 VOLT CLASS RK5 TIME DELAY 45 AMP	FU-0301	3
29	9	5 FU FUSE BLOCK 3 POLE 30 AMP	FH-0021	1
29	10	6 FU FUSE BLOCK 3 POLE 30 AMP	FH-0021	1
29	11	5 FU FUSE - 600 VOLT CLASS CC TIME DELAY 10 AMP	FU-0492	3
29	12	6 FU FUSE - 600 VOLT CLASS CC TIME DELAY 10 AMP	FU-0492	3
29	13	7 FU FUSE BLOCK 2 POLE30 AMP	FH-0020	1
29	14	7 FU FUSE - 600 VOLT CLASS CC, TYPE FNQ-R, 4 AMP	FU-0218	2
29	15	1T TRANSFORMER 500 VA 460/230/208-115/24V	XF-0619	1
29	16	FU FUSE - 600VOLT CLASS CC, TYPE FNQ-R, 3 AMPS	FU-0215	2
29	17	1M CONTACTOR, 3 POLE, 25 A, 24V COIL, 1 NO	RI1D2510-B7	1
29	18	1M AUXILIARY CONTACT 2 - NC	RI1D-N02	1
29	19	2M CONTACTOR, 3 POLE, 32A, 24V COIL, 1 NO	RI1D3210-B7	1
29	20	2M AUXILIARY CONTACT 2 - NC	RI1D-N02	1
29	21	3M CONTACTOR, 3 POLE, 32A, 24V COIL, 1 NO	RL1D3210-B7	1
29	22	3M AUXILIARY CONTACT 2 - NC	RI1D-N02	1
29	23	4M CONTACTOR, 3 POLE, 32A, 24V COIL, 1 NO	RL1D3210-B7	1
29	24	4M AUXILIARY CONTACT 2 - NC	RI1D-N02	1
29	25	5M, 6M, 7M, 8M - RELAY 3 POLE 30 AMP 24V COIL	RY-0953	4
29	26	1CB CIRCUIT BREAKER - 2 AMPS	CB-0986	1
29	27	2CB CIRCUIT BREAKER - 15 AMPS	CB-0985	1

TABLE 80 - MAIN CONTROL BOX (CONT'D)

LCR 61 - 575				
FIG	ITEM	DESCRIPTION	RAM PART NUMBER	QTY
29	1	1 FU FUSE BLOCK 3 POLE 30 AMP	FH-0048	1
29	2	2 FU FUSE BLOCK 3 POLE 60 AMP	FH-0051	1
29	3	3 FU FUSE BLOCK 3 POLE 30 AMP	FH-0048	1
29	4	4 FU FUSE BLOCK 3 POLE 60 AMP	FH-0051	1
29	5	1 FU FUSE - 600 VOLT CLASS RK5 TIME DELAY 30 AMP	FU-0694	3
29	6	2 FU FUSE - 600 VOLT CLASS RK5 TIME DELAY 45 AMP	FU-0301	3
29	7	3 FU FUSE - 600 VOLT CLASS RK5 TIME DELAY 30 AMP	FU-0694	3
29	8	4 FU FUSE - 600 VOLT CLASS RK5 TIME DELAY 45 AMP	FU-0301	3
29	9	5 FU FUSE BLOCK 3 POLE 30 AMP	FH-0021	1
29	10	6 FU FUSE BLOCK 3 POLE 30 AMP	FH-0021	1
29	11	5 FU FUSE - 600 VOLT CLASS CC TIME DELAY 8 AMP	FU-0490	3
29	12	6 FU FUSE - 600 VOLT CLASS CC TIME DELAY 8 AMP	FU-0490	3
29	13	7 FU FUSE BLOCK 2 POLE 30 AMP	FH-0020	1
29	14	7 FU FUSE - 600 VOLT CLASS CC, TYPE FNQ-R, 4 AMP	FU-0218	2
29	15	1T TRANSFORMER 500 VA 575-115/24V	XF-0898	1
29	16	FU FUSE - 600VOLT CLASS CC, TYPE FNQ-R, 3 AMPS	FU-0215	2
29	17	1M CONTACTOR, 3 POLE, 25 A, 24V COIL, 1 NO	RL1D2510-B7	1
29	18	1M AUXILIARY CONTACT 2 - NC	R11D-N02	1
29	19	2M CONTACTOR, 3 POLE, 32A, 24V COIL, 1 NO	RL1D3210-B7	1
29	20	2M AUXILIARY CONTACT 2 - NC	R11D-N02	1
29	21	3M CONTACTOR, 3 POLE, 25 A, 24V COIL, 1 NO	RL1D2510-B7	1
29	22	3M AUXILIARY CONTACT 2 - NC	R11D-N02	1
29	23	4M CONTACTOR, 3 POLE, 32A, 24V COIL, 1 NO	RL1D3210-B7	1
29	24	4M AUXILIARY CONTACT 2 - NC	R11D-N02	1
29	25	5M, 6M, 7M, 8M - RELAY 3 POLE 30 AMP 24V COIL	RY-0953	4
29	26	1CB CIRCUIT BREAKER - 2 AMPS	CB-0986	1
29	27	2CB CIRCUIT BREAKER - 15 AMPS	CB-0985	1

TABLE 81 - FAN PANEL / CONSTANT VOLUME SUPPLY FAN

FIG	HORSEPOWER	VOLTAGE	ITEM	DESCRIPTION	RAM PART NUMBER	JOHNSON CONTROLS PART NUMBER
30	10	208/230	1	CONTACTOR, 32A, 24V COIL	LCD1D40B7	-----
			2	STARTER	GV3P40	-----
		460	1	CONTACTOR, 18A, 24V COIL	LC1D18B7	-----
			2	STARTER	OL-0086	024-33174-000
		575	1	CONTACTOR, 18A, 24V COIL	RL1-D1810-B7	024-35968-000
			2	STARTER	NS-0094	024-33171-000
30	15	208/230	1	CONTACTOR, 65A, 24V COIL	RI1-D6511-B7	025-36276-000
			2	STARTER	GV3P50	-----
		460	1	CONTACTOR, 25 A, 24V COIL	RI1-D2510-B7	024-35965-000
			2	STARTER	OL-0377	024-33175-000
		575	1	CONTACTOR, 25 A, 24V COIL	RI1-D2510-B7	024-35965-000
			2	STARTER	MS-0095	024-33172-000
30	20	208/230	1	CONTACTOR, 65A, 24V COIL	RI-D6511-B7	025-36276-003
			2	STARTER	MS0055	025-34488-000
		460	1	CONTACTOR, 32A, 24V COIL	RI1-D3210-B7	025-36276-001
			2	STARTER	MS-0096	024-33173-000
		575	1	CONTACTOR, 25A, 24V COIL	RI1-D2510-B7	024-35965-000
			2	STARTER	OL-0377	024-33175-000
30	25	208/230	1	CONTACTOR, 80A, 24V COIL	RI1-D9511-B7	025-35276-005
			2	STARTER	MS-0164	024-34385-000
		460	1	CONTACTOR, 32A, 24V COIL	LC1D40B7	-----
			2	STARTER	GV3P40	-----
		575	1	CONTACTOR, 32A, 24V COIL	RI1-D3210-B7	025-36276-001
			2	STARTER	MS-0096	024-33173-000
30	30	208/230	1	CONTACTOR, 95A, 24V COIL	RI1-D9511-B7	025-35276-005
			2	STARTER	MS-0164	024-34385-000
		460	1	CONTACTOR, 40A, 24V COIL	RI1-D6511-B7	025-36276-003
			2	STARTER	GV3P50	-----
		575	1	CONTACTOR, 40A, 24V COIL	LCD1D40B7	-----
			2	STARTER	GV3P40	-----
30	40	208/230	NOT AVAILABLE			
		460	1	CONTACTOR, 65A, 24V COIL	RI-D6511-B7	024-36276-003
			2	STARTER	MS-0055	025-34488-000
		575	1	CONTACTOR, 65A, 24V COIL	RI1-D6511-B7	025-36276-003
			2	STARTER	GV3P50	-----

TABLE 82 - FAN PANEL / CONSTANT VOLUME EXHAUST FAN

FIG	HORSEPOWER	VOLTAGE	ITEM	DESCRIPTION	RAM PART NUMBER	JOHNSON CONTROLS PART NUMBER
31	5	208/230	3	CONTACTOR, 25A, 24V COIL	RI1-D2510-B7	024-35965-000
			4	STARTER	MS-0095	024-33172-000
		460	3	CONTACTOR, 12A, 24V COIL	RI1-D1210-B7	024-35967-000
			4	STARTER	MS-0093	024-33170-000
		575	3	CONTACTOR, 18A, 24V COIL	RI1-D1210-B7	024-35967-000
			4	STARTER	MS-0093	024-33170-000
31	7.5	208/230	3	CONTACTOR, 25 A, 24V COIL	RI1-D3210-B7	025-36276-001
			4	STARTER	MS-0096	024-33173-000
		460	3	CONTACTOR, 18A, 24V COIL	RI1-D1810-B7	024-35968-000
			4	STARTER	MS-0094	024-33171-000
		575	3	CONTACTOR, 18A, 24V COIL	RI1-D1210-B7	024-35967-000
			4	STARTER	MS-0093	024-33170-000
31	10	208/230	3	CONTACTOR, 32A, 24V COIL	LCID40B7	-----
			4	STARTER	GV3P40	-----
		460	3	CONTACTOR, 18A, 24V COIL	LC1D18B7	-----
			4	STARTER	OL-0086	024-33174-000
		575	3	CONTACTOR, 18A, 24V COIL	RI1-D1810-B7	024-35968-000
			4	STARTER	MS-0094	024-33171-000
31	15	208/230	3	CONTACTOR, 65A, 24V COIL	RI-D6511-B7	025-36276-003
			4	STARTER	GV3P50	-----
		460	3	CONTACTOR, 25 A, 24V COIL	RI1-D2510-B7	024-35965-000
			4	STARTER	OL-0377	024-33175-000
		575	3	CONTACTOR, 25 A, 24V COIL	RI1-D2510-B7	024-35965-000
			4	STARTER	MS-0095	024-33172-000
31	20	208/230	3	CONTACTOR, 65A, 24V COIL	RI-D6511-B7	025-36276-003
			4	STARTER	MS-0055	025-34488-000
		460	3	CONTACTOR, 32A, 24V COIL	RI1-D3210-B7	025-36276-001
			4	STARTER	MS-0096	024-33173-000
		575	3	CONTACTOR, 25A, 24V COIL	RI1-D2510-B7	024-35965-000
			4	STARTER	OL-0377	024-33175-000

TABLE 83 - FAN PANEL / RETURN FAN WITH VFD

FIG	HORSEPOWER	VOLTAGE	ITEM	DESCRIPTION	PART NUMBER	QTY
30, 32	5	208/230	3	FUSEHOLDER 3 POLE 60 AMP	025-36587-060	1
			4	FUSE, LPJ, 35 AMP	025-36172-000	3
		460	3	FUSEHOLDER 3 POLE 30 AMP	025-36587-030	1
			4	FUSE, LPJ, 20 AMP	025 36168-000	3
		575	3	FUSEHOLDER 3 POLE 30 AMP	025-36587-030	1
			4	FUSE, LPJ, 15 AMP	025-36167-000	3
30, 32	7.5	208/230	3	FUSEHOLDER 3 POLE 60 AMP	025-36587-060	1
			4	FUSE, LPJ, 50 AMP	025-36175-000	3
		460	3	FUSEHOLDER 3 POLE 30 AMP	025-36587-030	1
			4	FUSE, LPJ, 25 AMP	025-36169-000	3
		575	3	FUSEHOLDER 3 POLE 30 AMP	025-36587-030	1
			4	FUSE, LPJ, 20 AMP	025-36168-000	3
30, 32	10	208/230	3	FUSEHOLDER 3 POLE 100 AMP	025-36587-100	1
			4	FUSE, LPJ, 70 AMP	025-36177-000	3
		460	3	FUSEHOLDER 3 POLE 60 AMP	025-36587-060	1
			4	FUSE, LPJ, 35 AMP	025-36172-000	3
		575	3	FUSEHOLDER 3 POLE 30 AMP	025-36587-030	1
			4	FUSE, LPJ, 30 AMP	025-36170-000	3
N/A	15	208/230	NOT AVAILABLE			
30, 32		460	3	FUSEHOLDER 3 POLE 60 AMP	025-36587-060	1
			4	FUSE, LPJ, 50 AMP	025-36175-000	3
		575	3	FUSEHOLDER 3 POLE 60 AMP	025-36587-060	1
			4	FUSE, LPJ, 40AMP	025-36173-000	3

TABLE 84 - FAN PANEL / EXHAUST FAN WITH VFD

FIG	HORSEPOWER	VOLTAGE	ITEM	DESCRIPTION	PART NUMBER	QTY
30, 32	5	208/230	3	FUSEHOLDER 3 POLE 30 AMP	025-36587-030	1
			4	FUSE, LPJ, 20 AMP	025-36168-000	3
		460	3	FUSEHOLDER 3 POLE 30 AMP	025-36587-030	1
			4	FUSE, LPJ, 10 AMP	025-36281 000	3
		575	3	FUSEHOLDER 3 POLE 30 AMP	025-36587-030	1
			4	FUSE, LPJ, 10 AMP	025-36281 000	3
30, 32	7.5	208/230	3	FUSEHOLDER 3 POLE 30 AMP	025-36587-030	1
			4	FUSE, LPJ, 30 AMP	025-36170-000	3
		460	3	FUSEHOLDER 3 POLE 30 AMP	025-36587-030	1
			4	FUSE, LPJ, 15 AMP	025-36167-000	3
		575	3	FUSEHOLDER 3 POLE 30 AMP	025-36587-030	1
			4	FUSE, LPJ, 15 AMP	025-36167-000	3
30, 32	10	208/230	3	FUSEHOLDER 3 POLE 60 AMP	025-36587-060	1
			4	FUSE, LPJ, 35 AMP	025-36172-000	3
		460	3	FUSEHOLDER 3 POLE 30 AMP	025-36587-030	1
			4	FUSE, LPJ, 20 AMP	025 36168-000	3
		575	3	FUSEHOLDER 3 POLE 30 AMP	025-36587-030	1
			4	FUSE, LPJ, 15 AMP	025-36167-000	3
30, 32	15	208/230	3	FUSEHOLDER 3 POLE 60 AMP	025-36587-060	1
			4	FUSE, LPJ, 50 AMP	025-36175-000	3
		460	3	FUSEHOLDER 3 POLE 30 AMP	025-36587-030	1
			4	FUSE, LPJ, 25 AMP	025-36169-000	3
		575	3	FUSEHOLDER 3 POLE 30 AMP	025-36587-030	1
			4	FUSE, LPJ, 20 AMP	025-36168-000	3
30, 32	20	208/230	3	FUSEHOLDER 3 POLE 100 AMP	025-36587-100	1
			4	FUSE, LPJ, 70 AMP	025-36177-000	3
		460	3	FUSEHOLDER 3 POLE 60 AMP	025-36587-060	1
			4	FUSE, LPJ, 35 AMP	025-36172-000	3
		575	3	FUSEHOLDER 3 POLE 30 AMP	025-36587-030	1
			4	FUSE, LPJ, 30 AMP	025-36170-000	3
30, 32	ALL - SEE NOTE 1	ALL	5	RELAY	024-33137-000	1

Notes:

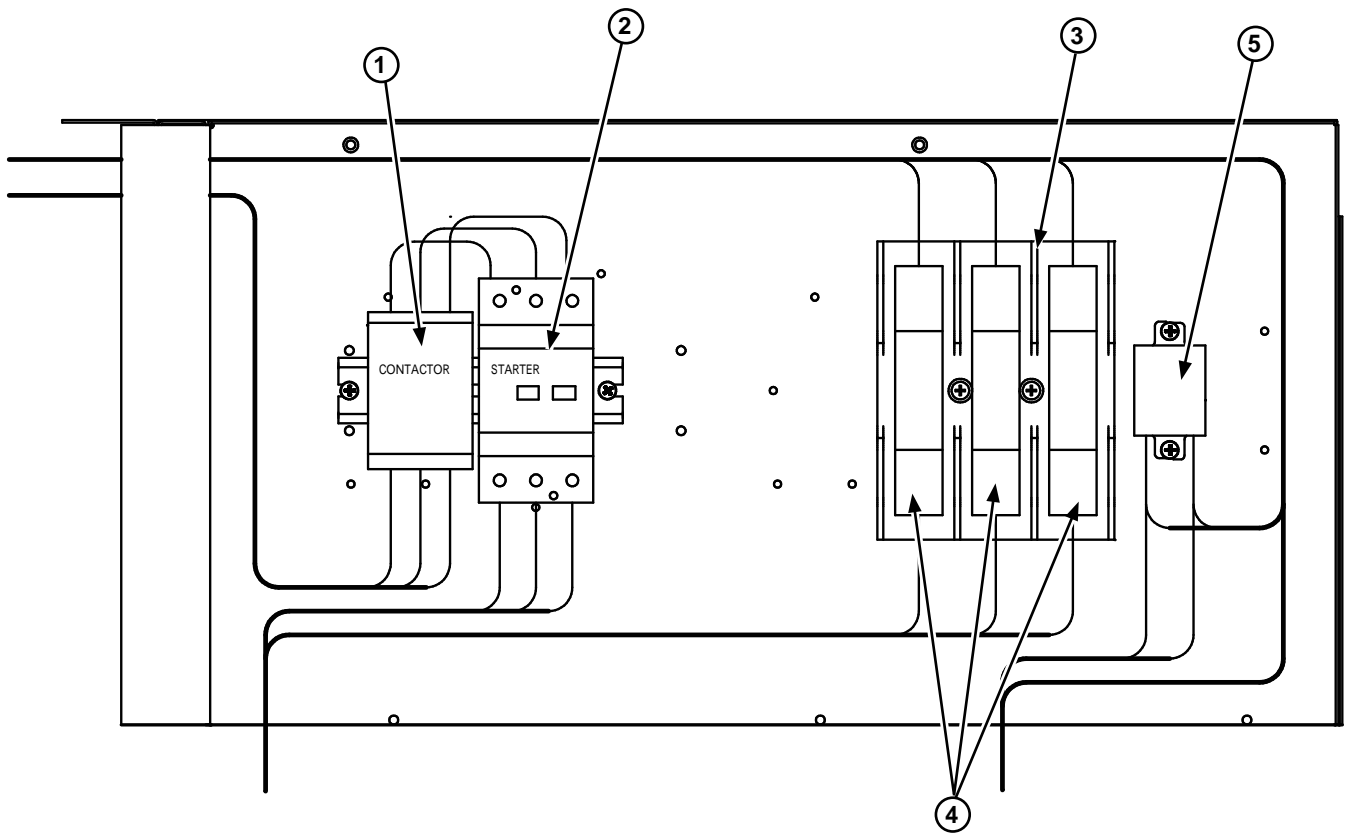
1 - Use only with simplicity control

TABLE 85 - FAN PANEL / SUPPLY FAN WITH VFD

FIG	HORSEPOWER	VOLTAGE	ITEM	DESCRIPTION	PART NUMBER	QTY
31, 32	10	208/230	1	FUSEHOLDER 3 POLE 60 AMP	025-36587-060	1
			2	FUSE, LPJ, 35 AMP	025-36172-000	3
460		1	FUSEHOLDER 3 POLE 30 AMP	025-36587-030	1	
		2	FUSE, LPJ, 20 AMP	025 36168-000	3	
31, 32		575	1	FUSEHOLDER 3 POLE 30 AMP	025-36587-030	1
			2	FUSE, LPJ, 15 AMP	025-36167-000	3
31, 32	15	208/230	1	FUSEHOLDER 3 POLE 60 AMP	025-36587-060	1
			2	FUSE, LPJ, 50 AMP	025-36175-000	3
460		1	FUSEHOLDER 3 POLE 30 AMP	025-36587-030	1	
		2	FUSE, LPJ, 25 AMP	025-36169-000	3	
31, 32		575	1	FUSEHOLDER 3 POLE 30 AMP	025-36587-030	1
			2	FUSE, LPJ, 20 AMP	025-36168-000	3
31, 32	20	208/230	1	FUSEHOLDER 3 POLE 100 AMP	025-36587-100	1
			2	FUSE, LPJ, 70 AMP	025-36177-000	3
460		1	FUSEHOLDER 3 POLE 60 AMP	025-36587-060	1	
		2	FUSE, LPJ, 35 AMP	025-36172-000	3	
31, 32		575	1	FUSEHOLDER 3 POLE 30 AMP	025-36587-030	1
			2	FUSE, LPJ, 30 AMP	025-36170-000	3
31, 32	25	208/230	1	FUSEHOLDER 3 POLE 100 AMP	025-36587-100	1
			2	FUSE, LPJ, 80AMP	025-36178-000	3
460		1	FUSEHOLDER 3 POLE 60 AMP	025-36587-060	1	
		2	FUSE, LPJ, 40AMP	025-36173-000	3	
31, 32		575	1	FUSEHOLDER 3 POLE 60 AMP	025-36587-060	1
			2	FUSE, LPJ, 35 AMP	025-36172-000	3
31, 32	30	208/230	1	FUSEHOLDER 3 POLE 100 AMP	025-36587-100	1
			2	FUSE, LPJ, 100 AMP	025-36180-000	3
460		1	FUSEHOLDER 3 POLE 60 AMP	025-36587-060	1	
		2	FUSE, LPJ, 50 AMP	025-36175-000	3	
31, 32		575	1	FUSEHOLDER 3 POLE 60 AMP	025-36587-060	1
			2	FUSE, LPJ, 40AMP	025-36173-000	3
31, 32	40	208/230		NOT AVAILABLE		
			460	1	FUSEHOLDER 3 POLE 100 AMP	025-36587-100
2		FUSE, LPJ, 70 AMP		025-36177-000	3	
31, 32		575	1	FUSEHOLDER 3 POLE 60 AMP	025-36587-060	1
			2	FUSE, LPJ, 50 AMP	025-36175-000	3
31, 32		ALL - SEE NOTE 1	ALL	5	RELAY	024-33137-000

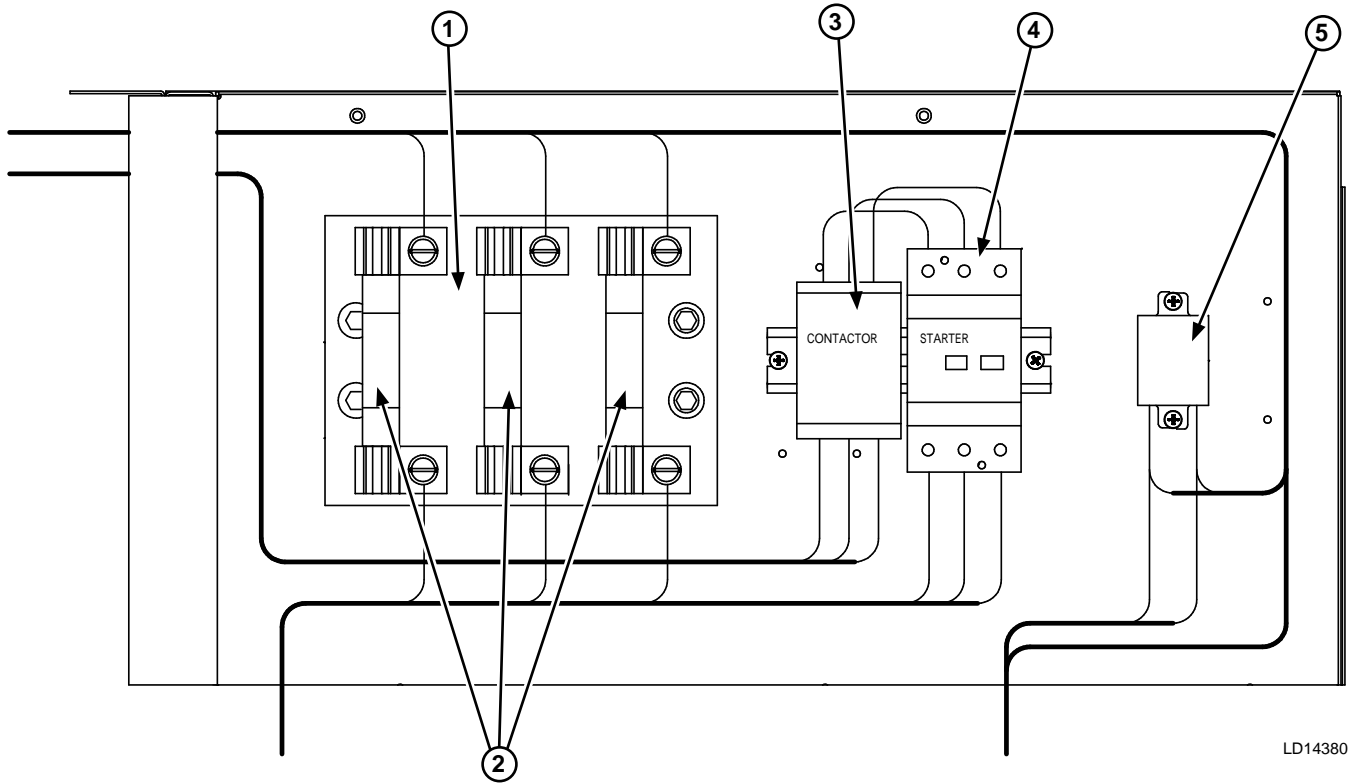
Notes:

1 - Use only with simplicity control



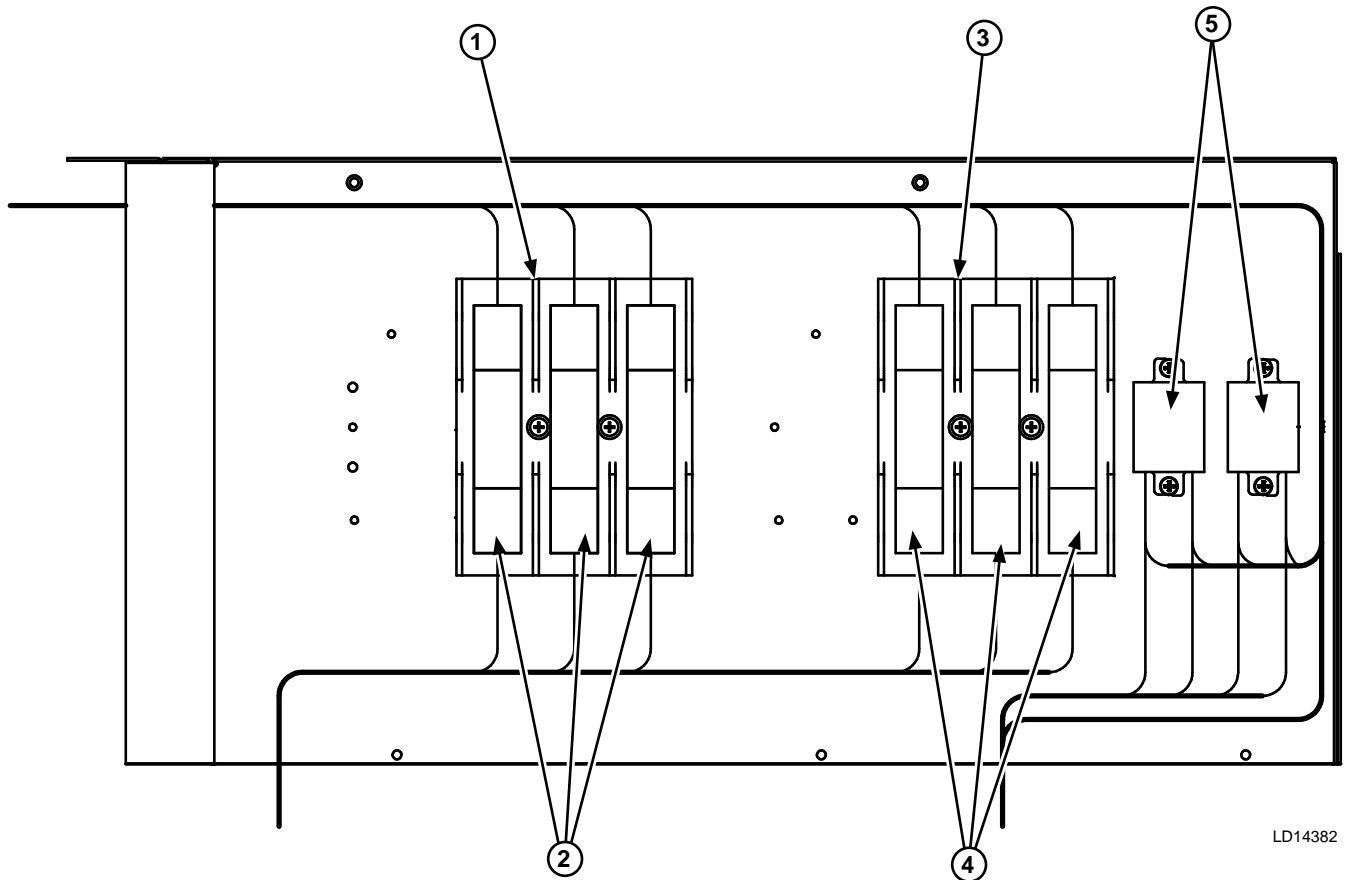
LD14381

FIG. 30 - FAN PANELS, EXHAUST/RETURN FANS WITH VFD & CONSTANT VOLUME SUPPLY FANS



LD14380

FIG. 31 - FAN PANELS, SUPPLY FAN WITH VFD & CONSTANT VOLUME SUPPLY FAN

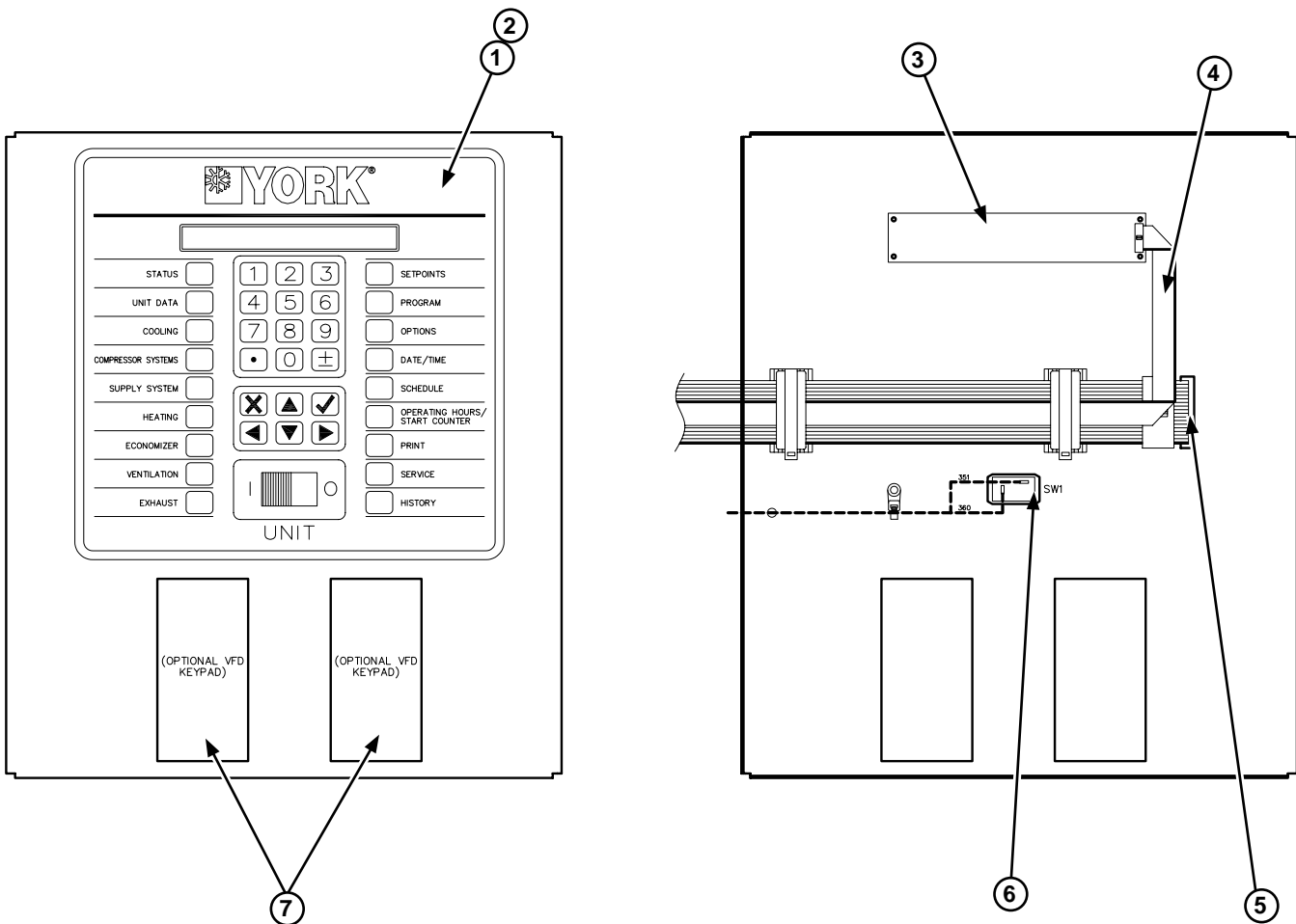


LD14382

FIG. 32 - FAN PANELS, SUPPLY/EXHAUST/RETURN FANS WITH VFD

TABLE 86 - HINGED DISPLAY PANEL

FIG	ITEM	DESCRIPTION	PART NUMBER
33	1	KEYPAD OVERLAY	024-35103-000
33	2	KEYPAD	024-34930-000
33	3	LCD DISPLAY	031-02508-000
33	4	RIBBON CABLE DISPLAY - 27" LONG	071-04381-000
33	5	RIBBON CABLE KEYPAD - 24" LONG	031-02509-002
33	6	ROCKER SWITCH	024-25517-000
33	7	DANFOSS VFD DISPLAY	-----



LD14386

FIG. 33 - HINGED DISPLAY PANEL

TABLE 87 - IPU CONTROL PANEL

FIG	ITEM	DESCRIPTION	PART NUMBER
34	1	PLUGIN I/O BOARD	031-02497-001
34	2	PROGRAMMED IPU CONTROL	331-02496-102
34	3	FUSE 0.5 AMP	025-40429-000
34	4	FUSE 5.0 AMP	025-34592-000
34	5	TRANSFORMER 75 VA / 120V - 24V	025-27911-000
34	6	POWER SUPPLY, 40 WATT	025-36580-000
34	7	12 PIN AMP CONNECTOR	025-28384-000
34	8	15 PIN AMP CONNECTOR	025-28385-000
34	9	BATTERY	025-36581-000

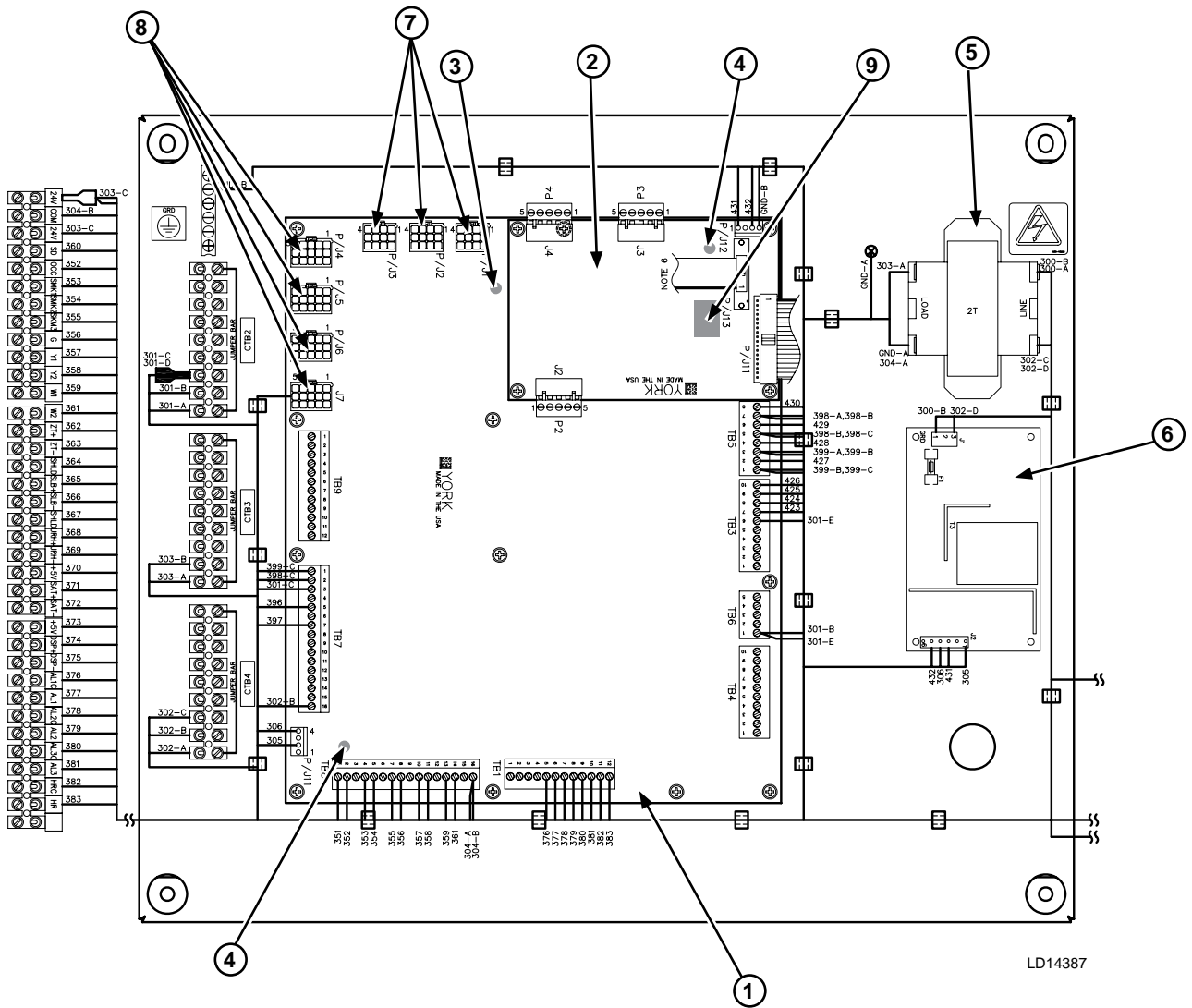
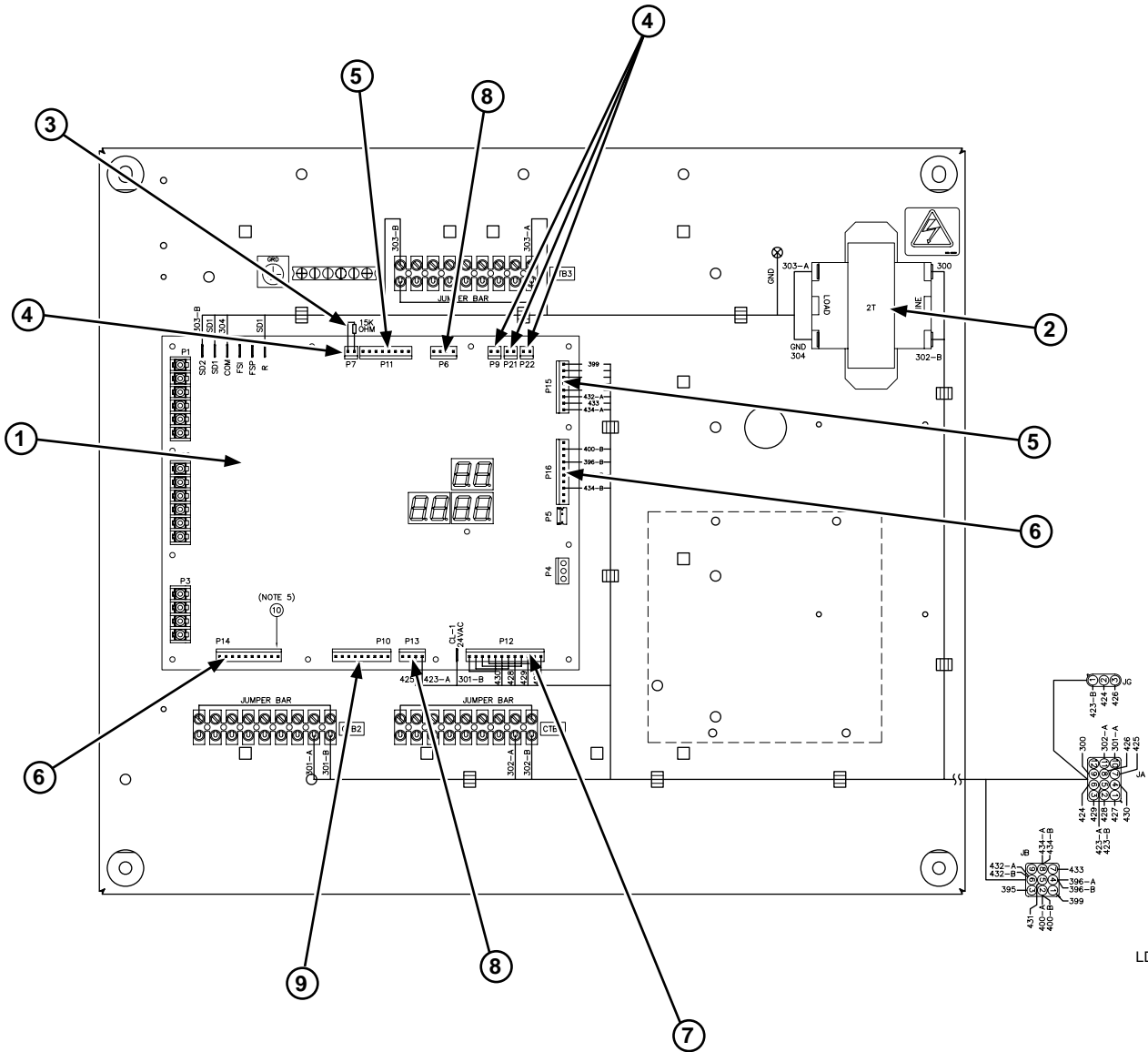


FIG. 34 - IPU CONTROL PANEL

TABLE 88 - SIMPLICITY CONTROL PANEL

FIG	ITEM	DESCRIPTION	JOHNSON CONTROLS PART NUMBER	AMP PART NUMBER	QTY
35	1	SIMPLICITY CONTROL BOARD	031-01997-000	-----	1
35	2	TRANSFORMER 75 VA/120 - 24V	025-27911-000	-----	1
35	3	RESISTOR 1/4 W, 15 K	-----	-----	1
35	4	CONNECTOR HOUSING 2 PIN	-----	640250-2	4
35	5	CONNECTOR HOUSING 8 PIN	-----	640250-8	2
35	6	CONNECTOR HOUSING 10 PIN	-----	640250-10	2
35	7	CONNECTOR HOUSING 12 PIN	-----	640250-12	1
35	8	CONNECTOR HOUSING 4 PIN	-----	640250-4	2
35	9	CONNECTOR HOUSING 9 PIN	-----	640250-9	1

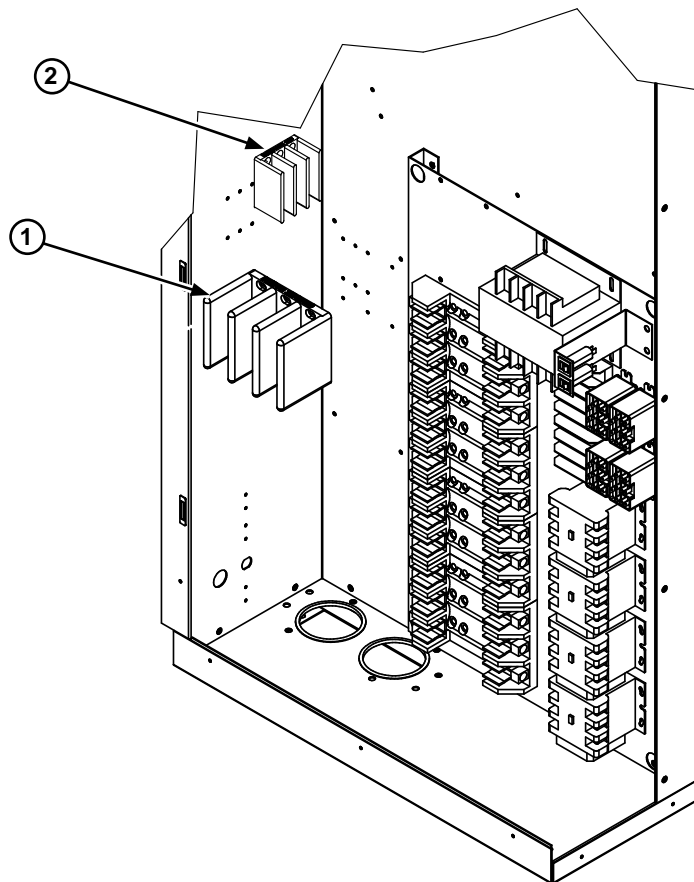


LD14389

FIG. 35 - SIMPLICITY CONTROL PANEL

TABLE 89 - SINGLE AND DUAL POINT TERMINAL CONNECTIONS

SINGLE POINT TERMINAL CONNECTION					
FIG	ITEM	DESCRIPTION	208/230 VOLT PART NUMBER	460 VOLT PART NUMBER	575 VOLT PART NUMBER
36	1	TERMINAL BLOCK	025-42014-000	025-42009-000	025-42009-000
SINGLE POINT TERMINAL CONNECTION WITH ELECTRIC HEAT					
FIG	ITEM	DESCRIPTION	208/230 VOLT PART NUMBER	460 VOLT PART NUMBER	575 VOLT PART NUMBER
36	1	TERMINAL BLOCK	025-42014-000	025-42014-000	-----
DUAL POINT TERMINAL CONNECTION					
FIG	ITEM	DESCRIPTION	208/230 VOLT PART NUMBER	460 VOLT PART NUMBER	575 VOLT PART NUMBER
36	1	TERMINAL BLOCK	025-42035-000	025-42010-000	025-42010-000
36	2	TERMINAL BLOCK	025-42015-000	025-42013-000	025-42013-000
DUAL POINT TERMINAL CONNECTION WITH ELECTRIC HEAT					
FIG	ITEM	DESCRIPTION	208/230 VOLT PART NUMBER	460 VOLT PART NUMBER	575 VOLT PART NUMBER
36	1	TERMINAL BLOCK	025-42035-000	025-42035-000	-----
36	2	TERMINAL BLOCK	025-42015-000	025-42013-000	-----

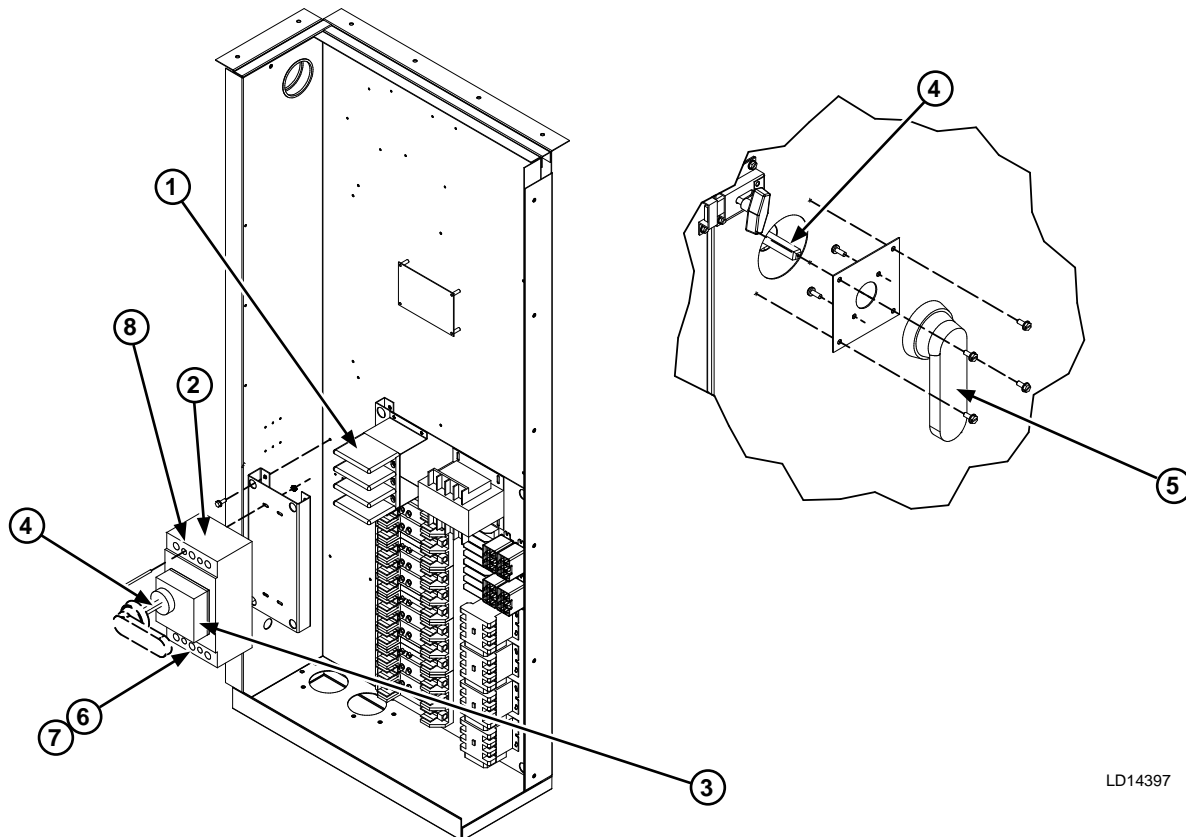


LD14394

FIG. 36 - SINGLE AND DUAL POINT TERMINAL CONNECTIONS

TABLE 90 - SINGLE POINT DISCONNECT SWITCH

SINGLE POINT DISCONNECT SWITCH					
FIG	ITEM	DESCRIPTION	208/230 VOLT PART NUMBER	460 VOLT PART NUMBER	575 VOLT PART NUMBER
37	1	DISTRIBUTION TERMINAL BLOCK	025-42009-000	025-42010-000	024-42010-000
37	2	MOLDED CASE SWITCH 600 V 3 POLE	024-25564-000	024-30963-000	024-30963-000
37	3	OPERATOR MECHANISM	024-31878-000	024-31878-000	024-31878-000
37	4	OPERATOR SHAFT 8.9" X0 MM	RAM SW0688	RAM SW0688	RAM SW0688
37	5	PISTOL HANDLE	025-35697-000	025-35697-000	025-35697-000
37	6	LUG KIT LINE SIDE	024-31651-000	024-31650-000	024-31650-000
37	7	LUG COVER	024-31858-000	029-23431-000	029-23431-000
37	8	LUG KIT LOAD SIDE	025-34481-000	025-34418-000	025-34418-000
SINGLE POINT DISCONNECT SWITCH WITH ELECTRIC HEAT					
FIG	ITEM	DESCRIPTION	208/230 VOLT PART NUMBER	460 VOLT PART NUMBER	575 VOLT PART NUMBER
37	1	DISTRIBUTION TERMINAL BLOCK	025-42009-000	025-42010-000	-----
37	2	MOLDED CASE SWITCH 600 V 3 POLE	024-25564-000	024-25564-000	-----
37	3	OPERATOR MECHANISM	024-31878-000	024-31878-000	-----
37	4	OPERATOR SHAFT 8.9" X0 MM	RAM SW0688	RAM SW0688	-----
37	5	PISTOL HANDLE	025-35697-000	025-35697-000	-----
37	6	LUG KIT LINE SIDE	024-31651-000	024-31651-000	-----
37	7	LUG COVER	024-31858-000	024-31858-000	-----
37	8	LUG KIT LOAD SIDE	025-34481-000	025-34481-000	-----



LD14397

FIG. 37 - SINGLE POINT DISCONNECT SWITCH

TABLE 91 - GAS HEAT TRANSFORMER KITS

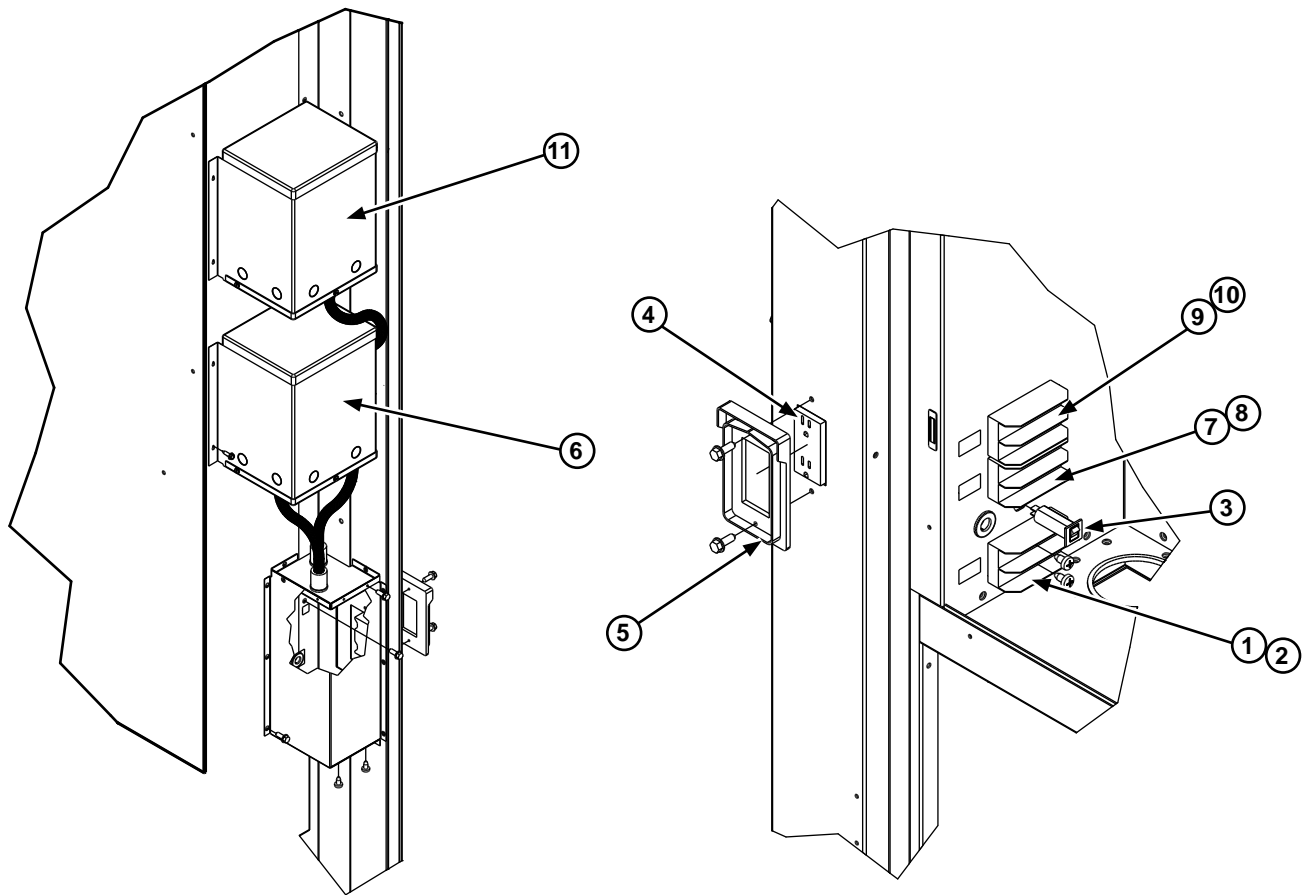
GAS HEAT TRANSFORMER KIT - 230 VOLT				
FIG	ITEM	DESCRIPTION	PART NUMBER	QTY
38	7	FUSEBLOCK, 2-POLE, 30 AMP - 11FU	025-34427-000	1
38	8	FUSE, 600 V, CLASS CC, 10A - 11FU	025-34430-000	2
GAS HEAT TRANSFORMER KIT - 460 VOLT				
FIG	ITEM	DESCRIPTION	PART NUMBER	QTY
38	7	FUSEBLOCK, 2-POLE, 30 AMP - 11-FU	025-34427-000	1
38	8	FUSE, 600 V, CLASS CC, 10A - 11FU	025-34430-000	2
38	9	FUSEBLOCK, 2 POLE, 30 AMP - 10FU	025-35667-000	1
38	10	FUSE 250 V, MIDGET 10 A - 10FU	025-28966-006	2
38	11	TRANSFORMER - 2 KVA, 240/480V-120/240V- 3T	025-37065-000	1
GAS HEAT TRANSFORMER KIT - 575 VOLT				
FIG	ITEM	DESCRIPTION	PART NUMBER	QTY
38	7	FUSEBLOCK, 2-POLE, 30 AMP - 11-FU	025-34427-000	1
38	8	FUSE, 600 V, CLASS CC, 8A - 11FU	025-34431-000	2
38	9	FUSEBLOCK, 2 POLE, 30 AMP - 10FU	025-35667-000	1
38	10	FUSE 250 V, MIDGET 10 A - 10FU	025-28966-006	2
38	11	TRANSFORMER - 2 KVA, 600V-120/240V- 3T	025-37633-000	1

TABLE 92 - CONVENIENCE OUTLET KITS

CONVIENCE OUTLET - 230 VOLT				
FIG	ITEM	DESCRIPTION	PART NUMBER	QTY
38	1	FUSEBLOCK, 2 POLE 30 AMP - 12 FU	FH-0020	1
38	2	FUSE, 600V, CLASS CC, 25 AMP 12 FU	FU-0588	2
38	3	CIRCUIT BREAKER 20-AS- 3CB	CB0987	1
38	4	RECEPTACLE, GFI 20 AMP DUPLEX	HD-0495	1
38	5	GFI COVER	HD-0817	1
38	6	TRANSFORMER 2.0 KVA, 190V-440V-110/220V - 4T	XF-0562	1

TABLE 92 - CONVENIENCE OUTLET KITS (CONT'D)

CONVENIENCE OUTLET - 460 VOLT				
FIG	ITEM	DESCRIPTION	PART NUMBER	QTY
38	1	FUSEBLOCK, 2 POLE 30 AMP - 12 FU	FH-0020	1
38	2	FUSE, 600V, CLASS CC, 10 AMP 12 FU	FU-0211	2
38	3	CIRCUIT BREAKER 20-AS- 3CB	CB0987	1
38	4	RECEPTACLE, GFI 20 AMP DUPLEX	HD-0495	1
38	5	GFI COVER	HD-0817	1
38	6	TRANSFORMER 2.0 KVA, 240/480-120/240V - 4T	XF-0622	1
CONVENIENCE OUTLET - 575 VOLT				
FIG	ITEM	DESCRIPTION	PART NUMBER	QTY
38	1	FUSEBLOCK, 2 POLE 30 AMP - 12 FU	FH-0020	1
38	2	FUSE, 600V, CLASS CC, 8 AMP 12 FU	FU-0222	2
38	3	CIRCUIT BREAKER 20-AS- 3CB	CB0987	1
38	4	RECEPTACLE, GFI 20 AMP DUPLEX	HD-0495	1
38	5	GFI COVER	HD-0817	1
38	6	TRANSFORMER 2.0 KVA, 600-120/240V - 4T	XF-0623	1



LD14391

FIG. 38 - GAS HEAT TRANSFORMER KITS AND CONVENIENCE OUTLET

TABLE 93 - INTERNAL LIGHT KIT

FIG	ITEM	DESCRIPTION	PART NUMBER	QTY
39	1	LIGHT FIXTURE, 75 W	025-39013-002	4
39	2	INCANDESCENT LAMP, 75 W	025-36491-000	4
39	3	SWITCH, 120V, 15 A	025-35744-000	1

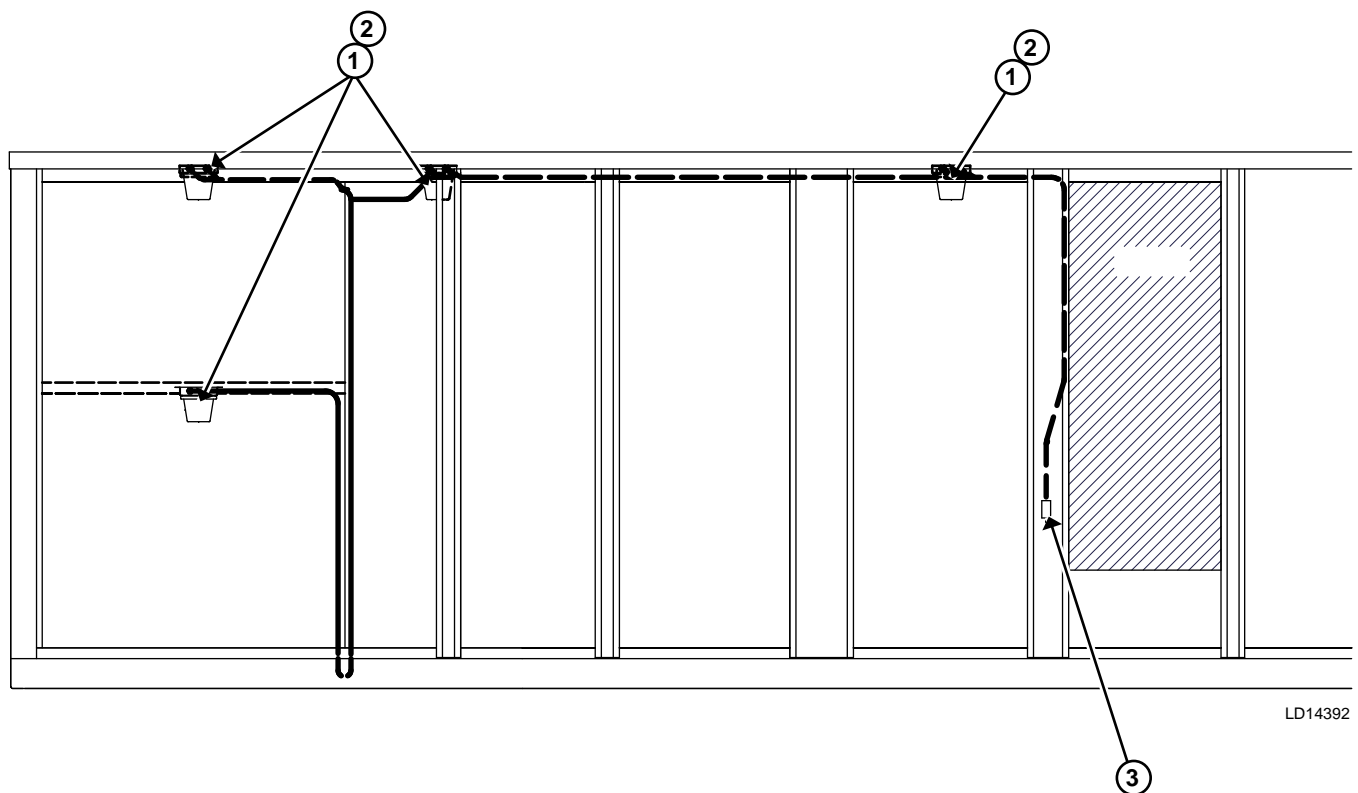


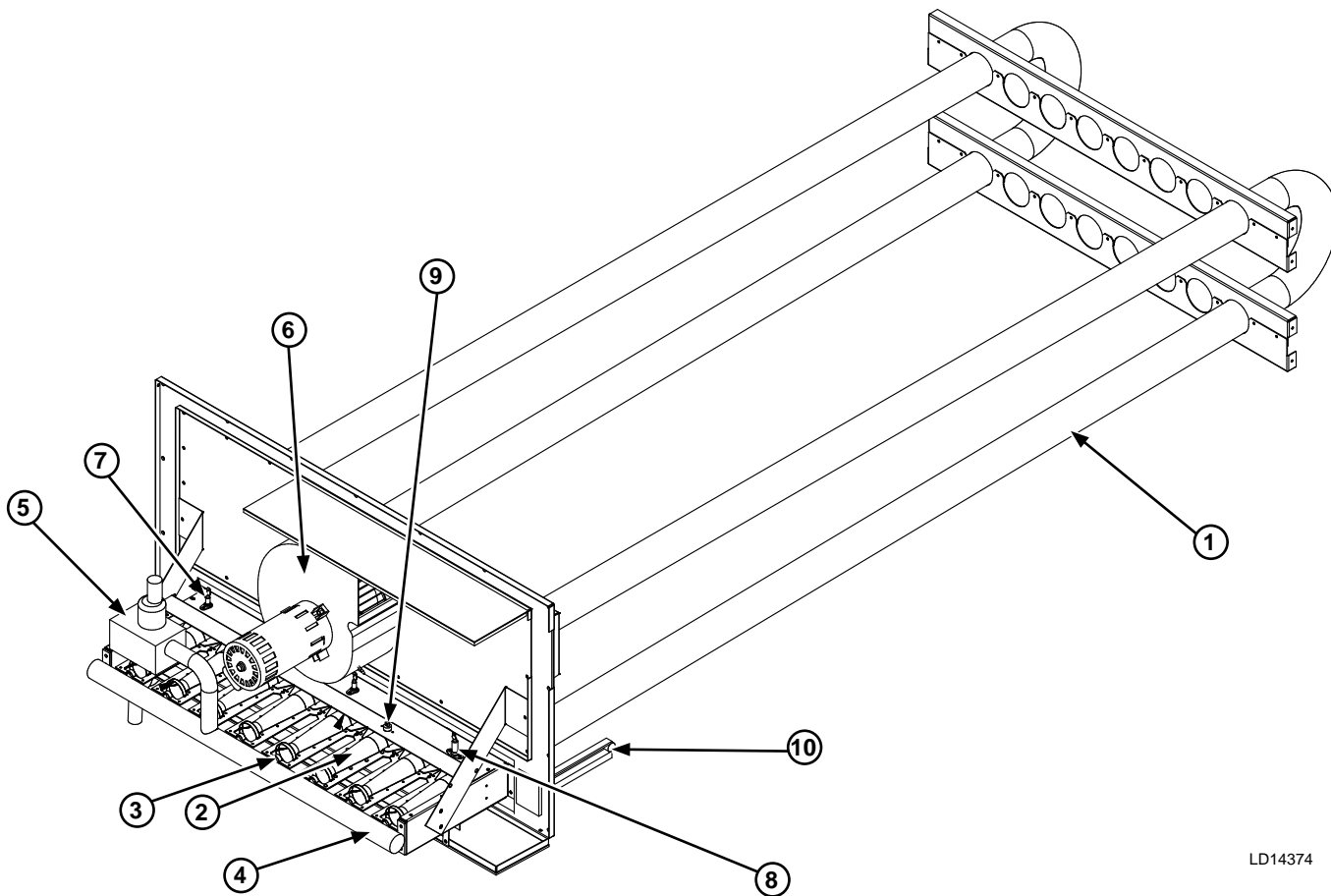
FIG. 39 - INTERNAL LIGHT KIT

TABLE 94 - STAGED HEAT EXCHANGER ASSEMBLY

FIG	ITEM	DESCRIPTION	PART NUMBER	QTY
40	1	HEAT EXCHANGER ASSY, ALUMINIZED STEEL	026-36442-000	1
40	1	HEAT EXCHANGER ASSY, STAINLESS STEEL	026-36441-000	1
40	2	BURNER NATURAL GAS	026-36440-000	8
40	2	BURNER PROPANE GAS	026-40812-000	8
40	3	ORIFICE NATURAL - #30	023-20077-000	8
40	3	ORIFICE PROPANE - #48	023-21664-000	8
40	4	MANIFOLD	029-22038-000	1
40	5	GAS VALVE NATURAL	026-36402-000	1
40	5	GAS VALVE PROPANE	SEE NOTE 1	1
40	6	COMBUSTION BLOWER MOTOR/FAN	026-36401-000	1
40	7	FLAME SENSOR	025-36314-000	1
40	8	SPARK IGNITER	025-36313-000	1
40	9	ROLL OUT SWITCH	025-36315-000	2
40	10	HIGH LIMIT SWITCH 140 F	025-36312-000	1
40	NOT SHOWN	PROPANE CONVERSION KIT (375 BTU)	385-10866-001	1
40	NOT SHOWN	PROPANE CONVERSION KIT (750 BTU)	385-10866-002	1
40	NOT SHOWN	PROPANE CONVERSION KIT (1125 BTU)	385-10866-003	1

Notes:

1. Order gas valve part number 026-36402-000 and propane kit 025-36312-000



LD14374

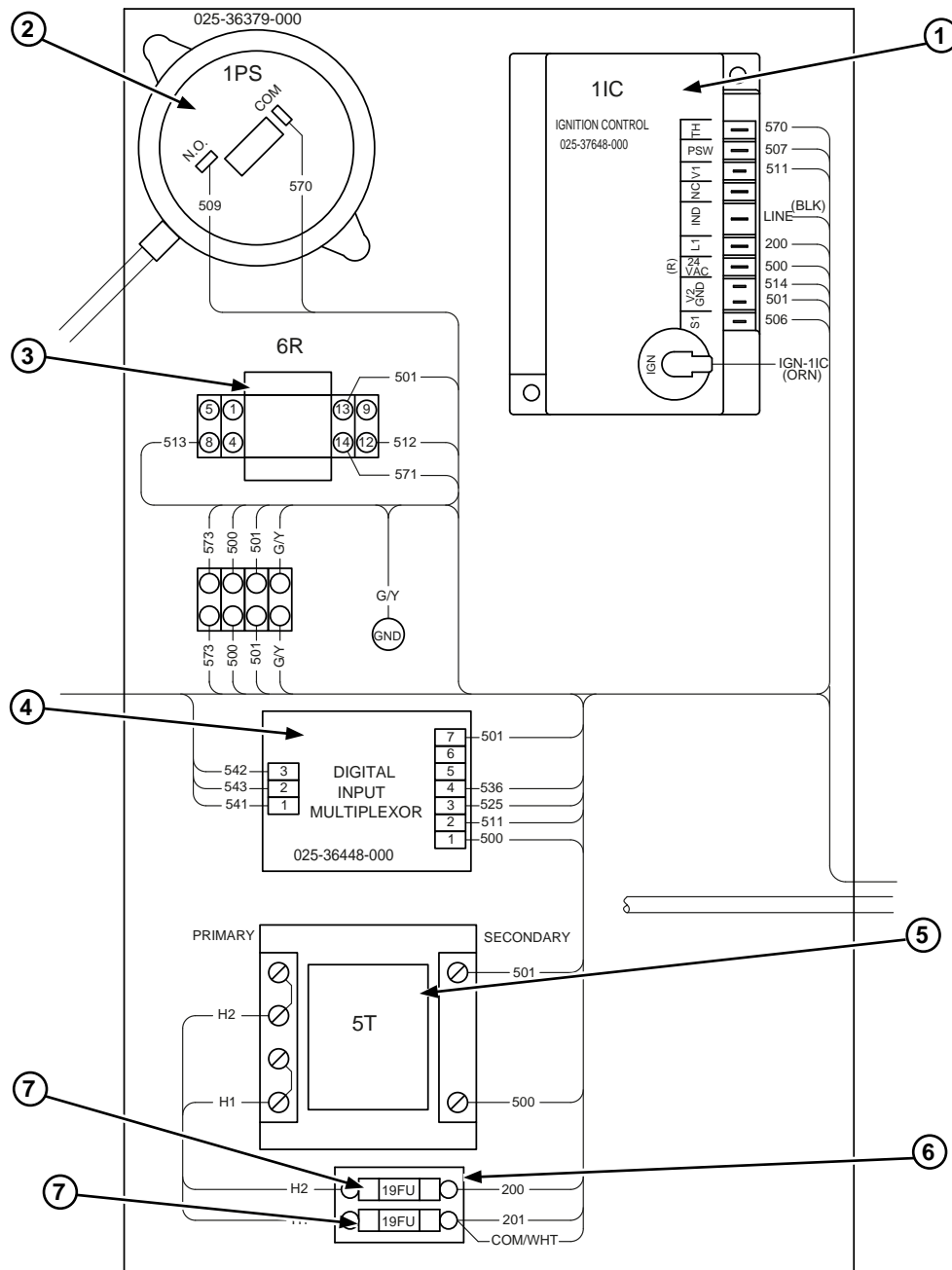
FIG. 40 - STAGED HEAT EXCHANGER ASSEMBLY

TABLE 95 - STAGED GAS HEAT CONTROL, 375 MBH

FIG	ITEM	DESCRIPTION	PART NUMBER	QTY
41	1	IGNITION CONTROL	025-37648-000	1
41	2	SWITCH PRESSURE, -1.35"	025-36379-001	1
41	3	RELAY, 24VAC, DPDT	024-33137-000	1
41	4	DIGITAL INPUT, MULTIPLEXOR	025-36448-000	1
41	5	TRANSFORMER 100 VA	025-40804-000	1
41	6	FUSEBLOCK, 2P, 30 AMP	025-34427-000	1
41	7	FUSE - 2 AMP	025-38309-000	2
SEE NOTE 1	8	HIGH LIMIT SWITCH, 150 F	025-37507-001	1

Notes:

1. This device is located at the rear of the heat exchanger

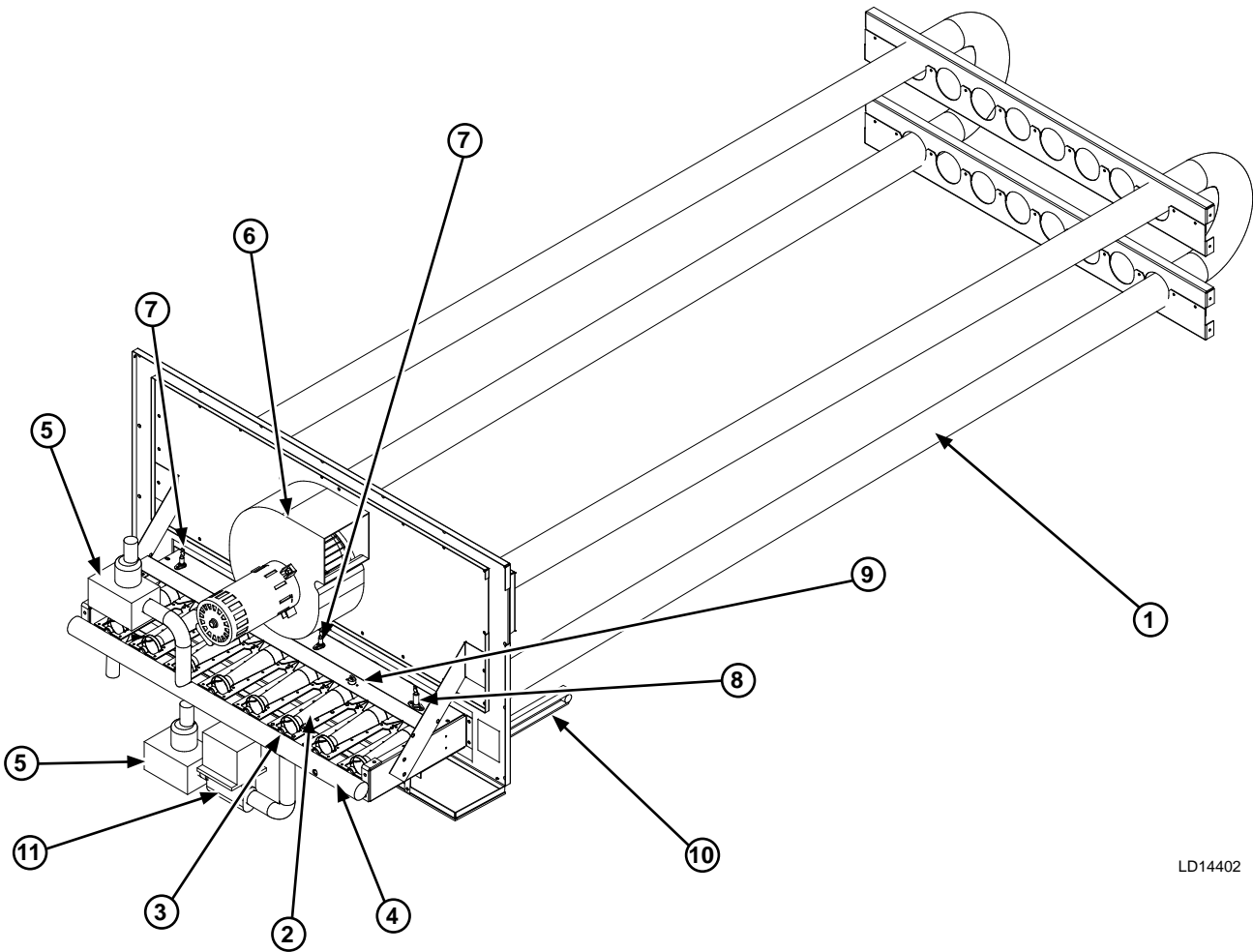


LD11330A

FIG. 41 - STAGED GAS HEAT CONTROL, 375 MBH SECTION

TABLE 96 - MODULATING HEAT EXCHANGER ASSEMBLY

FIG	ITEM	DESCRIPTION	PART NUMBER	QTY
42	1	HEAT EXCHANGER ASSY, STAINLESS STEEL	026-36441-000	1
42	2	BURNER NATURAL GAS	026-36440-000	8
42	3	ORIFICE NATURAL - #30	023-20077-000	8
42	4	MANIFOLD	029-22038-001	1
42	5	GAS VALVE NATURAL	026-36402-000	2
42	6	COMBUSTION BLOWER MOTOR/FAN	026-36401-100	1
42	7	FLAME SENSOR	025-36314-000	2
42	8	SPARK IGNITOR	025-36313-000	2
42	9	ROLL-OUT-SWITCH	025-36315-000	2
42	10	HIGH LIMIT SWITCH 140° F	025-36312-000	1
42	11	GAS VALVE MODULATING	026-40654-000	1



LD14402

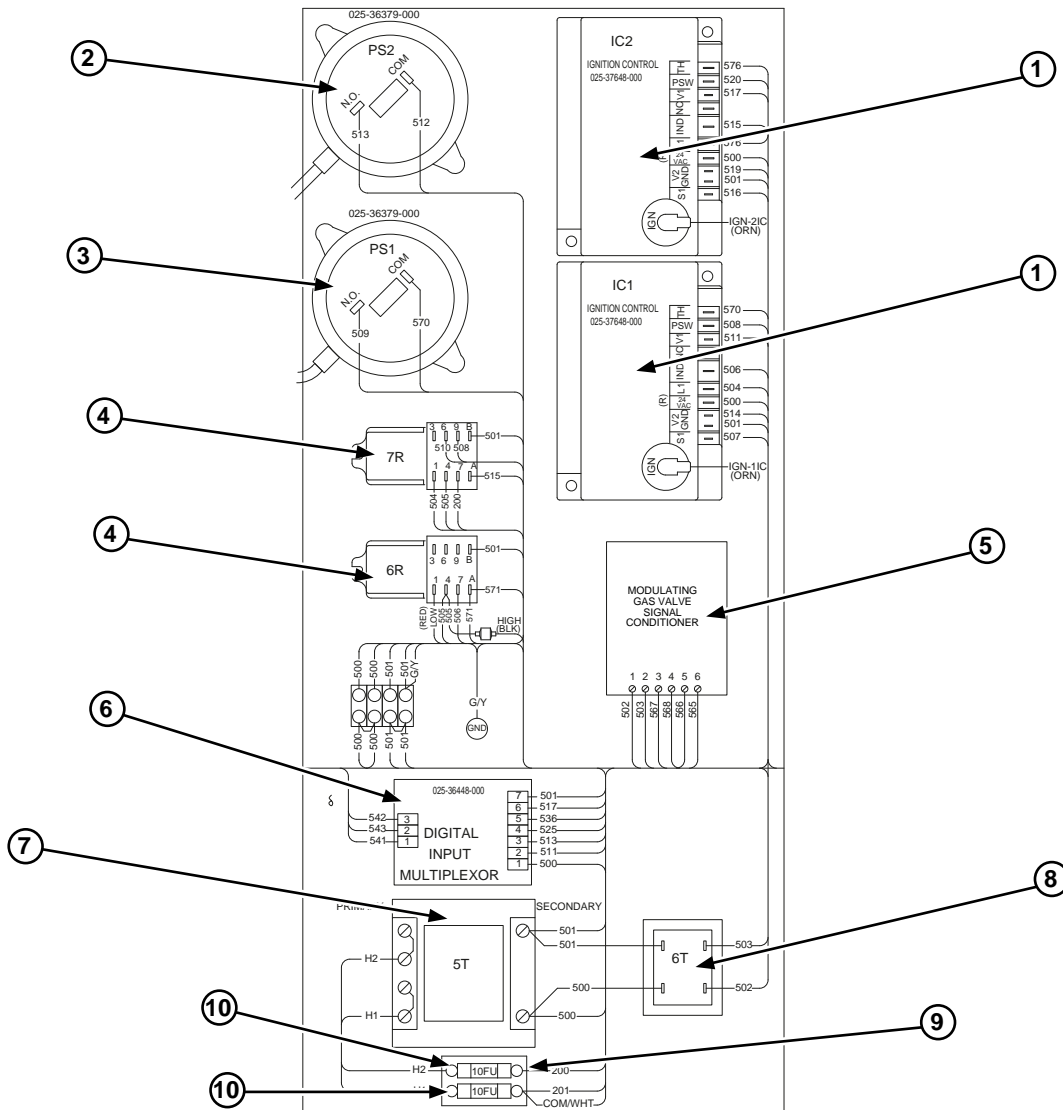
FIG. 42 - MODULATING HEAT EXCHANGER ASSEMBLY

TABLE 97 - MODULATING GAS HEAT CONTROLS

FIG	ITEM	DESCRIPTION	PART NUMBER	QTY
43	1	IGNITION CONTROL	025-37648-000	2
43	2	SWITCH PRESSURE, -1.5"	025-36379-002	1
43	3	SWITCH PRESSURE, -0.25"	025-36379-003	1
43	4	RELAY, 24VAC, DPDT	024-33137-000	2
43	5	SIGNAL CONDITIONER	025-36378-000	1
43	6	DIGITAL INPUT, MULTIPLEXOR	025-36448-000	1
43	7	TRANSFORMER 100 VA	025-40804-000	1
43	8	TRANSFORMER CLASS 2	024-34331-000	1
43	9	FUSEBLOCK, 2P, 30 AMP	025-34427-000	1
43	10	FUSE	025-38309-000	2
SEE NOTE 1	11	HIGH LIMIT SWITCH, 150 F	025-37507-001	1

Notes:

1. This device is located at the rear of the heat exchanger



LD11355A

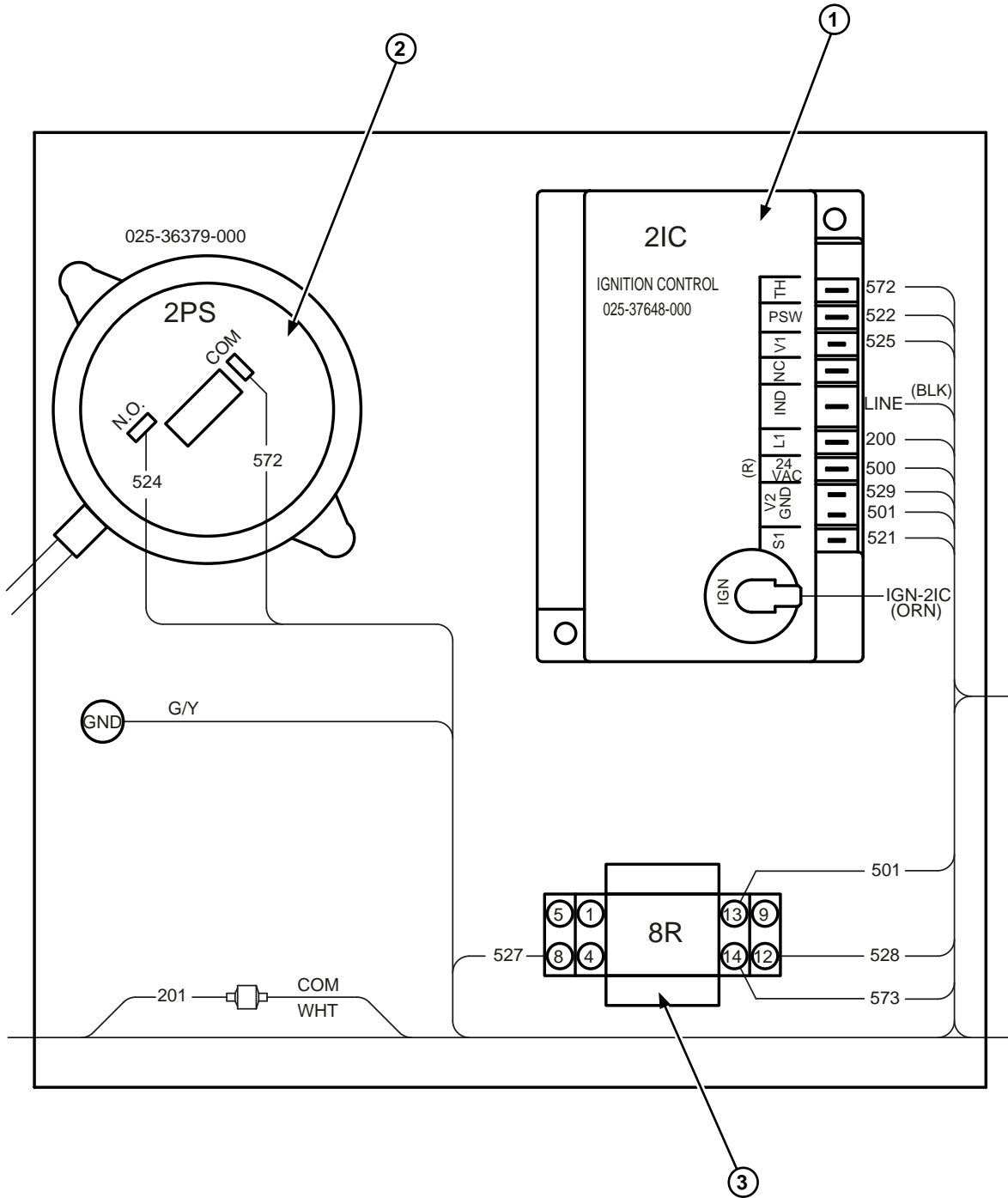
FIG. 43 - MODULATING GAS HEAT CONTROLS

TABLE 98 - STAGED GAS HEAT CONTROL 750 OR 1125 MBH SECTION

FIG	ITEM	DESCRIPTION	PART NUMBER	QTY
44	1	IGNITION CONTROL	025-37648-000	1
44	2	SWITCH PRESSURE, -1.35"	025-36379-001	1
44	3	RELAY, 24VAC, DPDT	024-25986-100	1
SEE NOTE 1	4	HIGH LIMIT SWITCH, 150 F	025-37507-001	1

Notes

1. This device is located at the rear of the heat exchanger

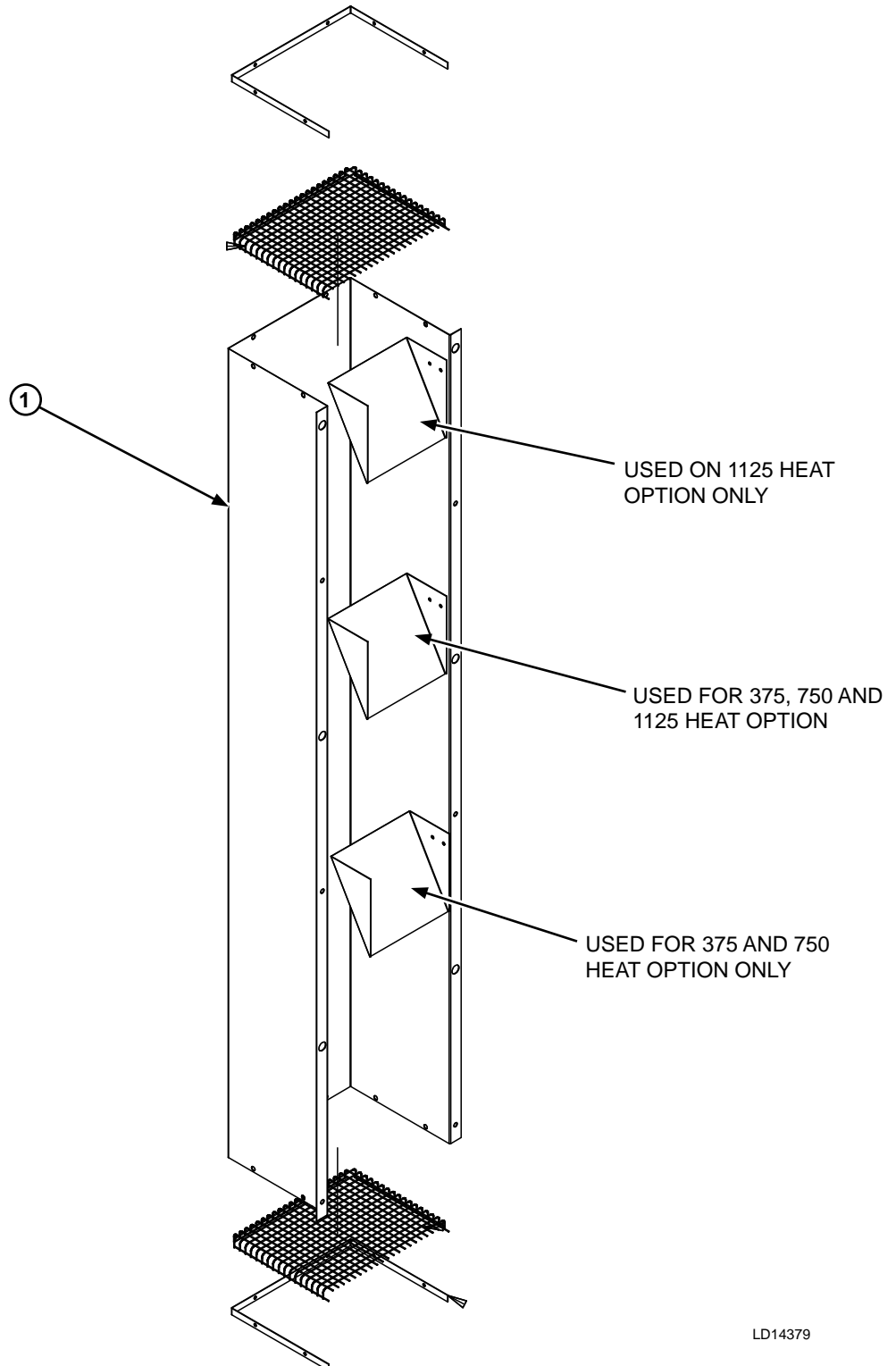


LD11328A

FIG. 44 - STAGED GAS HEAT CONTROL, 750 OT 1125 MBH SECTION

TABLE 99 - GAS HEAT CHIMNEY

FIG	ITEM	DESCRIPTION (GAS HEAT CAPACITY)	PART NUMBER
45	1	FOR 375,000 BTU GAS HEAT	385-10027-208
45	1	FOR 750,000 BTU GAS HEAT	385-10027-209
45	1	FOR 1,125,000 BTU GAS HEAT UNIT	385-10027-210



LD14379

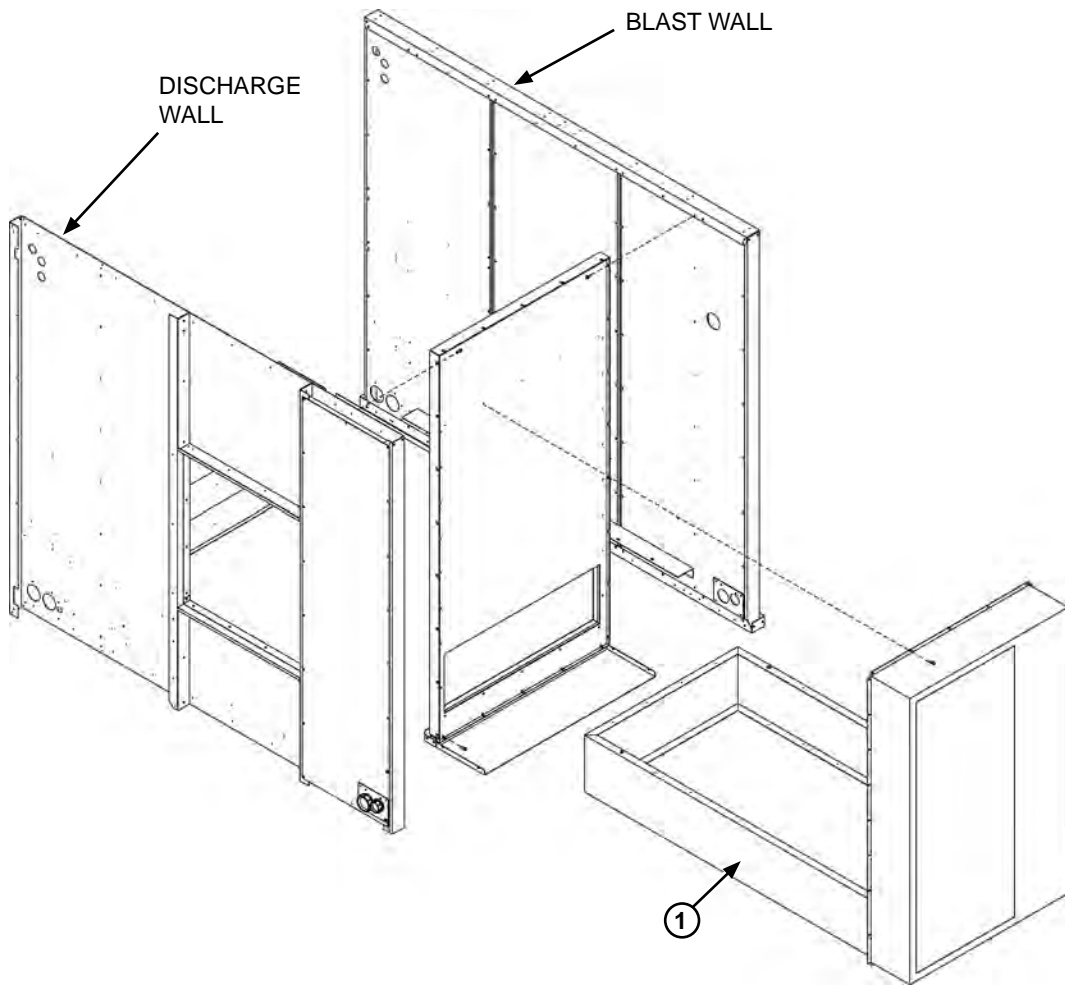
FIG. 45 - GAS HEAT CHIMNEY

TABLE 100 - ELECTRIC HEAT ELEMENTS

FIG	ITEM	VOLTAGE	KILOWATTS	PART NUMBER
46	1	208/230	40	025-37721-104
46	1	208/230	80	025-35721-105
46	1	208/230	108	025-35721-106
46	1	208/230	150	SEE NOTE 1
46	1	460	40	025-35721-117
46	1	460	80	025-35721-118
46	1	460	108	025-35721-119
46	1	460	150	025-35721-120
46	1	575	40	SEE NOTE 1
46	1	575	80	SEE NOTE 1
46	1	575	108	SEE NOTE 1
46	1	575	150	SEE NOTE 1

Notes:

1. Contact field service for replacement part number



LD11866A

FIG. 46 - ELECTRIC HEAT ELEMENTS

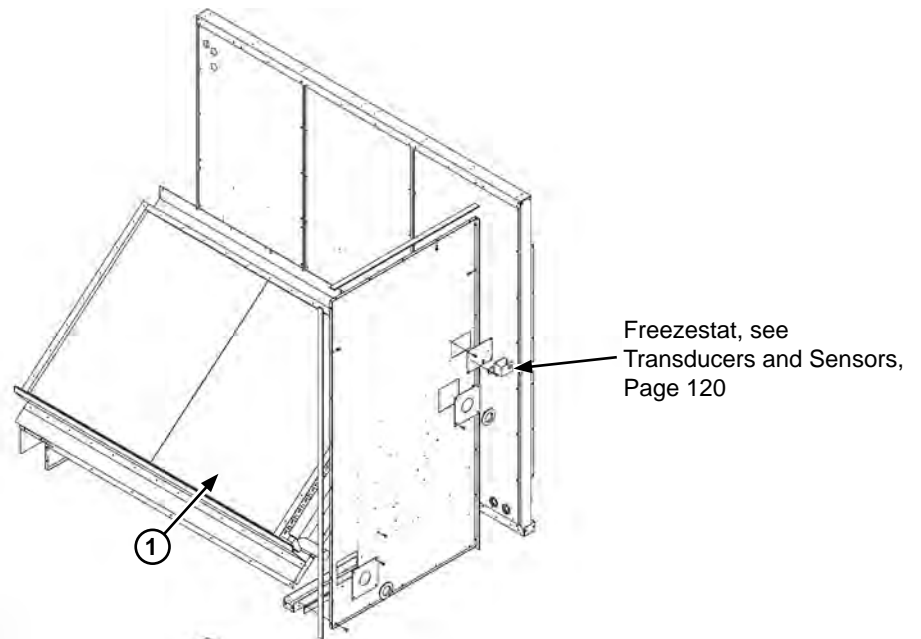
TABLE 101 - HOT WATER COIL

FIG	ITEM	ROWS DEEP	FPI	PART NUMBER
47	2	2	8	026-36434-100
47	2	2	10	026-36434-101
47	2	2	12	026-36434-102
47	2	2	14	026-36434-103
47	2	2	11	026-36434-104

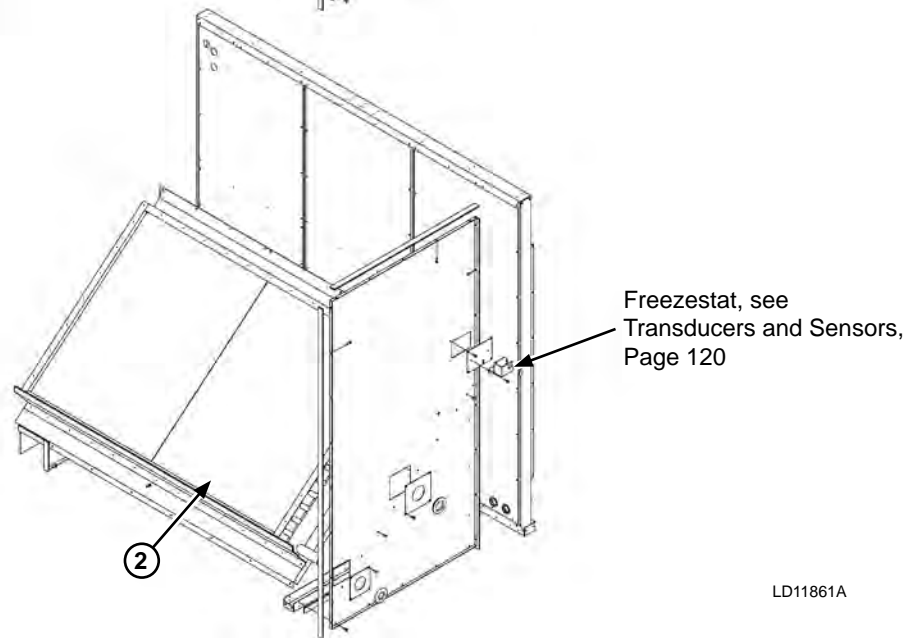
TABLE 102 - STEAM COIL

FIG	ITEM	ROWS DEEP	FPI	PART NUMBER
47	1	1	6	026-36433-100
47	1	1	8	026-36433-101
47	1	1	10	026-36433-102

STEAM COIL



HOT WATER COIL

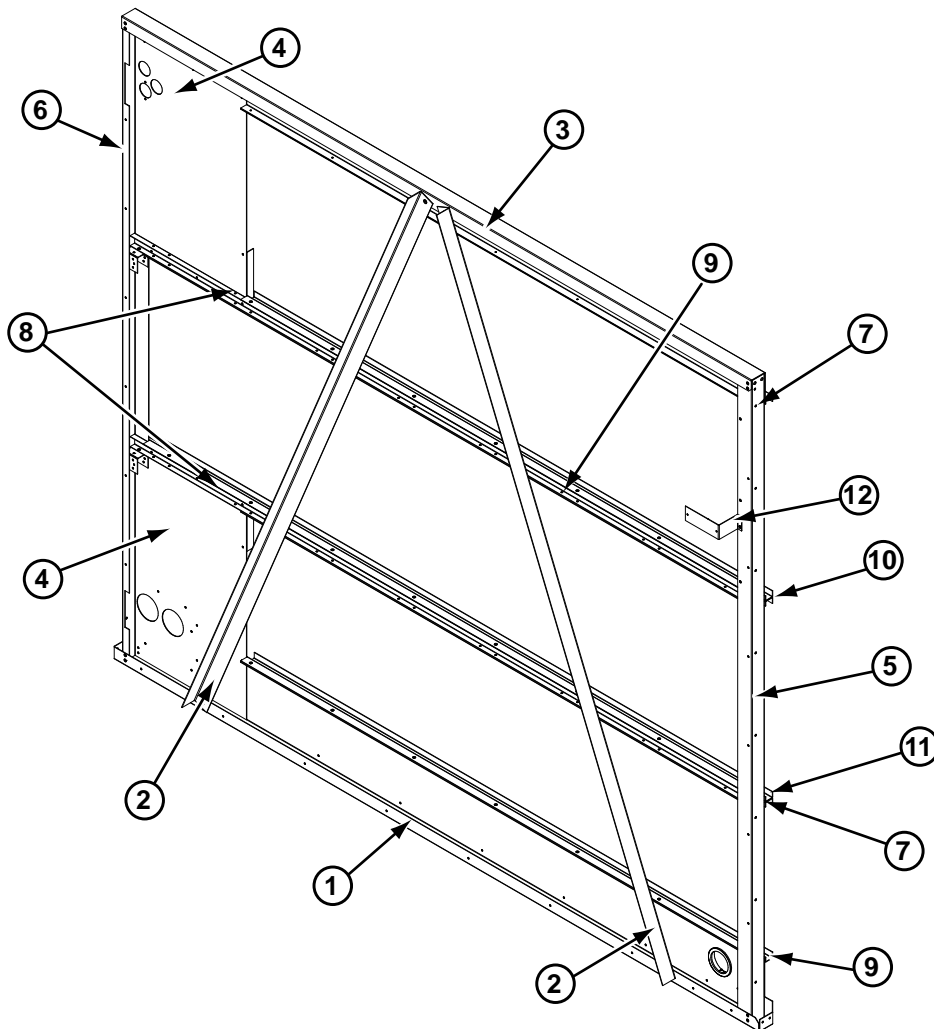


LD11861A

FIG. 47 - HOT WATER AND STEAM HEAT COILS

TABLE 103 - EXTENDED CABINET FILTER RACK

FIG	ITEM	DESCRIPTION	PART NUMBER	QTY
48	1	BOTTOM HORIZONTAL FILTER	085-10046-000	1
48	2	VERTICAL SUPPORT CHANNEL	085-10046-009	2
48	3	TOP HORIZONTAL FILTER	085-10046-003	1
48	4	FILTER STOP	085-10046-006	2
48	5	RH VERTICAL FILTER SUPPORT	085-10046-001	1
48	6	LH VERTICAL FITLER SUPPORT	085-10046-002	1
48	7	FILTER TRACK	085-10046-016	2
48	8	FILTER TRACK SUPPORT	085-10046-005	2
48	9	FILTER TRACK	085-10046-017	2
48	10	FILTER TRACK	085-10046-018	1
48	11	FILTER TRACK	085-10046-004	1
48	12	DIRTY FILTER SWITCH BRACKET	085-10046-011	1
49	13	FILTER 14 X 20	026-36380-000	9
49	14	FILTER 14 X 16	026-36342-010	3
50	15	DIRTY FILTER SWITCH	025-36116-000	1
50	16	MAGNEHELIC SWITCH	025-30449-001	1



LD14615

FIG. 48 - EXTENDED CABINET FILTER FRAME

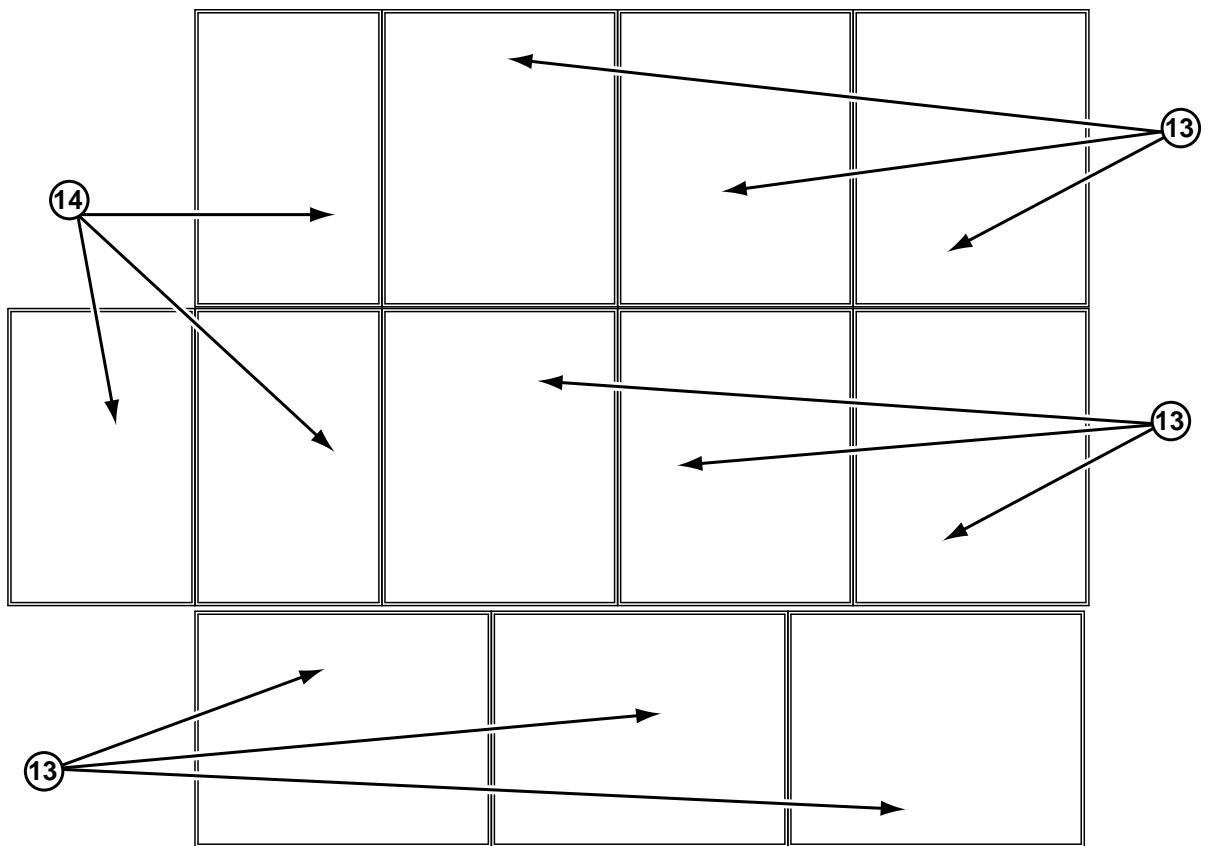
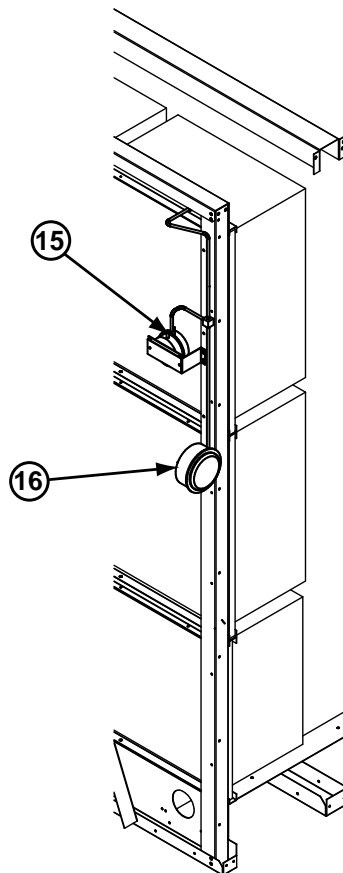


FIG. 49 - EXTENDED CABINET FILTERS

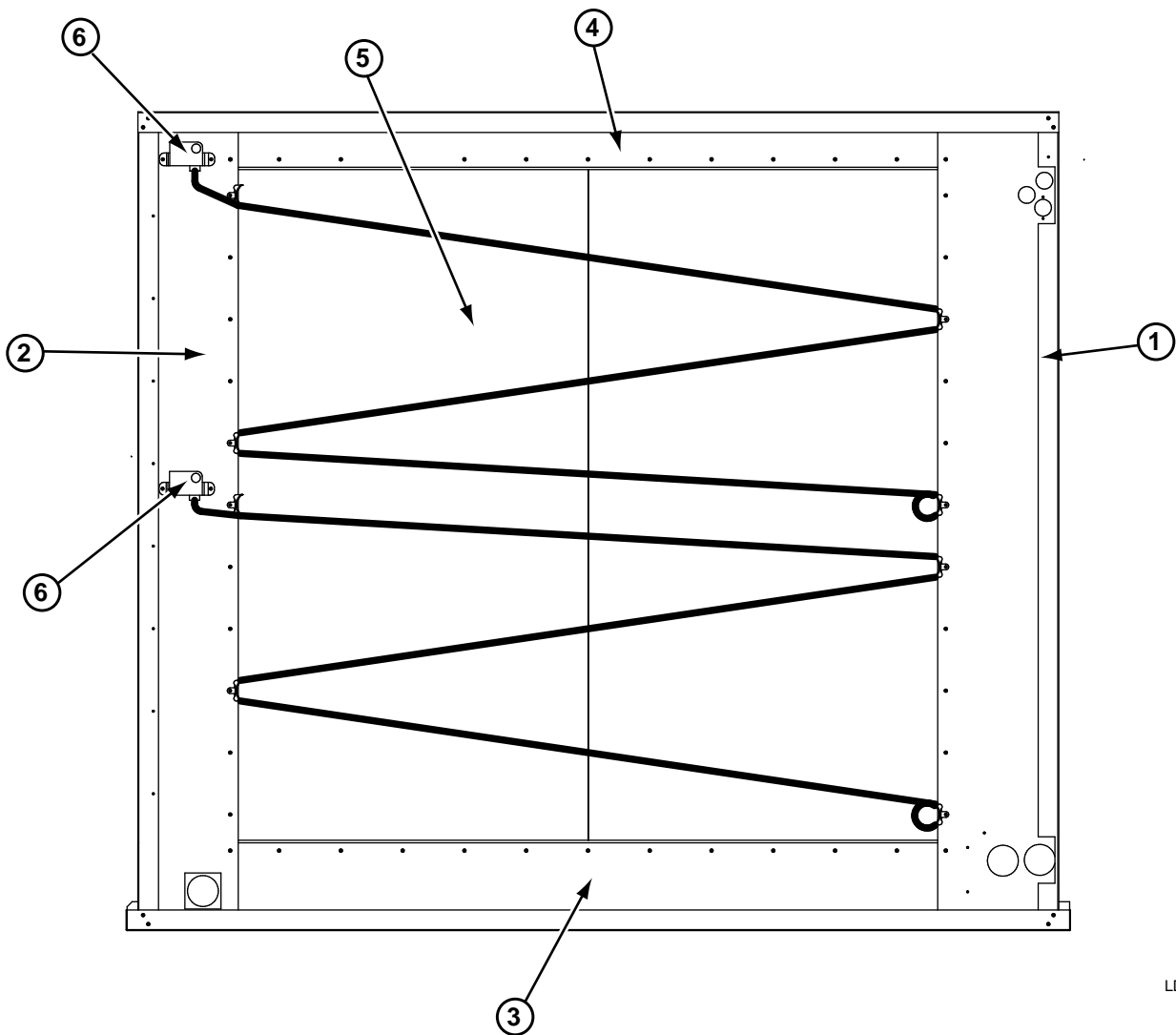


LD14617

FIG. 50 - EXTENDED CABINET FILTER CONTROLS

TABLE 104 - EXTENDED CABINET HOT WATER / STEAM COILS

FIG	ITEM	DESCRIPTION	PART NUMBER	QTY
51	1	VERTICAL LEFT HAND CHANNEL	085-10045-002	1
51	2	VERTICAL RIGHT HAND CHANNEL	085-10045-001	1
51	3	HORIZONTAL BOTTOM SUPPORT	085-10045-003	1
51	4	HORIZONTAL TOP SUPPORT	085-10045-000	1
51	5	STEAM COIL (1R X 6 FPI)	026-36433-110	1
51	5	STEAM COIL (1R X 8 FPI)	026-36433-111	1
51	5	STEAM COIL (1R X 10 FPI)	026-36433-112	1
51	5	HOT WATER COIL (2R X 8 FPI)	026-36434-110	1
51	5	HOT WATER COIL (2R X 10 FPI)	026-36434-111	1
51	5	HOT WATER COIL (2R X 12 FPI)	026-36434-112	1
51	5	HOT WATER COIL (2R X 14 FPI)	026-36434-113	1
51	5	HOT WATER COIL (2R X 11 FPI)	026-36434-114	1
51	6	FREEZESTAT	025-35787-002	2

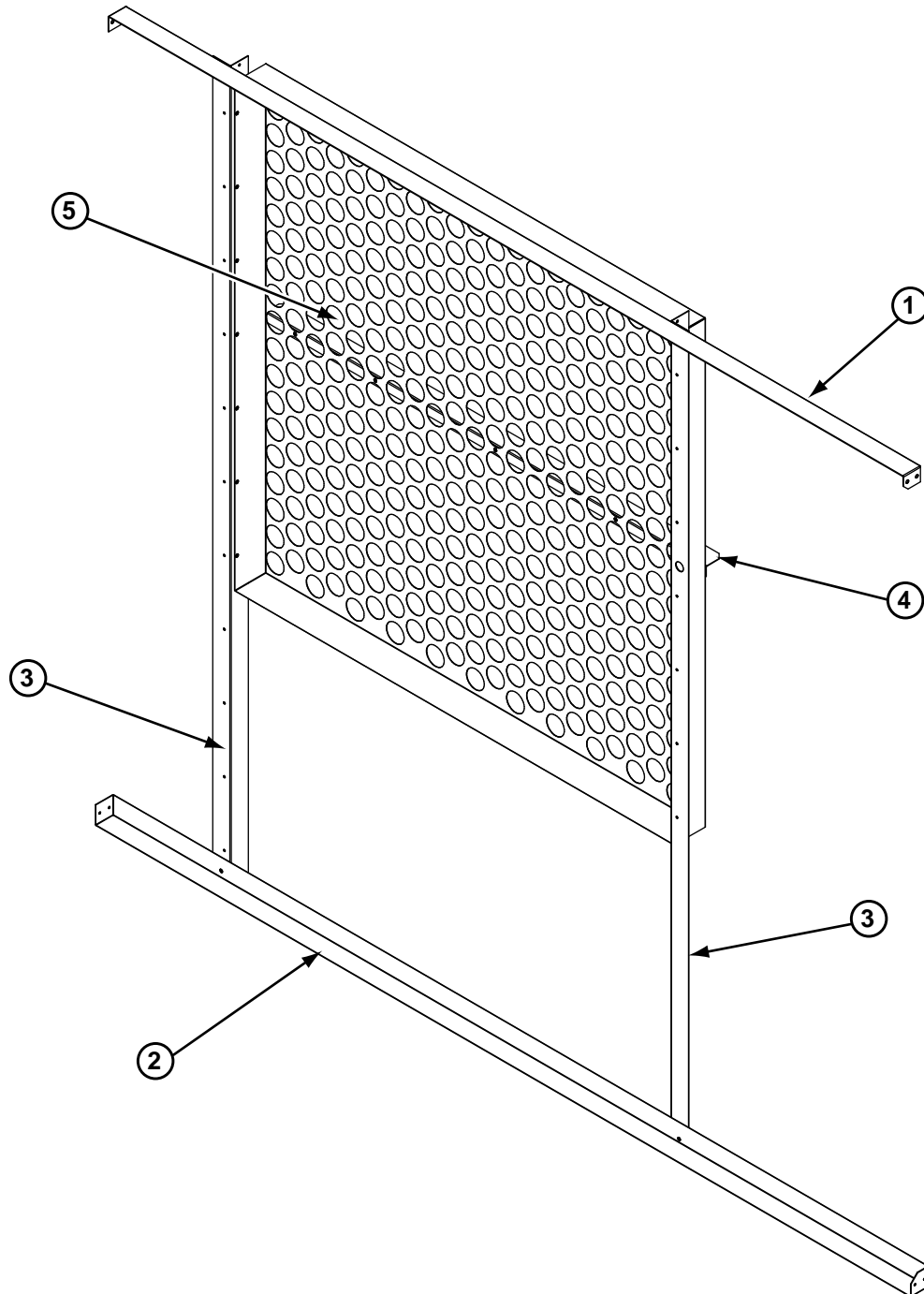


LD14618

FIG. 51 - STEAM HOT WATER

TABLE 105 - EXTENDED CABINET DIFFUSER ASSEMBLY

FIG	ITEM	DESCRIPTION	PART NUMBER	QTY
52	1	TOP HORIZONTAL SUPPORT	085-10044-000	1
52	2	BOTTOM HORIZONTAL SUPPORT	085-10044-001	1
52	3	VERTICAL SUPPORT	085-10044-002	2
52	4	MIDDLE HORIZONTAL SUPPORT	085-10044-003	1
52	5	PERFERATED PLATE DIFFUSER	085-10044 005	1

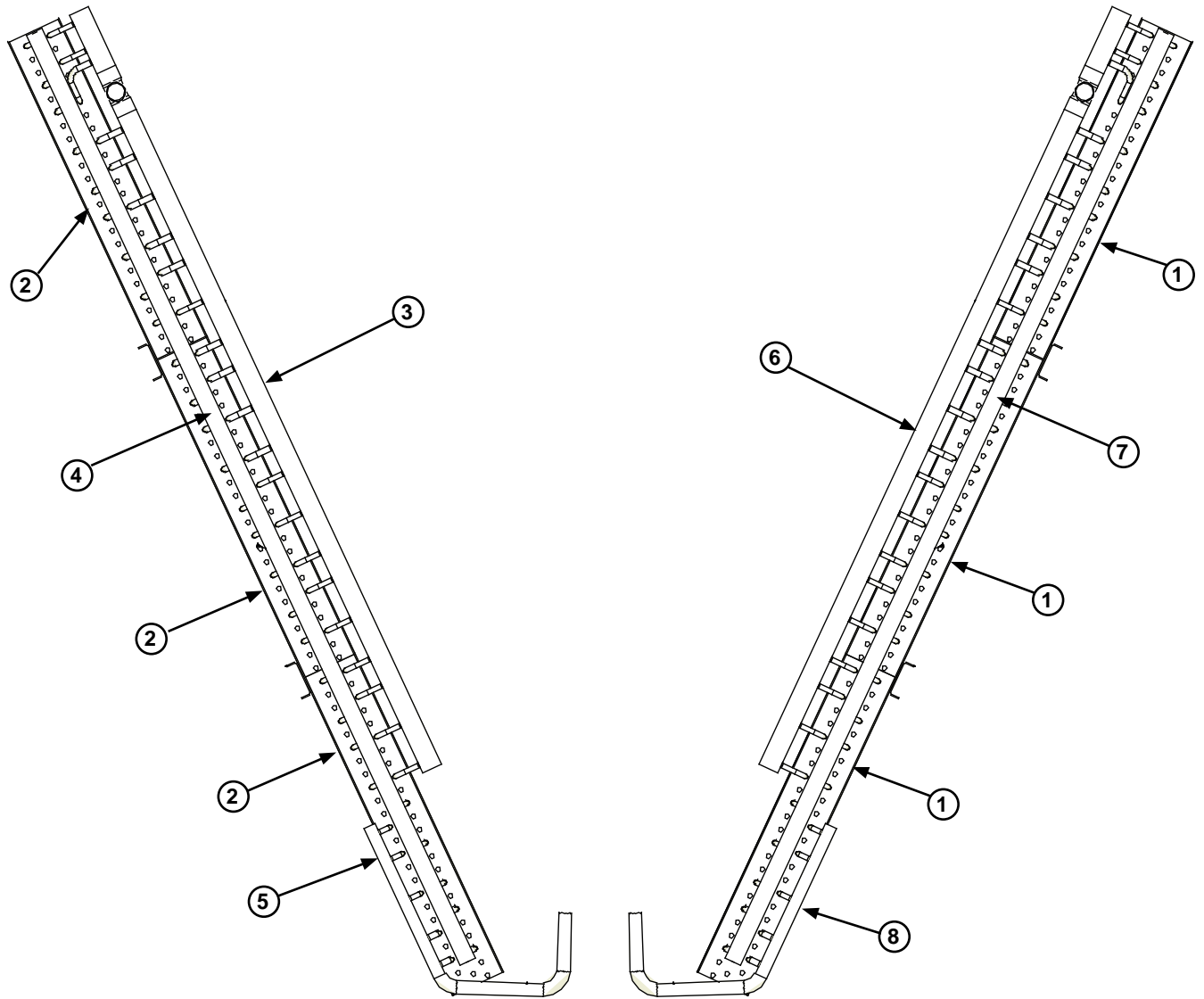


LD14619

FIG. 52 - EXTENDED CABINET DIFFURSER

TABLE 106 - CONDENSER COIL ASSEMBLIES

FIG	ITEM	DESCRIPTION	UNIT SIZE			
			050	051	060	061
53	1	LH COND COIL ALUMINUM FIN	385-10024-104	385-10024-104	385-10024-123	385-10024-123
53	1	LH COND COIL COPPER FIN	385-10024-106	385-10024-106	835-10024-125	835-10024-125
53	1	LH COND COIL PRECOATED FINS	385-10024-108	385-10024-108	385-10024-127	385-10024-127
53	1	LH COND COIL POST COATED FINS	385-10024-135	385-10024-135	385-10024-137	385-10024-137
53	2	RH COND COIL ALUMINUM FIN	385-10024-105	385-10024-105	385-10024-124	385-10024-124
53	2	RH COND COIL COPPER FIN	385-10024-107	385-10024-107	385-10024-126	385-10024-126
53	2	RH COND COIL PRECOATED FINS	385-10024-109	385-10024-109	385-10024-128	385-10024-128
53	2	RH COND COIL POST COATED FINS	385-10024-136	385-10024-136	385-10024-138	385-10024-138
53	3	RH DISCHARGE HEADER ALUM, COPPER, AND PRECOATED	385-10024-150	385-10024-150	385-10024-170	385-10024-170
53	3	RH DISCHARGE HEADER POST COATED	385-10024-160	385-10024-160	385-10024-180	385-10024-180
53	4	RH INTERMEDIATE HEADER ALUM, COPPER, AND PRECOAT	385-10024-154	385-10024-154	385-10024-174	385-10024-174
53	4	RH INTERMEDIATE HEADER POST COATED	385-10024-164	385-10024-164	385-10024-184	385-10024-184
53	5	RH LIQUID HEADER ALUM, COPPER, AND PRECOATED	385-10024-152	385-10024-152	385-10024-172	385-10024-172
53	5	RH LIQUID HEADER POST COATED	385-10024-162	385-10024-162	385-10024-182	385-10024-182
53	6	LH DISCHARGE HEADER ALUM, COPPER, AND PRECOATED	385-10024-151	385-10024-151	385-10024-171	385-10024-171
53	6	LH DISCHARGE HEADER POST COATED	385-10024-161	385-10024-161	385-10024-181	385-10024-181
53	7	LH INTERMEDIATE HEADER ALUM, COPPER, AND PRECOAT	385-10024-155	385-10024-155	385-10024-175	385-10024-175
53	7	LH INTERMEDIATE HEADER POST COATED	385-10024-165	385-10024-165	385-10024-185	385-10024-185
53	8	LH LIQUID HEADER ALUM, , AND PRECOATED	385-10024-153	385-10024-153	385-10024-173	385-10024-173
53	8	LH LIQUID HEADER POST COATED	385-10024-163	385-10024-163	385-10024-183	385-10024-183

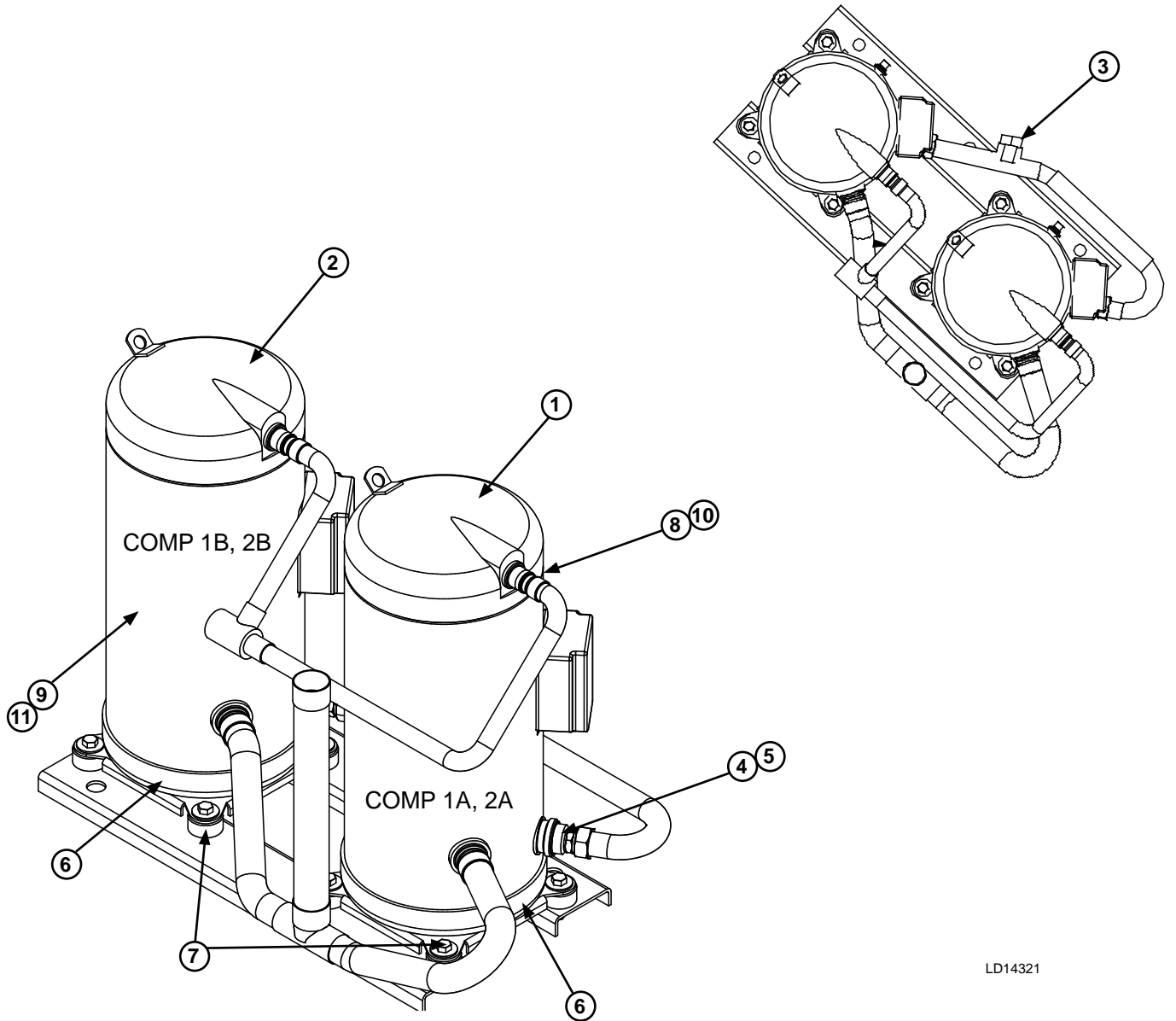


LD14320

FIG. 53 - CONDENSER COIL ASSEMBLIES

TABLE 107 - COMPRESSOR ASSEMBLIES

FIG	ITEM	DESCRIPTION	UNIT SIZE			
			050	051	060	061
54	1	COMPRESSOR 1A - 208/230 -3-60	015-04060-101	015-04061-101	015-04059-101	015-04059-101
54	2	COMPRESSOR 1B - 208/230-3-60	015-04061-101	015-04061-101	015-04061-101	015-04061-101
54	1	COMPRESSOR 2A - 208/230-3-60	015-04060-101	015-04061-101	015-04059-101	015-04059-101
54	2	COMPRESSOR 2B - 208/230-3-60	015-04061-101	015-04061-101	015-04061-101	015-04064-101
54	1	COMPRESSOR 1A - 460 -3-60	015-04060-104	015-04061-104	015-04059-104	015-04059-104
54	2	COMPRESSOR 1B - 460-3-60	015-04061-104	015-04061-104	015-04061-104	015-04061-104
54	1	COMPRESSOR 2A - 460-3-60	015-04060-104	015-04061-104	015-04059-104	015-04059-104
54	2	COMPRESSOR 2B - 460-3-60	015-04061-104	015-04061-104	015-04061-104	015-04064-104
54	1	COMPRESSOR 1A - 575 -3-60	015-04060-105	015-04061-105	015-04059-105	015-04059-105
54	2	COMPRESSOR 1B - 575-3-60	015-04061-105	015-04061-105	015-04061-105	015-04061-105
54	1	COMPRESSOR 2A - 575-3-60	015-04060-105	015-04061-105	015-04059-105	015-04059-105
54	2	COMPRESSOR 2B - 575-3-60	015-04061-105	015-04061-105	015-04061-105	015-04064-105
54	3	OIL SIGHT GLASS	026-32800-000	026-32800-000	026-32800-000	026-32800-000
54	4	ADAPTER ROTALOCK	023-23697-000	023-23697-000	023-23697-000	023-23697-000
54	5	GASKET ROTOALOCK	028-15816-000	028-15816-000	028-15816-000	028-15816-000
54	6	CRANKCASE HEATER - 208/230-3-60	025-41975-240	025-41975-240	025-41975-240	025-41975-240
54	6	CRANKCASE HEATER - 460-3-60	025-41975-480	025-41975-480	025-41975-480	025-41975-480
54	6	CRANKCASE HEATER - 575-3-60	025-41975-575	025-41975-575	025-41975-575	025-41975-575
54	7	COMP MOUNTING KIT	328-15326-000	328-15326-000	328-15326-000	328-15326-000
54	8	COMP BLANKET 1A	010-07770-001	010-07770-001	010-07770-002	010-07770-002
54	9	COMP BLANKET 1B	010-07770-001	010-07770-001	010-07770-001	010-07770-001
54	10	COMP BLANKET 2A	010-07770-001	010-07770-001	010-07770-002	010-07770-002
54	11	COMP BLANKET 2B	010-07770-001	010-07770-001	010-07770-001	010-07770-002

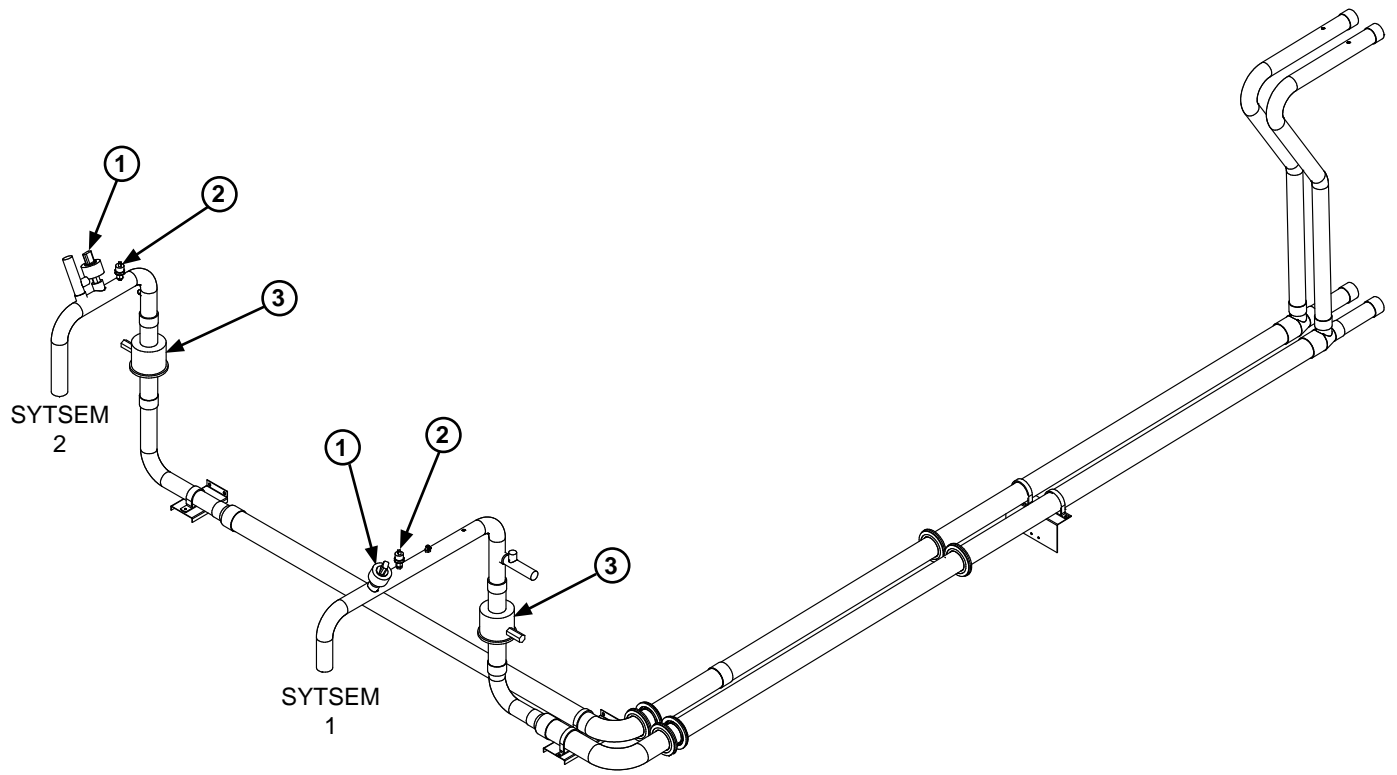


LD14321

FIG. 54 - COMPRESSOR ASSEMBLIES

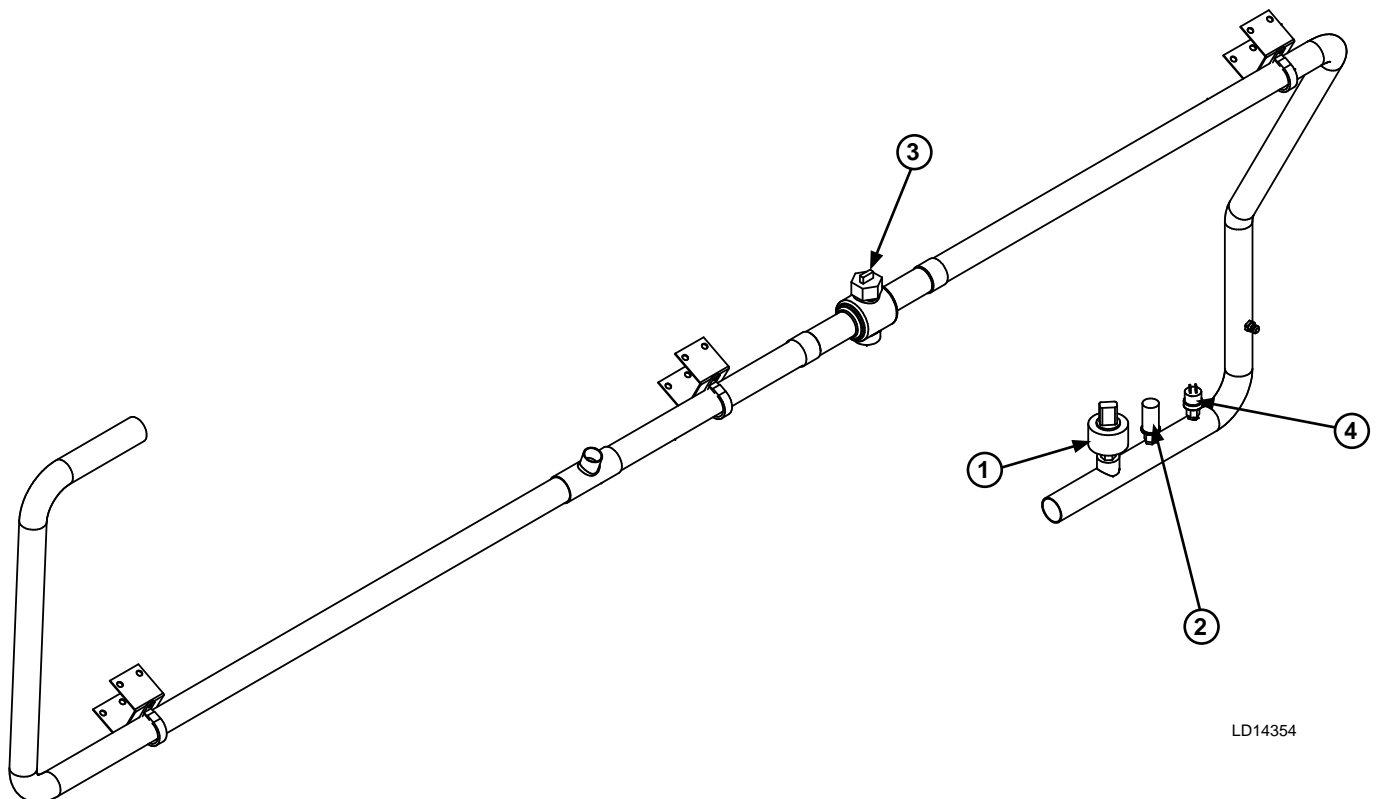
TABLE 108 - REFRIGERANT PIPING ASSEMBLIES

FIG	ITEM	DESCRIPTION	UNIT SIZE			
			050	051	060	061
55	1	SUCTION PRESSURE TRANSDUCER SYS 1	025-41756-002	025-41756-002	025-41756-002	025-41756-002
55	1	SUCTION PRESSURE TRANSDUCER SYS 2	025-41756-002	025-41756-002	025-41756-002	025-41756-002
55	2	LOW PRESSURE CUTOOUT SYS 1	025-39909-000	025-39909-000	025-39909-000	025-39909-000
55	2	LOW PRESSURE CUTOOUT SYS 2	025-39909-000	025-39909-000	025-39909-000	025-39909-000
55	3	SUCTION VALVE SYS 1	022-10501-000	022-10501-000	022-10501-000	022-10501-000
55	3	SUCTION VALVE SYS 2	022-10501-000	022-10501-000	022-10501-000	022-10501-000
56	1	DISCHARGE PRESSURE TRANSDUCER SYS 1	025-41756-003	025-41756-003	025-41756-003	025-41756-003
56	2	HIGH PRESSURE CUTOOUT SYS 1	025-41535-000	025-41535-000	025-41535-000	025-41535-000
56	3	DISCHARGE SHUTOFF VALVE SYS 1	022-09750-000	022-09750-000	022-09750-000	022-09750-000
56	4	CONDENSER FAN CYCLING SWITCH SYS 1	025 39908-000	025 39908-000	025 39908-000	025 39908-000
57	1	DISCHARGE PRESSURE TRANSDUCER SYS 2	025-41756-003	025-41756-003	025-41756-003	025-41756-003
57	2	HIGH PRESSURE CUTOOUT SYS 2	025-41535-000	025-41535-000	025-41535-000	025-41535-000
57	3	DISCHARGE SHUTOFF VALVE SYS 2	022-09750-000	022-09750-000	022-09750-000	022-09750-000
57	4	CONDENSER FAN CYCLING SWITCH SYS 2	025 39908-000	025 39908-000	025 39908-000	025 39908-000
58	1	HOT GAS BYPASS VALVE	025-40962-001	025-40962-001	025-40962-001	025-40962-001
59	1	LIQUID SHUT OFF VALVE SYS 1	022-09754-100	022-09754-100	022-09754-100	022-09754-100
59	1	LIQUID SHUT OFF VALVE SYS 2	022-09754-100	022-09754-100	022-09754-100	022-09754-100
59	2	LIQUID SIGHT GLASS, SYS 1	026-15305-000	026-15305-000	026-15305-000	026-15305-000
59	2	LIQUID SIGHT GLASS, SYS 2	026-15305-000	026-15305-000	026-15305-000	026-15305-000
59	3	SOLID CORE DRIER (SPORLAN)	C-607-S	C-607-S	C-607-S	C-607-S
59	3	SOLID CORE DRIER (SPORLAN)	C-607-S	C-607-S	C-607-S	C-607-S
59	4	FILTER DRYER CANISTER - SYS 1 (SPORLAN)	026-10668-000 C-967-G	026-10668-000 C-967-G	026-10668-000 C-967-G	026-10668-000 C-967-G
59	4	FILTER DRYER CANISTER - SYS 2 (SPORLAN)	026-10668-000 C-967-G	026-10668-000 C-967-G	026-10668-000 C-967-G	026-10668-000 C-967-G
59	5	REPLACEABLE CORE (SPORLAN)	RCW-48	RCW-48	RCW-48	RCW-48
59	5	REPLACEABLE CORE (SPORLAN)	RCW-48	RCW-48	RCW-48	RCW-48



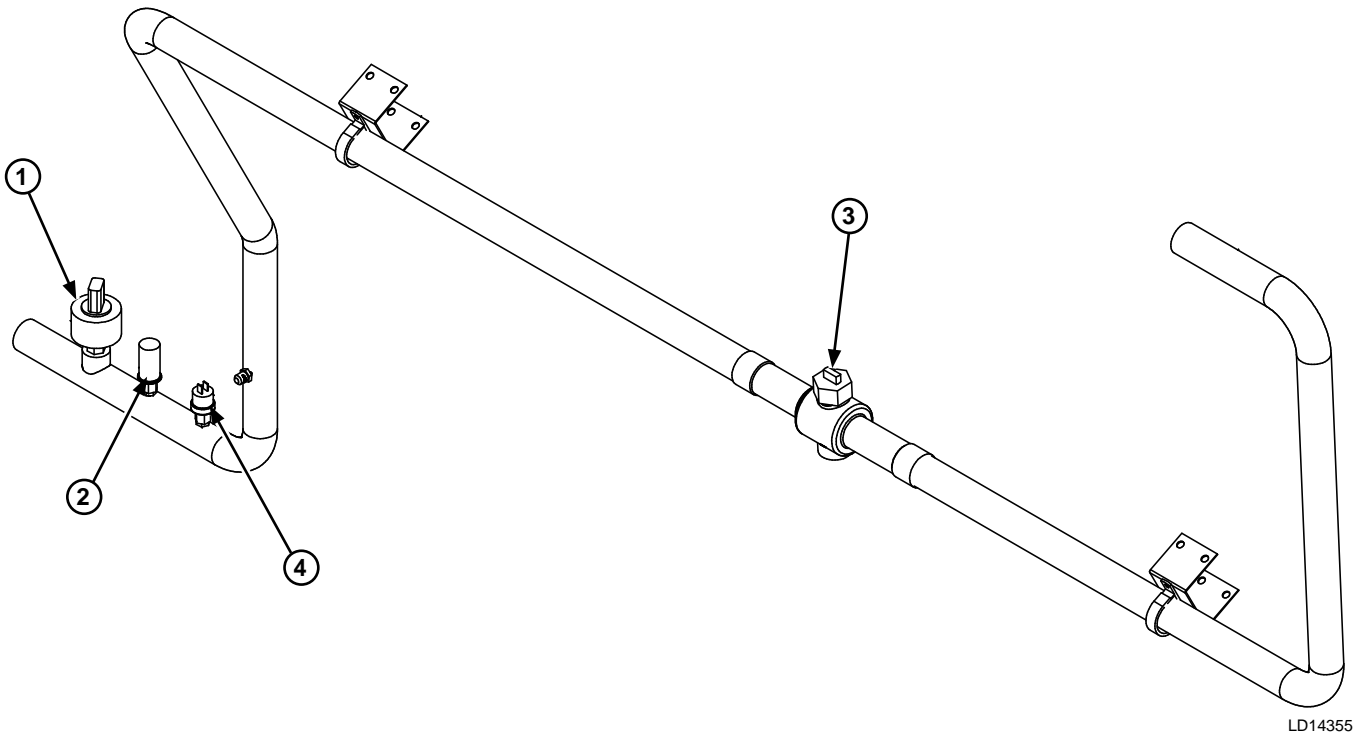
LD14353

FIG. 55 - REFRIGERANT PIPING ASSEMBLIES



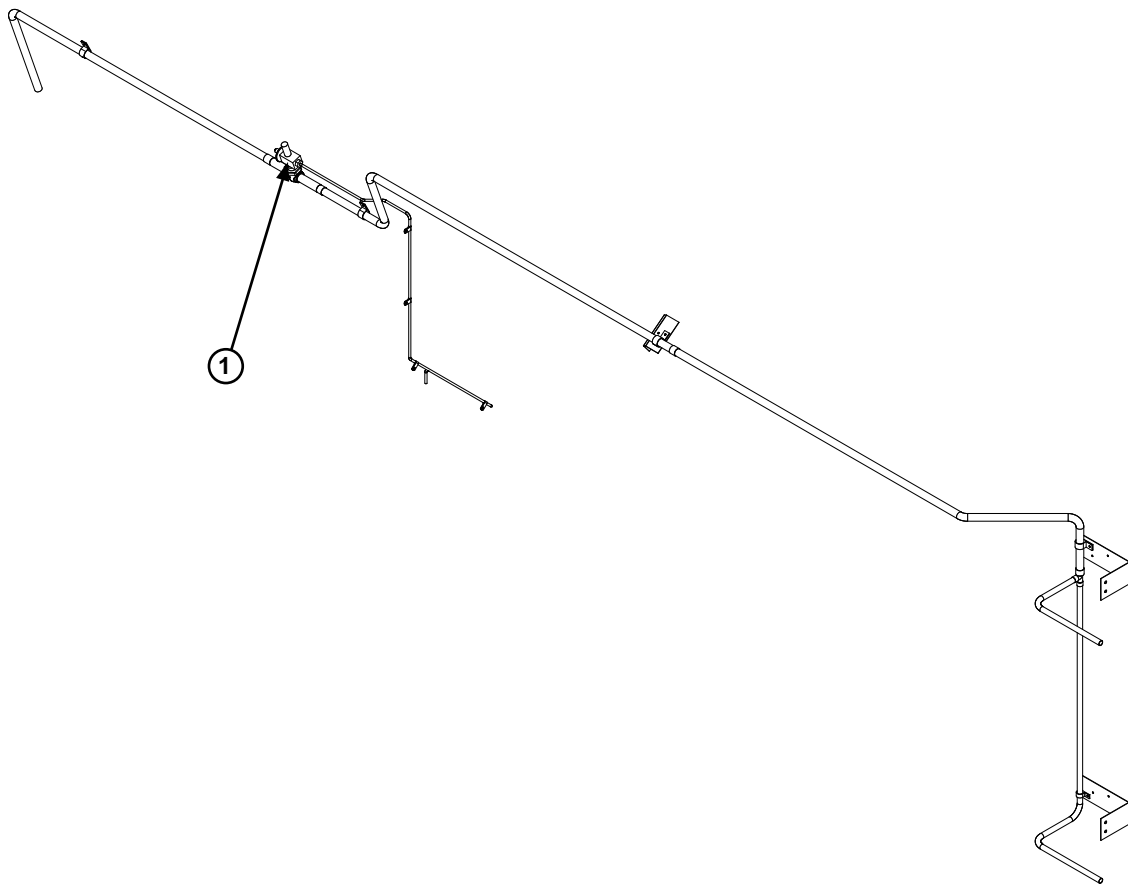
LD14354

FIG. 56 - REFRIGERANT PIPING ASSEMBLIES



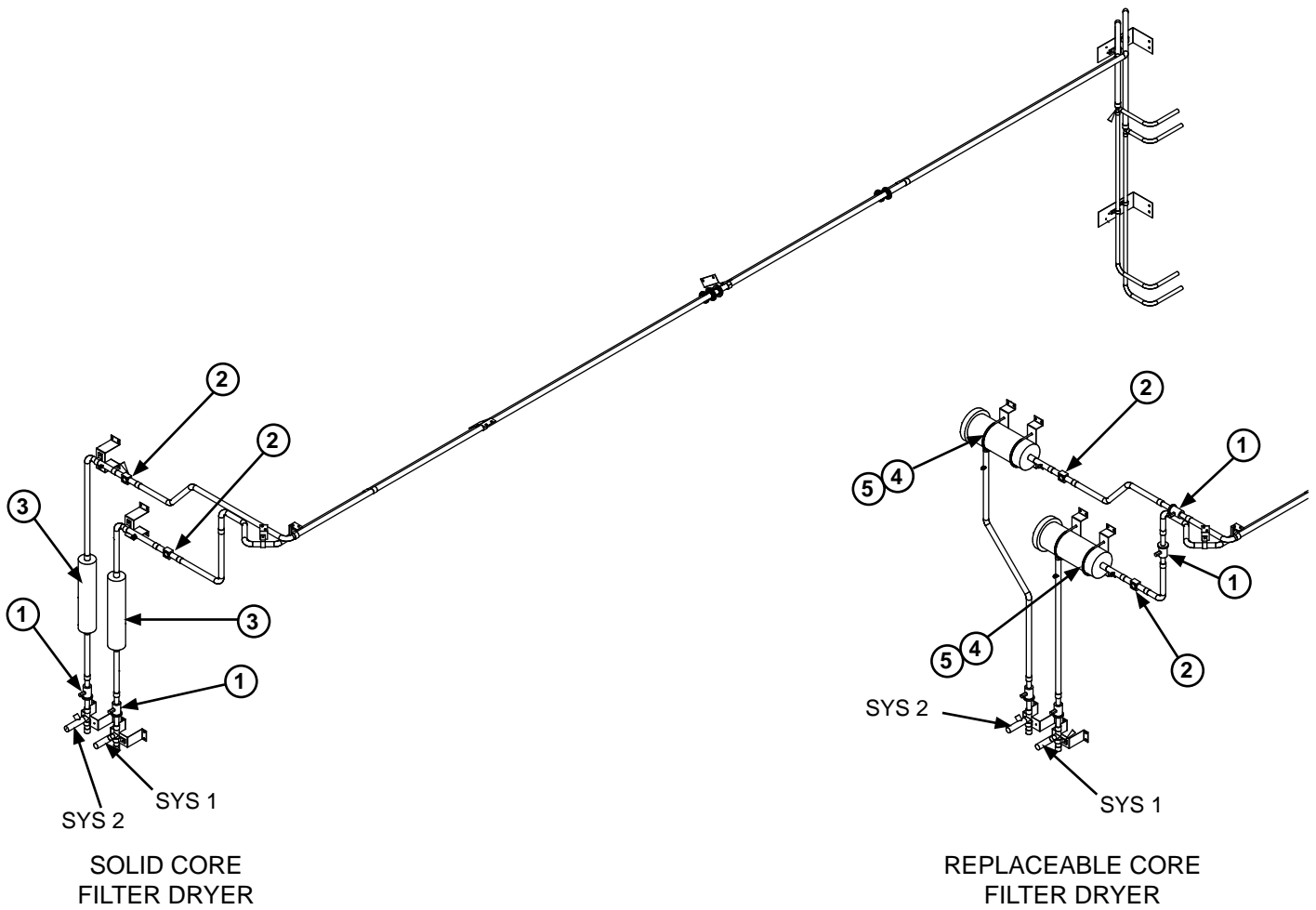
LD14355

FIG. 57 - REFRIGERANT PIPING ASSEMBLIES



LD14356

FIG. 58 - REFRIGERANT PIPING ASSEMBLIES



SOLID CORE
FILTER DRYER

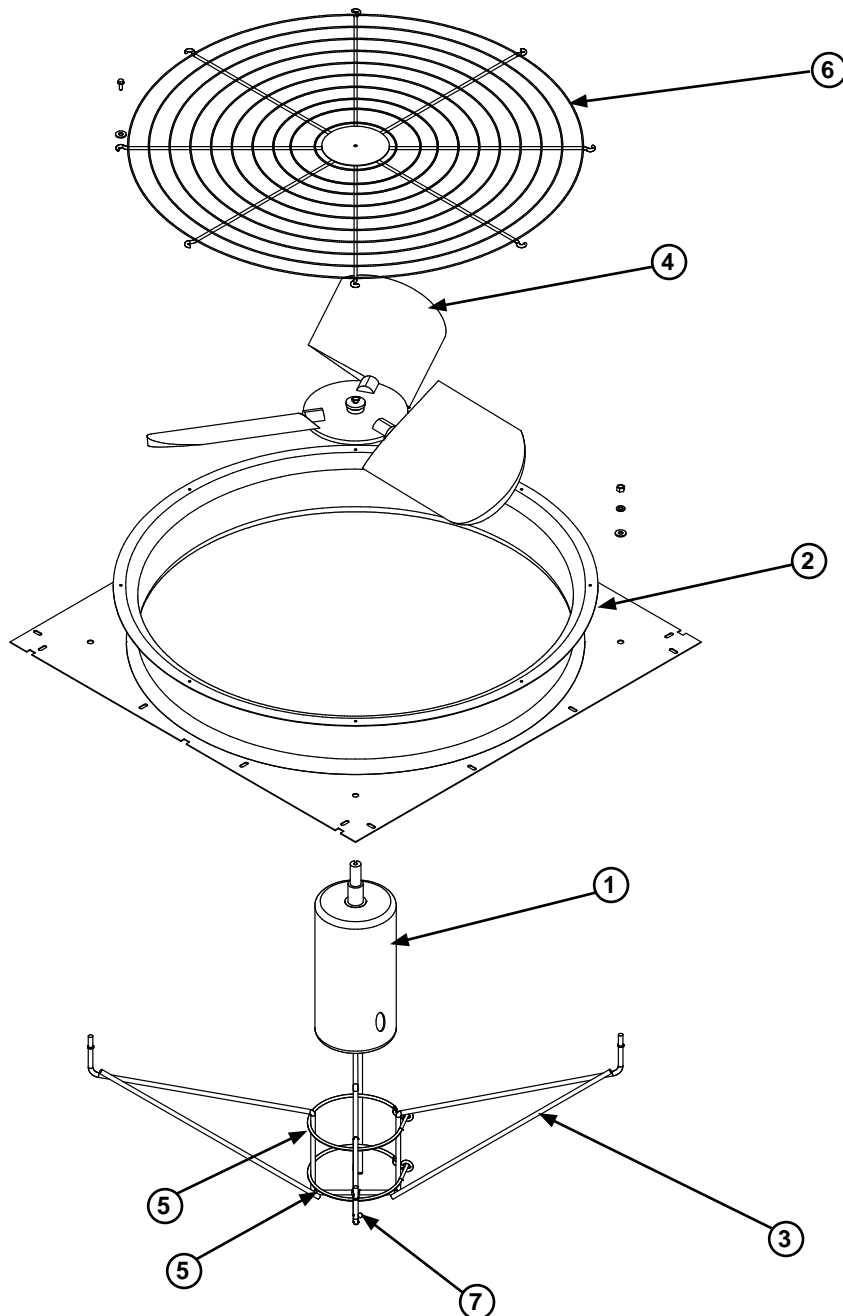
REPLACEABLE CORE
FILTER DRYER

LD14357

FIG. 59 - REFRIGERANT PIPING ASSEMBLIES

TABLE 109 - CONDENSER FAN ASSEMBLY

FIG	ITEM	DESCRIPTION	PART NUMBER	QTY
60	1	CONDENSER FAN MOTOR 208/230 VOLT	024-27322-106	4
60	1	CONDENSER FAN MOTOR 460 VOLT	024-27322-107	4
60	1	CONDENSER FAN MOTOR 575 VOLT	024-27322-102	4
60	2	CONDENSER FAN ORIFICE	026-36384-000	4
60	3	CONDENSER MOTOR SUPPORT	026-36366-000	4
60	4	FAN IMPELLER	026-41594 000	4
60	5	RING MOTOR SUPPORT	026-36367-000	8
60	6	FAN GUARD GRILLE	026-35605-000	4
60	7	HUB SQUARE	026-42633-000	4



LD14360

FIG. 60 - CONDENSER FAN ASSEMBLY

TABLE 110 - CONDENSER PANELS

FIG	ITEM	DESCRIPTION	PART NUMBER	QTY
61	1	WIRE GUARD SIDE	026-45049-000	6
61	2	WIRE GUARD END	026-45050-000	3
62	1	LOUVERED PANEL SIDE TOP	085-10008-050	6
62	2	LOUVERED PANEL SIDE BOTTOM	085-10008-051	6
62	3	LOUVERED PANEL END TOP	085-10008-052	3
62	4	LOUVERED PANEL END BOTTOM	085-10008-053	3
62	1	PERFORATED PANEL SIDE TOP	085-10008-060	6
62	2	PERFORATED PANEL SIDE BOTTOM	085-10008-061	6
62	3	PERFORATED PANEL END TOP	085-10008-062	3
62	4	PERFORATED PANEL END BOTTOM	085-10008-063	3

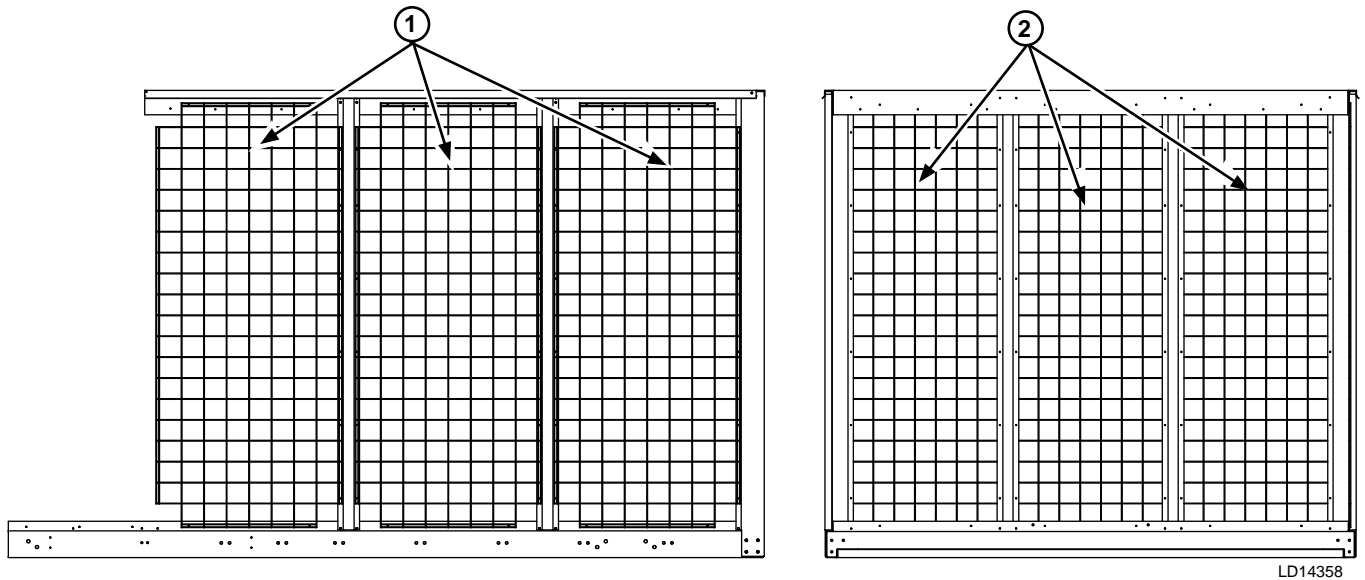


FIG. 61 - CONDENSER PANELS

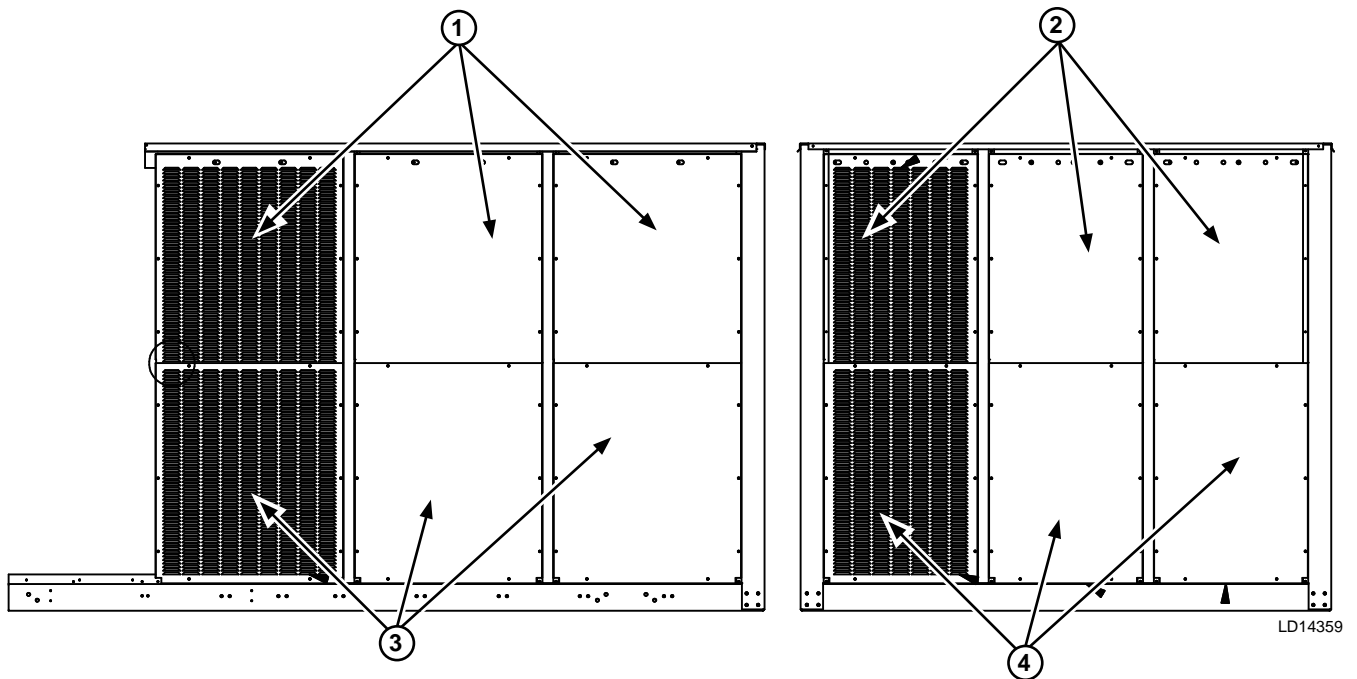
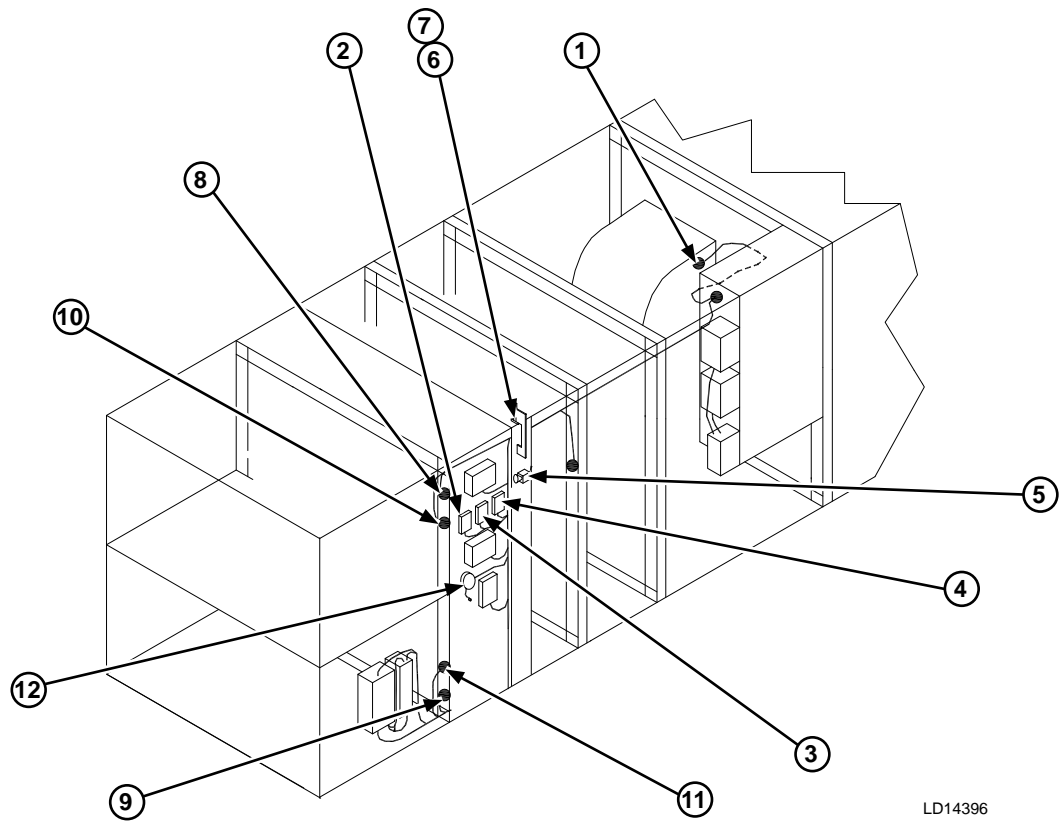


FIG. 62 - CONDENSER PANELS

TABLE 111 - TRANSDUCERS AND SENSORS

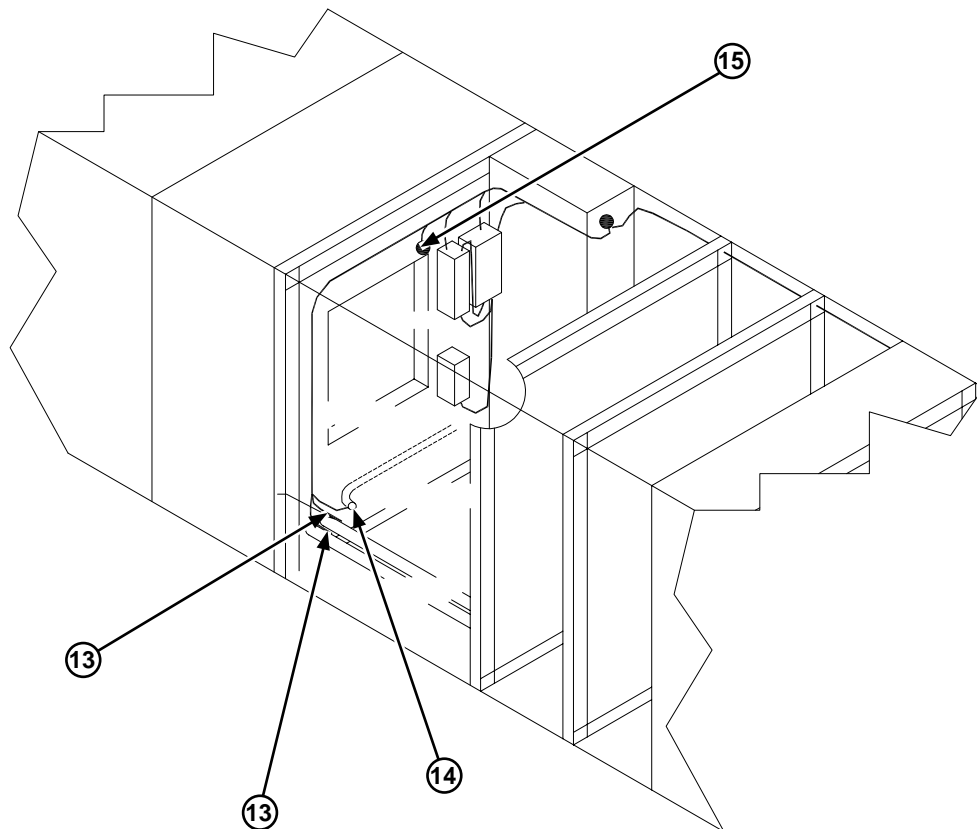
FIG	ITEM	DESCRIPTION	PART NUMBER
63	1	COOLING ONLY SUPPLY TEMPERATURE SENSOR	025-36434-001
63	1	STAGED HEAT ENTERING TEMP (IPU CNTL)	025-36434-001
63	2	DUCT STATIC TRANSDUCER (IPU CNTL)	025-42359-001
63	3	BUILDING PRESSURE TRANSDUCER (IPU CNTL)	025-42359-003
63	3	BUILDING PRESSURE TRANSDUCER (SIMPLICITY CNTL)	025-42359-002
63	4	RETURN FAN TRANSDUCER	025-42359-004
63	5	OUTDOOR AIR SENSOR (NO OUTDOOR AIR OPTION)	025-36548-000
63	6	ATMOSPHERIC REFERENCE PROBE	025-36186-000
63	7	ATMOSPHERIC REFERENCE MOUNTING BRACKET	085-10000-160
63	8	OUTDOOR TEMPERATURE SENSOR	025-36432-001
63	8	OUTDOOR TEMPERATURE AND HUMIDITY SENSOR	025-36433-001
63	9	RETURN AIR TEMPERATURE SENSOR	025-36432-001
63	9	RETURN AIR TEMPERATURE AND HUMIDITY SENSOR	025-36433-001
63	10	OUTDOOR CO2 SENSOR (IPU CNTL)	025-36461-000
63	10	OUTDOOR CO2 SENSOR (SIMPLICITY CNTL)	025-36461-010
63	11	RETURN AIR CO2 SENSOR (IPU CNTL)	025-36461-000
63	11	RETURN AIR CO2 SENSOR (SIMPLICITY CNTL)	025-36461-010
63	12	DIRTY FILTER SWITCH	025-36116-000
64	13	SUCTION LINE TEMPERATURE SENSORS (IPU CNTL)	025-36432-001
64	14	SUPPLY AIR TEMPERATURE SENSOR COOLING HEATING	025-36432-001
64	14	MIXED SUPPLY AIR TEMPERATURE SENSOR (FLEXSYS)	025-36432-001
64	15	AIR PROVING SWITCH	025-36115-001
47	16	FREEZESTAT	025-35787-002
65	17	FLEXSYS EVAPORATOR SENSORS	025-36434-001
*		4 STAGE THERMOSTAT (IPU CNTL)	025-36259-000
*		4 STAGE THERMOSTAT (SIMPLICITY CNTL)	025-42179-001
*		ZONE SENSOR WITHOUT ADJUSTMENT	031-02529-000

* Not shown in any figure



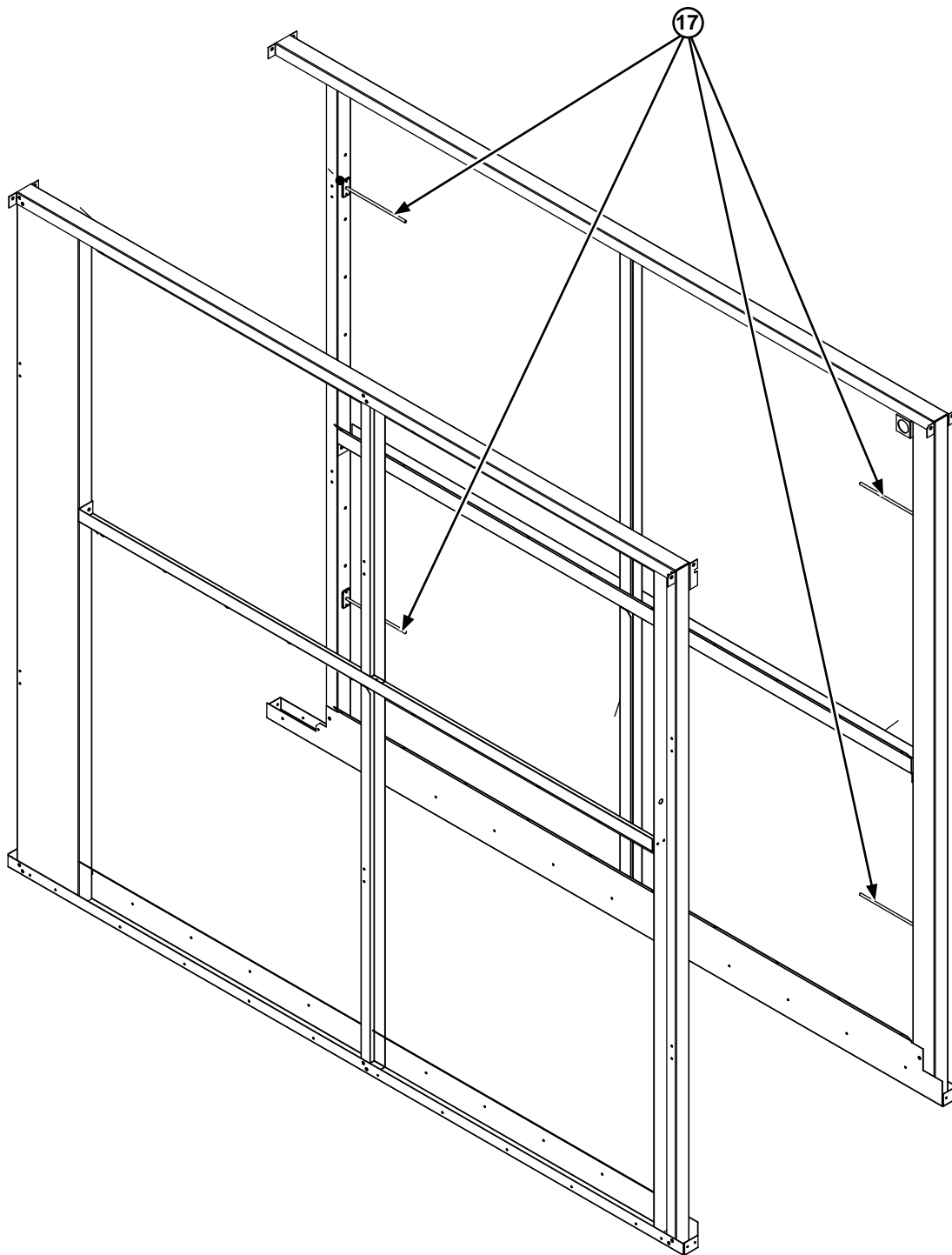
LD14396

FIG. 63 - TRANSDUCERS AND SENSORS



LD14395

FIG. 64 - TEMPERATUE SENSORS AND AIR PROVING SWITCH



LD14393

FIG. 65 - FLEXSYS EVAPORATOR SENSORS

