

Simplicity® Equipment and Controls Matrix

| | Simplicity 1 | Simplicity Intelli-Comfort | Simplicity Elite | Simplicity Wireless | Simplicity BRIDGE | Synthesys | JCI - 1126 | Honeywell W7750 | CPC | Novar ETC3 |
|---|--------------|----------------------------|------------------|---------------------|-------------------|-----------|------------|-----------------|-----|------------|
| 3 - 6 ton Sunline | S | O | N/A | O | O | N/A | O | O | O | O |
| 6.5 - 12.5 ton Predator | S | O | N/A | O | O | N/A | O | O | O | O |
| 15 - 25 ton Sunline | S | O | N/A | O | O | N/A | O | O | O | O |
| 15 - 25 ton Millennium Splits | S | N/A | N/A | O | O | N/A | N/A | N/A | N/A | N/A |
| S = Standard, O = Optional, N/A = Not Applicable | | | | | | | | | | |
| The Simplicity Wireless only operates with Simplicity 1 | | | | | | | | | | |
| Simplicity Intelli-Comfort is a complete Space Comfort Controller | | | | | | | | | | |
| Simplicity Wireless is for one way remote Alarming | | | | | | | | | | |
| Simplicity BRIDGE is used for two way remote Alarming | | | | | | | | | | |

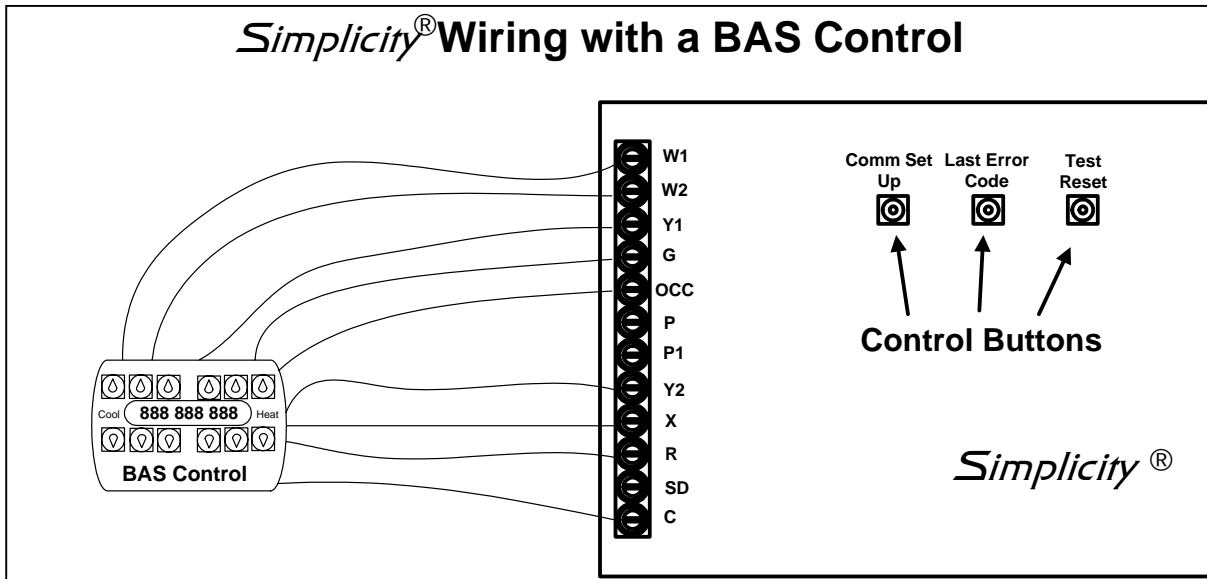


Figure 1

Any other BAS or EMS control will wire into the standard Simplicity® via the thermostat terminals on the board.

Simplicity® is compatible with all BAS or EMS controls.