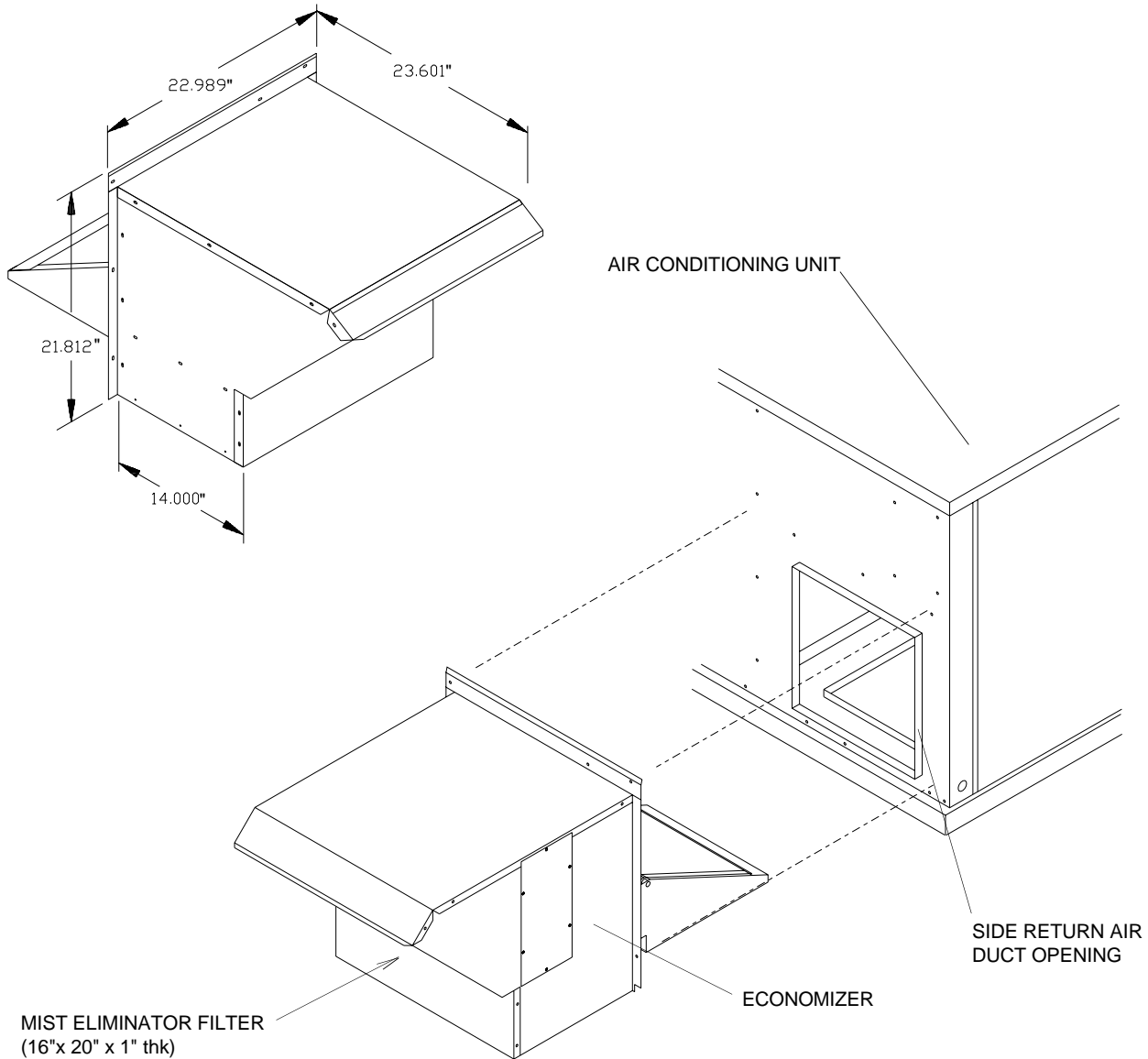


JOB NAME _____ LOCATION _____
PURCHASER _____ ORDER NO. _____
ENGINEER _____
SUBMITTED TO _____ FOR: Reference Approval Construction
SUBMITTED BY _____ DATE _____

UNIT DESIGNATION: Schedule No. _____ MODEL NO. _____



NOTE: The economizer is designed to attach to the air conditioning unit over the side return air duct opening and is used with all downshot applications. This economizer is completely factory assembled and is ready for field installation. See Page 2 for wiring diagram. Unit wiring shown as reference only. Refer to the unit wiring diagram for the actual wiring.

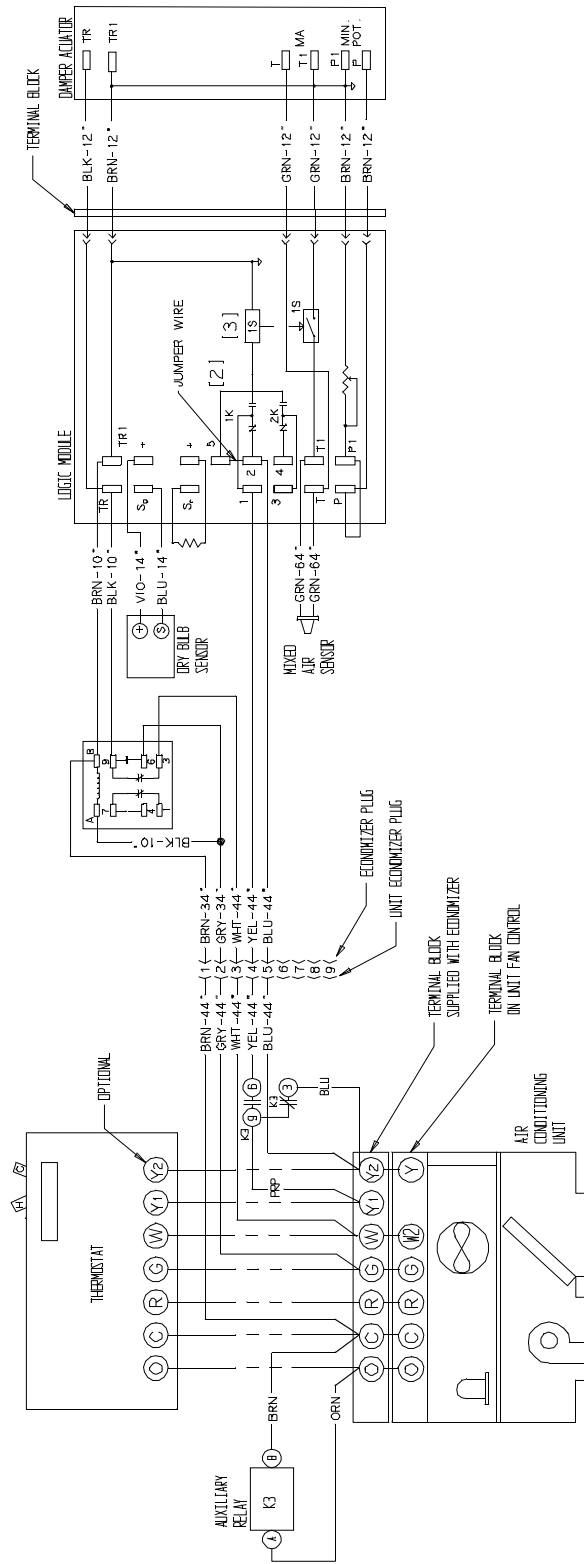
**ECONOMIZER
MODEL 2EE04703124**

(DOWN SUPPLY / RETURN APPLICATIONS)

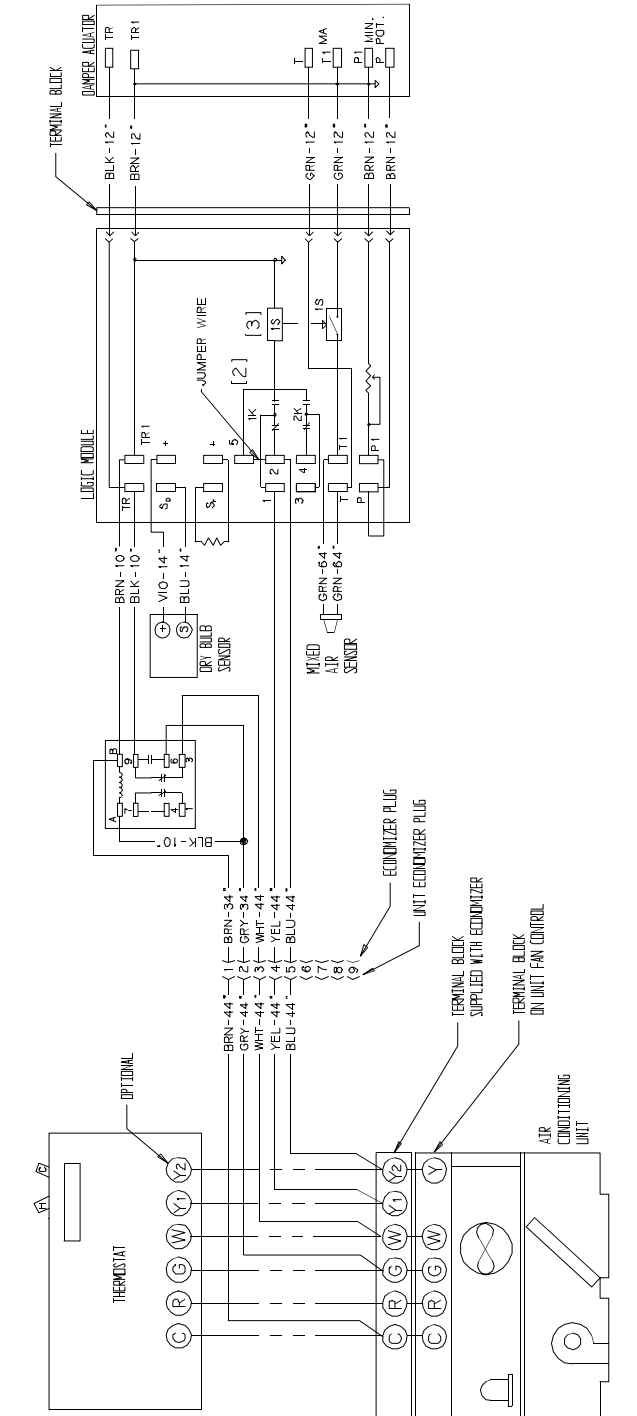
FORM 530.46-SD19Y (797)

Supersedes: Nothing





WIRING DIAGRAM FOR HEAT PUMP UNITS



WIRING DIAGRAM FOR COOLING AND GAS/ELECTRIC UNITS

Copyright © 1997 by Unitary Products Group - ALL RIGHTS RESERVED

NOTES: _____

